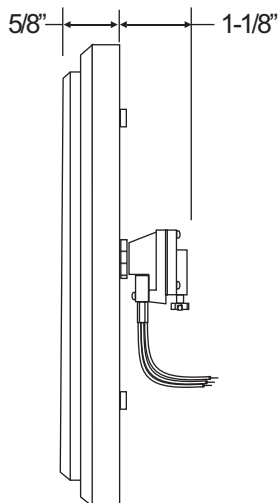


SPECIFICATIONS



DYNALOCK MODEL #6755 PUSHPLATE FEATURES:

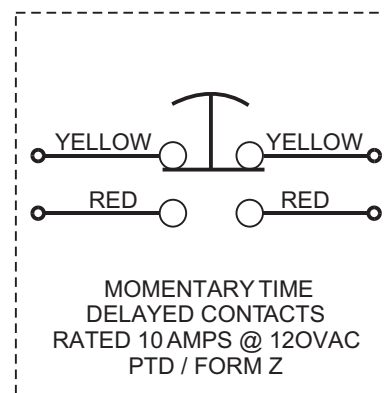
SOLID ALUMINUM PUSHPLATE WITH 2-60 SECOND TIME DELAYED MOMENTARY CONTACTS WITH ENGRAVED BLUE HANDICAPPED SYMBOL

SINGLE GANG RECESSED STYLE SOLID ALUMINUM FACEPLATE.

7" COLOR-CODED #18AWG WIRE LEAD TERMINATIONS.

WIRING INFORMATION

SCHEMATIC



TIME DELAY ADJUSTMENT

TIME DELAY ADJUSTMENT KNOB

BOTTOM VIEW



TURN CW TO INCREASE
TURN CCW TO DECREASE

TIME DELAY ADJUSTMENT
RANGE = 2 - 60 SECONDS



DynaLock Corporation
705 Emmett Street • Bristol, CT 06010
Tel: (860) 582-4761 • Fax: (860) 585-0338

Installation Instructions

DRWN: MJL Date: 08/25/08

CHK'D: JAS Date: 08/29/08

CHK'D: Date:

APPV'D: Date:

Title:

6755 PUSHPLATE, SINGLE GANG

Page
1 Of 1

Scale:
—

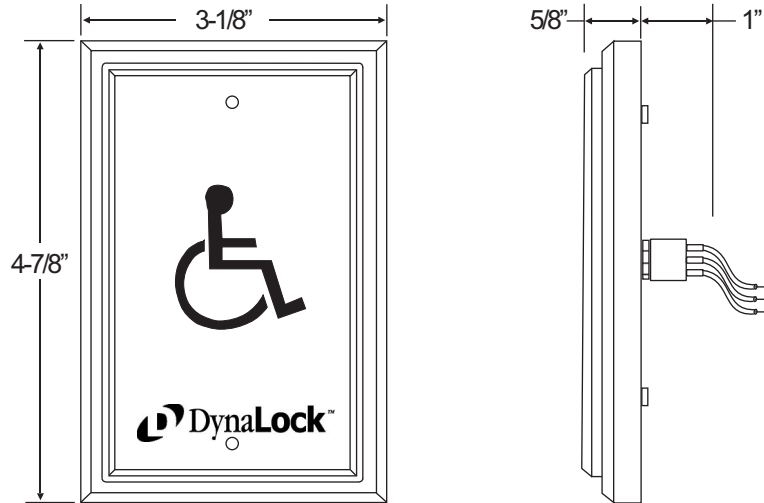
Size:
A

Drawing #:

600374

REV:
—

SPECIFICATIONS



DYNALOCK MODEL #6765 / 6775 PUSHPLATE FEATURES:

SOLID ALUMINUM PUSHPLATE WITH ENGRAVED BLUE HANDICAPPED SYMBOL

SINGLE GANG RECESSED STYLE SOLID ALUMINUM FACEPLATE.

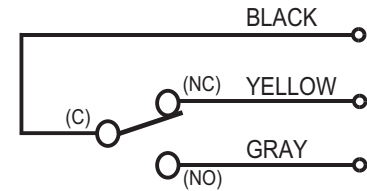
7" COLOR-CODED #18AWG WIRE LEAD TERMINATIONS.

6765 - SPDT / ALTERNATE-ACTION CONTACTS, RATED 6 AMPS @ 125VAC

6775 - DPDT / ALTERNATE-ACTION CONTACTS, RATED 6 AMPS @ 125VAC

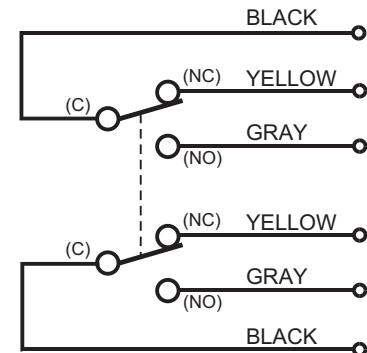
WIRING INFORMATION

MODEL #6765



SPDT ALTERNATE-ACTION CONTACTS RATED 6 AMPS @ 125VAC

MODEL #6775



DPDT ALTERNATE-ACTION CONTACTS RATED 6 AMPS @ 125VAC



DynaLock Corporation
705 Emmett Street • Bristol, CT 06010
Tel: (860) 582-4761 • Fax: (860) 585-0338

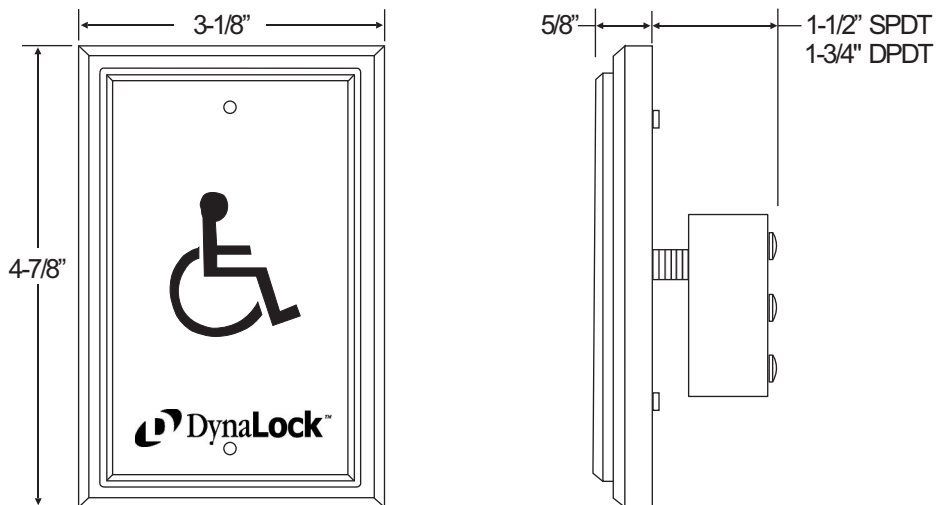
Installation Instructions

DRWN: MJL Date: 08/25/08
CHK'D: JAS Date: 08/29/08
CHK'D: Date:
APPV'D: Date:

Title: **6765 / 6775 PUSHPLATE SINGLE GANG**

Page 1 Of 1 Scale: — Size: A Drawing #: **600375** REV: —

SPECIFICATIONS



DYNALOCK MODEL #6785 / 6795 PUSHPLATE FEATURES:

SOLID ALUMINUM PUSHPLATE WITH ENGRAVED BLUE HANDICAPPED SYMBOL

SINGLE GANG RECESSED STYLE SOLID ALUMINUM FACEPLATE.

LABELED SCREW TERMINAL CONNECTIONS

6785 - SPDT / MOMENTARY CONTACTS, RATED 15 AMPS @ 125VAC

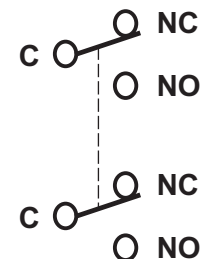
6785 - DPDT / MOMENTARY CONTACTS, RATED 10 AMPS @ 125VAC

WIRING INFORMATION

MODEL #6785 (SPDT)



MODEL #6795 (DPDT)



DynaLock Corporation
705 Emmett Street • Bristol, CT 06010
Tel: (860) 582-4761 • Fax: (860) 585-0338

Installation Instructions

DRWN:	MJL	Date:	08/25/08
CHK'D:	JAS	Date:	08/29/08
CHK'D:		Date:	
APPV'D:		Date:	

Title: **6785 / 6795 PUSHPLATE SINGLE GANG**

Page	Scale:	Size:	Drawing #:	REV:
1 Of 1	—	A	600376	