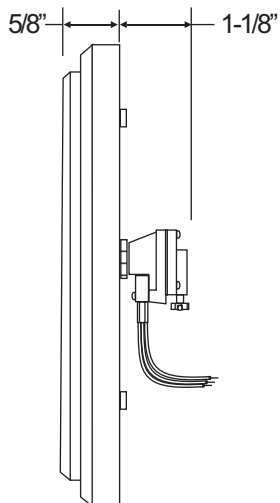


SPECIFICATIONS



DYNALOCK MODEL #6750 PUSHPLATE FEATURES:

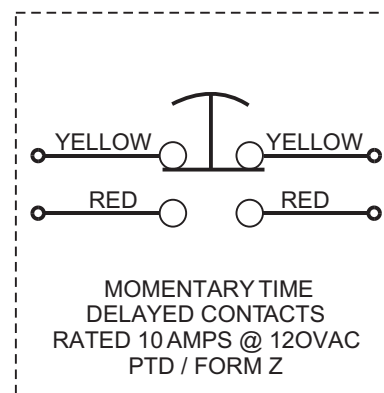
SOLID ALUMINUM PUSHPLATE WITH 2-60 SECOND TIME DELAYED MOMENTARY CONTACTS AND "PUSH TO EXIT" ENGRAVED SIGNAGE.

SINGLE GANG RECESSED STYLE SOLID ALUMINUM FACEPLATE.

7" COLOR-CODED #18AWG WIRE LEAD TERMINATIONS.

WIRING INFORMATION

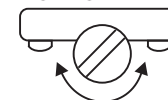
SCHEMATIC



TIME DELAY ADJUSTMENT

TIME DELAY ADJUSTMENT KNOB

BOTTOM VIEW



TURN CW TO INCREASE
TURN CCW TO DECREASE

TIME DELAY ADJUSTMENT
RANGE = 2 - 60 SECONDS



DynaLock Corporation
705 Emmett Street • Bristol, CT 06010
Tel: (860) 582-4761 • Fax: (860) 585-0338

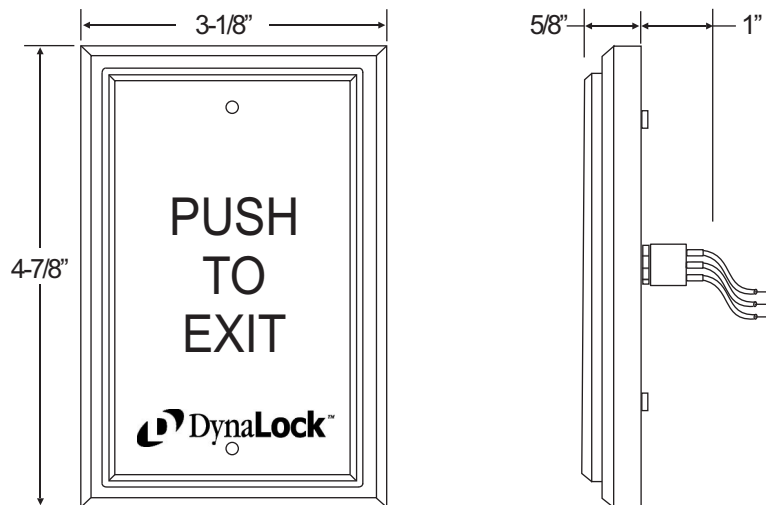
Installation Instructions

| | |
|---------|----------|
| DRWN: | Date: |
| MJL | 08/25/08 |
| CHK'D: | Date: |
| JAS | 08/29/08 |
| CHK'D: | Date: |
| APPV'D: | Date: |

Title:
6750 PUSHPLATE, SINGLE GANG

| | | | | |
|--------|--------|-------|------------|------|
| Page | Scale: | Size: | Drawing #: | REV: |
| 1 Of 1 | — | A | 600371 | — |

SPECIFICATIONS



DYNALOCK MODEL #6751 / 6752 PUSHPLATE FEATURES:

SOLID ALUMINUM PUSHPLATE WITH "PUSH TO EXIT" ENGRAVED SIGNAGE.

SINGLE GANG RECESSED STYLE SOLID ALUMINUM FACEPLATE.

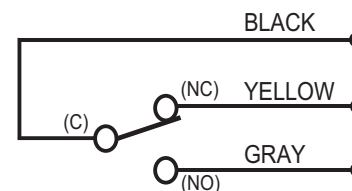
7" COLOR-CODED #18AWG WIRE LEAD TERMINATIONS.

6751 - SPDT / ALTERNATE-ACTION CONTACTS, RATED 6 AMPS @ 125VAC

6752 - DPDT / ALTERNATE-ACTION CONTACTS, RATED 6 AMPS @ 125VAC

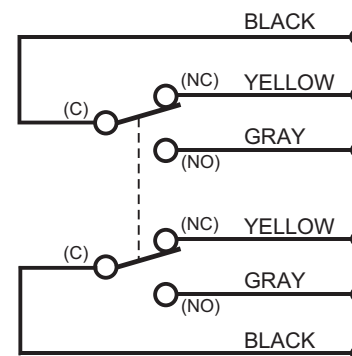
WIRING INFORMATION

MODEL #6751



SPDT ALTERNATE-ACTION CONTACTS RATED 6 AMPS @ 125VAC

MODEL #6752



DPDT ALTERNATE-ACTION CONTACTS RATED 6 AMPS @ 125VAC



DynaLock Corporation
705 Emmett Street • Bristol, CT 06010
Tel: (860) 582-4761 • Fax: (860) 585-0338

Installation Instructions

DRWN: MJL Date: 08/25/08

CHK'D: JAS Date: 08/29/08

CHK'D: Date:

APPV'D: Date:

Title: 6751 / 6752 PUSHPLATE SINGLE GANG

Page 1 Of 1

Scale: —

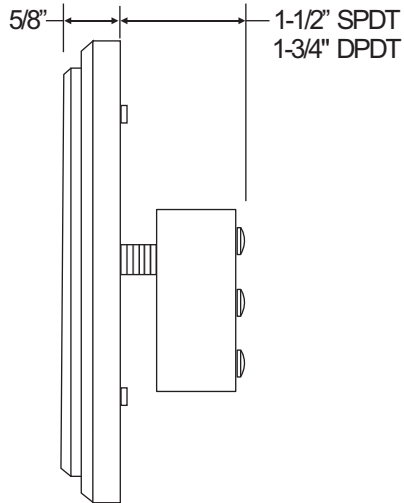
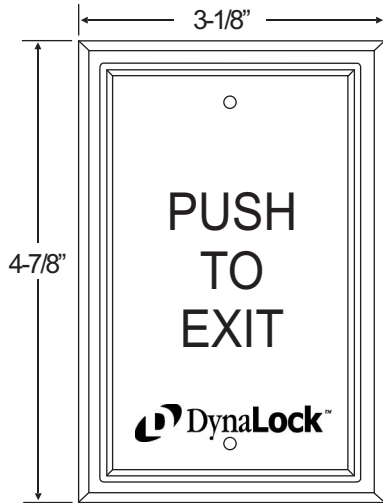
Size: A

Drawing #:

600372

REV: —

SPECIFICATIONS

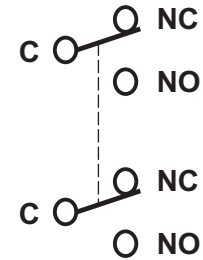


WIRING INFORMATION

MODEL #6753 (SPDT)



MODEL #6754 (DPDT)



DYNALOCK MODEL #6753 / 6754 PUSHPLATE FEATURES:

SOLID ALUMINUM PUSHPLATE WITH "PUSH TO EXIT" ENGRAVED SIGNAGE.

SINGLE GANG RECESSED STYLE SOLID ALUMINUM FACEPLATE.

LABELED SCREW TERMINAL CONNECTIONS

6753 - SPDT / MOMENTARY CONTACTS, RATED 15 AMPS @ 125VAC

6754 - DPDT / MOMENTARY CONTACTS, RATED 10 AMPS @ 125VAC



DynaLock Corporation
705 Emmett Street • Bristol, CT 06010
Tel: (860) 582-4761 • Fax: (860) 585-0338

Installation Instructions

| | | | |
|---------|-----|-------|----------|
| DRWN: | MJL | Date: | 08/25/08 |
| CHK'D: | JAS | Date: | 08/29/08 |
| CHK'D: | | Date: | |
| APPV'D: | | Date: | |

Title: **6753 / 6754 PUSHPLATE SINGLE GANG**

| | | | | |
|--------|--------|-------|------------|------|
| Page | Scale: | Size: | Drawing #: | REV: |
| 1 Of 1 | — | A | 600373 | |