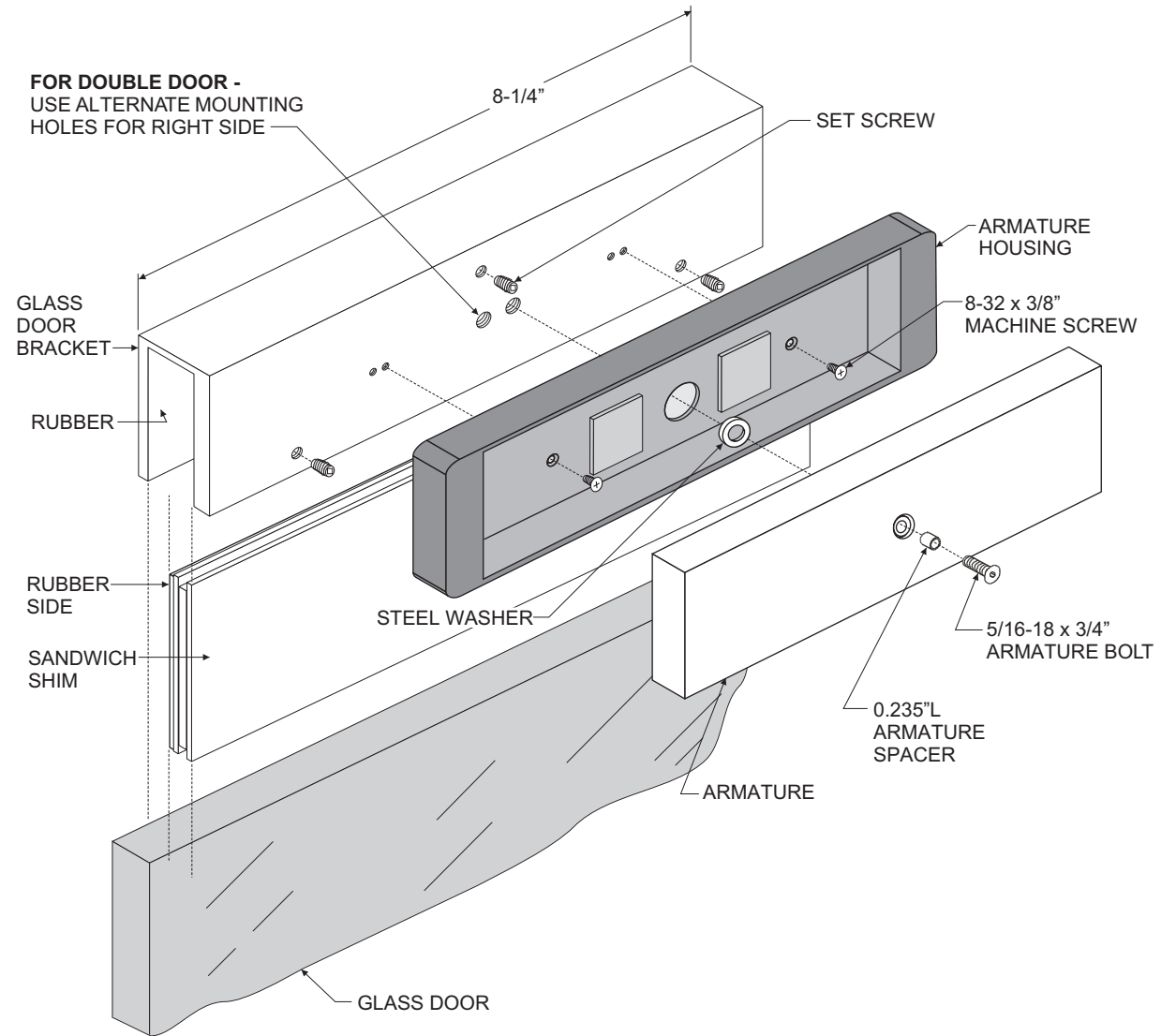


**SHIM SELECTION**  
**FOR 1/2" (12mm) DOOR -**  
 AS SHOWN  
**FOR 3/8" (10mm) DOOR -**  
 AS SHOWN PLUS ADDITIONAL  
 SINGLE SHIM (INSERT TO THE  
 RIGHT OF SANDWICH SHIM)  
**FOR 3/4" (18mm) DOOR -**  
 USE SINGLE SHIM INSTEAD  
 OF SANDWICH

**INSTALLATION INSTRUCTIONS**

- Using the template included with the maglock, decide on a location for the lock. Mark the edges of the template on the frame.
- Place the glass door bracket over the door, centered between the marks made in step 1. Place appropriate shim(s) inside the bracket, as shown in above drawing.
- Firmly tighten the 3 set screws on bracket with the 1/8" ball-head hex wrench supplied.
- With the door closed, place the folded template from step 1 against the header and glass door bracket. Mark mounting holes for the lock on the frame.
- Mount the armature housing to bracket as shown.
- Mount the armature to the housing/bracket as shown. Firmly tighten using a 3/16" hex wrench.
- Mount the maglock to the frame, following the included instructions.
- Make sure the armature is centered squarely on the magnet section of the lock.  
 If necessary, move the glass door bracket or lock until the armature and magnet are properly aligned.

**TYPICAL SINGLE LOCK INSTALLATION SHOWN**



**FOR USE WITH 2585 SERIES**

Failure to properly secure the armature and set screws could result in serious injury or possible security breach.



DynaLock Corporation  
 705 Emmett Street • Bristol, CT 06010  
 Tel: (860) 582-4761 • Fax: (860) 585-0338

*Installation  
 Drawing*

|         |         |
|---------|---------|
| DRWN:   | Date:   |
| MJL     | 8/07/07 |
| CHK'D:  | Date:   |
| MJL     | 8/07/07 |
| CHK'D:  | Date:   |
| APPV'D: | Date:   |

|   |        |       |            |      |
|---|--------|-------|------------|------|
| Title:  |        |       |            |      |
| <b>MODEL 4855 GLASS DOOR BRACKET<br/>   INSTALLATION INSTRUCTIONS</b> |        |       |            |      |
| Page  | Scale: | Size: | Drawing #: | REV: |
| 1 Of 1  | —      | A     | 400168     |      |