

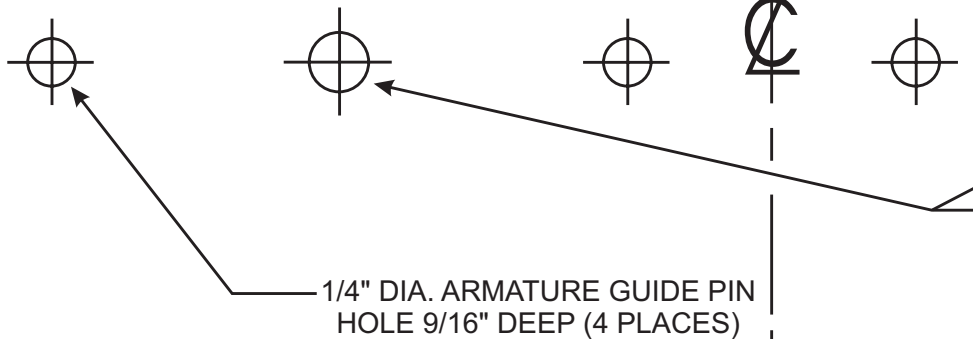
PRINTING INSTRUCTIONS: SET PAGE SCALING TO NONE. ATTACH PAGES 1&2 AT CENTERLINE.



PLACE AGAINST HEADER

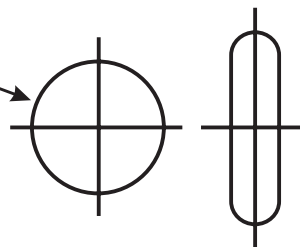
DRILL AND TAP FOR 1/4"-20
MACHINE SCREW - 1" DEEP
OR
3/16" DRILL FOR #14 SHEET
METAL SCREW - 1" DEEP
(2 PLACES - SEE INSTRUCTIONS)

#2268-15 SERIES ELECTROMAG



PLACE AGAINST HEADER

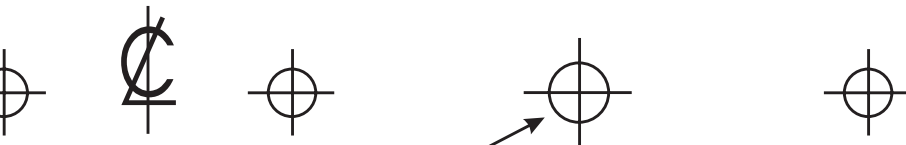
11/16" DIA. WIRING HOLE
(AS REQUIRED)



PLACE ON CENTER LINE OF DOOR OPENING

FOLD ON DOTTED LINE

ES ELECTROMAGNETIC LOCK



11/32" DRILL FOR THRU BOLT MOUNTING
OR
5/16"-18 TAP FOR MOUNTING ON
REINFORCED DOOR ONLY
(SEE INSTRUCTIONS)

GUIDE PIN
PLACES)