

# 1800 Series

## Fire-Labeled Heavy-Duty Electric Strikes



1814



1819



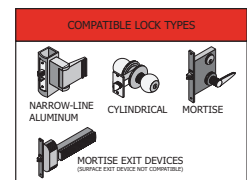
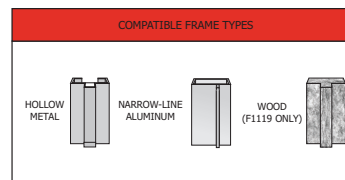
### Description

DynaLock 1800 Series Fire-Labeled Heavy-Duty Electric Strikes accommodate cylindrical, centerline mortise, and narrow-line aluminum locksets, along with mortise exit devices, with up to a 3/4" latch projection (non-Pullman type). All models are non-handed, feature horizontal adjustability (up to 1/4"), internal solenoid and a heavy duty, cast stainless steel (US32D) housing. Additionally a concealed pry-guard and saddle-mount housing design enhance strength, durability and tamper resistance. Fail-secure lock mode is standard and 12V and 24V models accept AC/DC input. Choice of ANSI 4-7/8" x 1-1/4" (1814) or 9" x 1-3/8" (1819) faceplates. All models are Fire-Labeled, UL 10C (1-1/2 hr) and UL 1034 Burglary-resistant.

Typical applications include fire rated doors in most commercial, industrial, institutional, retail, health care facilities and office complexes.

### Standard Features

- Fire-Labeled - UL10C (1-1/2Hr.)
- UL 1034 Burglary Resistant
- Non-Handed
- Meets ANSI/BHMA A156.31 Grade 1
- US32D Stainless Steel Cast Housing
- Integral Tamper-Resistant Pry Guard
- Accommodates 3/4" Latch Projection (Non-Pullman)
- 12V and 24V Models Accept AC/DC Input
- Static Strength: 1500Lbs
- Endurance Rating: 250,000 Cycles
- Great For Heavy-Duty Applications
- Horizontal Adjustment - Up To 1/4" (6.4mm)
- Unique Anti-Vibration Design
- 5 Year Limited Warranty

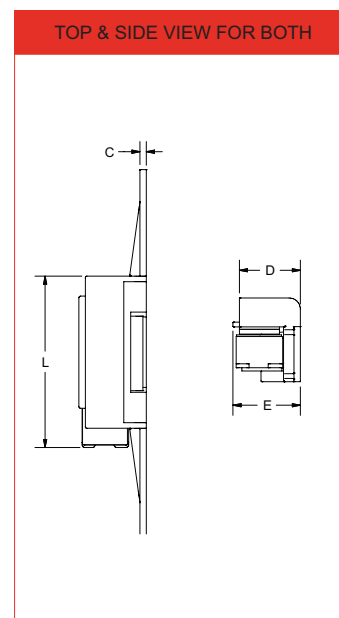
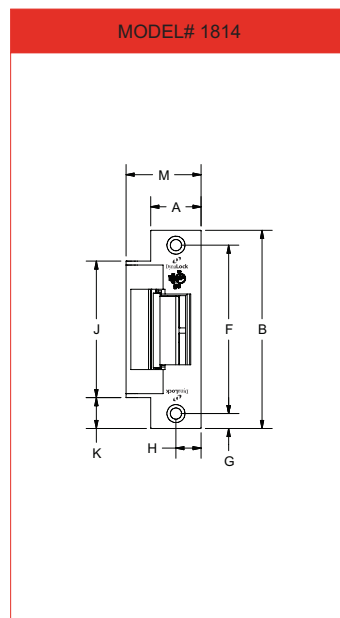
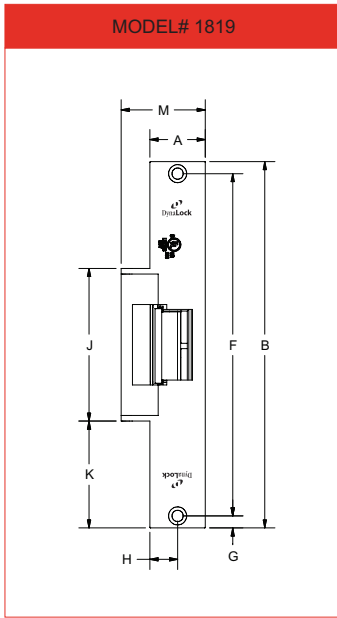


# LIFE SAFETY PRODUCTS

FULLY INTEGRATED SECURITY SYSTEMS

Electromagnetic Locks | Controls | Power Supplies

# 1800 Series Fire-Labeled Heavy Duty Electric Strikes Specifications



PROFILE MEASUREMENT	1814 INCHES	1819 INCHES	1814 METRIC (mm)	1819 METRIC (mm)
A	1-1/4	1-3/8	31.3	34.3
B	4-7/8	9	123.3	228.0
C	1/8	3/16	3.2	4
D	1-1/2	1-1/2	38.0	38.0
E	1-5/8	1-5/8	42.0	42.0
F	4-1/8	8-3/8	104.8	213.0
G	3/8	5/16	9.3	7.5
H	5/8	11/16	15.6	17.2
J	3-3/8	3-3/4	85.0	95.0
K	3/4	2-5/8	19.2	66.5
L	4	4-3/16	102.0	107.0
M	1-13/16	2-1/16	46.6	52.3

MODEL	MODE	VOLTAGE	CURRENT	DUTY	SOUND	AMPS*	OHMS**
1814-12	FAIL LOCKED	12V	AC	INTERMITTENT	BUZZ	0.15	61
		12V	DC	CONTINUOUS	SILENT	0.20	61
1814-24	FAIL LOCKED	24V	AC	INTERMITTENT	BUZZ	0.07	215
		24V	DC	CONTINUOUS	SILENT	0.11	215
1819-12	FAIL LOCKED	12V	AC	INTERMITTENT	BUZZ	0.15	61
		12V	DC	CONTINUOUS	SILENT	0.20	61
1819-24	FAIL LOCKED	24V	AC	INTERMITTENT	BUZZ	0.07	215
		24V	DC	CONTINUOUS	SILENT	0.11	215

\*Ratings are based on maximum current draw at +10°C and include initial power-up current draw. \*\*Nominal resistance at +25°C ± % tolerance.

NOTE: Intermittent Duty = Energized less than 1 minute.  
Continuous Duty = Energized 1 minute or more. Duty Ratio 1:5.

**DYNALOCK CORPORATION**  
705 EMMETT STREET / PO BOX 2728  
BRISTOL, CT 06011-2728  
PHONE: 877-DYNALOCK / FAX: 860-585-0338  
E-MAIL: INFO@DYNALOCK.COM  
WEBSITE: WWW.DYNALOCK.COM

Featuring  
  
**DynaLife**<sup>®</sup>  
 Lifetime Warranty