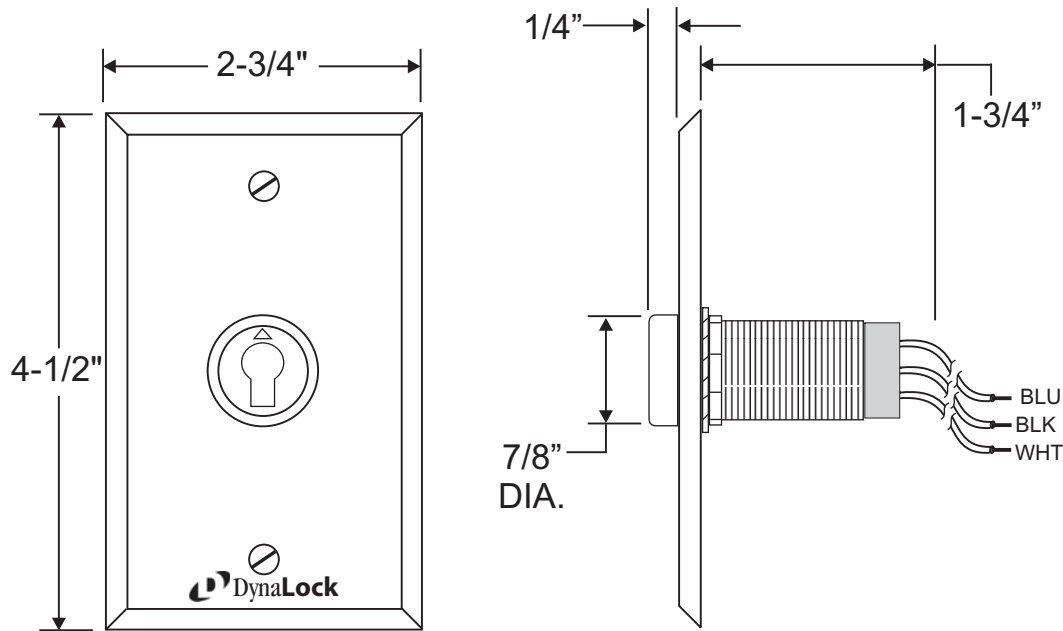


SPECIFICATIONS



DYNALOCK #7050 KEY SWITCH FEATURES:

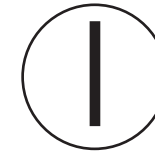
7/8" DIA. STAINLESS STEEL KEY SWITCH ON SINGLE-GANG BRUSHED STAINLESS STEEL FACEPLATE.

5" COLOR-CODED #22AWG WIRE LEAD TERMINATIONS.

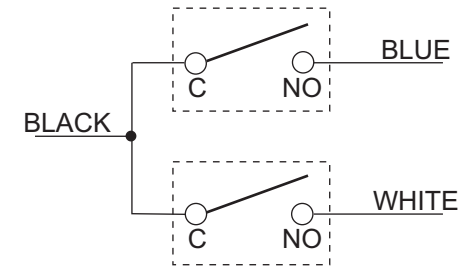
(1) MOMENTARY CONTACT, (1) MAINTAINED CONTACT BOTH RATED 4A @ 125VAC MAX.

WIRING INFORMATION

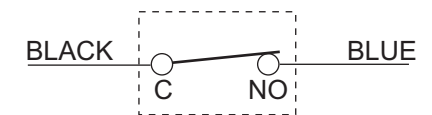
KEY POSITION



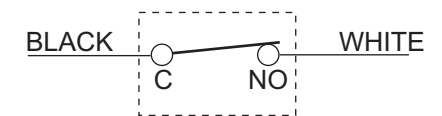
CONTACTS



OFF - BOTH SETS OPEN



MAINTAINED COUNTER-CLOCKWISE



MOMENTARY - CLOCKWISE

DynaLock
705 Emmett Street
Bristol, CT 06010

TITLE
SERIES #7050 KEY SWITCH STATION

DRN. BY MJL
DATE 09/22/05
SCALE

DWG. NO.
700159