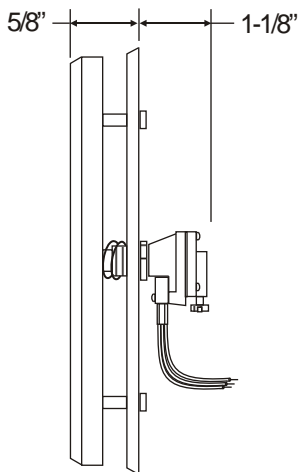
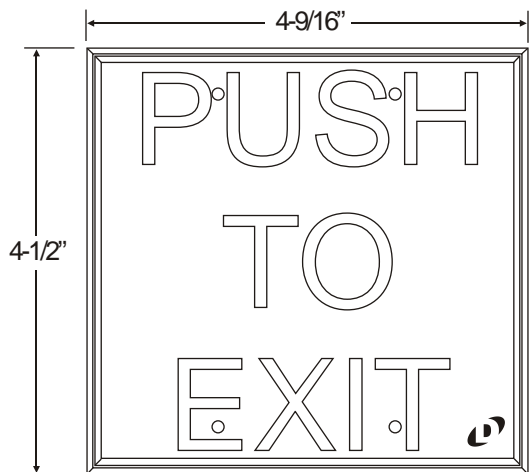


SPECIFICATIONS



DYNALOCK MODEL #6901 PUSHPLATE FEATURES:

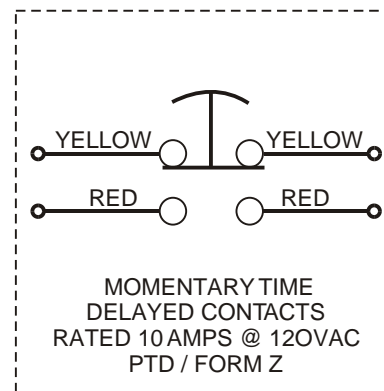
DOUBLE GANG RED ANODIZED ALUMINUM PUSHPLATE WITH "PUSH TO EXIT" ENGRAVED SIGNAGE: WHITE, 1" HEIGHT, 1/8" STROKE

2-60 SECOND TIME DELAYED MOMENTARY CONTACTS

7" COLOR-CODED #18AWG WIRE LEAD TERMINATIONS

WIRING INFORMATION

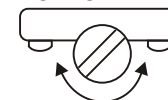
SCHEMATIC



TIME DELAY ADJUSTMENT

TIME DELAY ADJUSTMENT KNOB

BOTTOM VIEW



TURN CW TO INCREASE
TURN CCW TO DECREASE

TIME DELAY ADJUSTMENT
RANGE = 2 - 60 SECONDS



DynaLock Corporation
705 Emmett Street • Bristol, CT 06010
Tel: (860) 582-4761 • Fax: (860) 585-0338

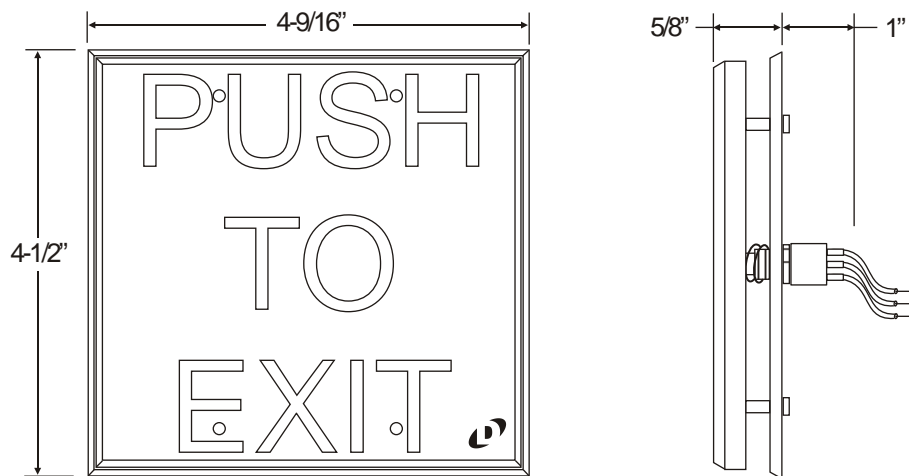
Installation Instructions

DRWN:	Date:
MJL	10/29/07
CHK'D:	Date:
CHK'D:	Date:
APPV'D:	Date:

Title:
6901 PUSHPLATE, DOUBLE GANG

Page	Scale:	Size:	Drawing #:	REV:
1 Of 1	—	A	600351	—

SPECIFICATIONS



DYNALOCK MODEL #6911 / 6921 PUSHPLATE FEATURES:

DOUBLE GANG RED ANODIZED ALUMINUM PUSHPLATE WITH "PUSH TO EXIT" ENGRAVED SIGNAGE: WHITE, 1" HEIGHT, 1/8" STROKE

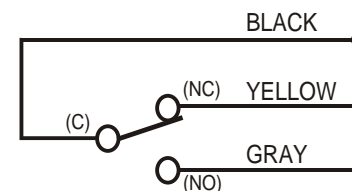
7" COLOR-CODED #18AWG WIRE LEAD TERMINATIONS.

6911 - SPDT / ALTERNATE-ACTION CONTACTS, RATED 6 AMPS @ 125VAC

6921 - DPDT / ALTERNATE-ACTION CONTACTS, RATED 6 AMPS @ 125VAC

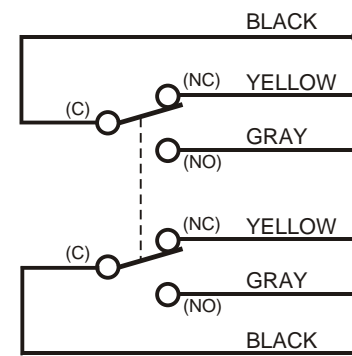
WIRING INFORMATION

MODEL #6911



SPDT ALTERNATE-ACTION CONTACTS RATED 6 AMPS @ 125VAC

MODEL #6921



DPDT ALTERNATE-ACTION CONTACTS RATED 6 AMPS @ 125VAC



DynaLock Corporation
705 Emmett Street • Bristol, CT 06010
Tel: (860) 582-4761 • Fax: (860) 585-0338

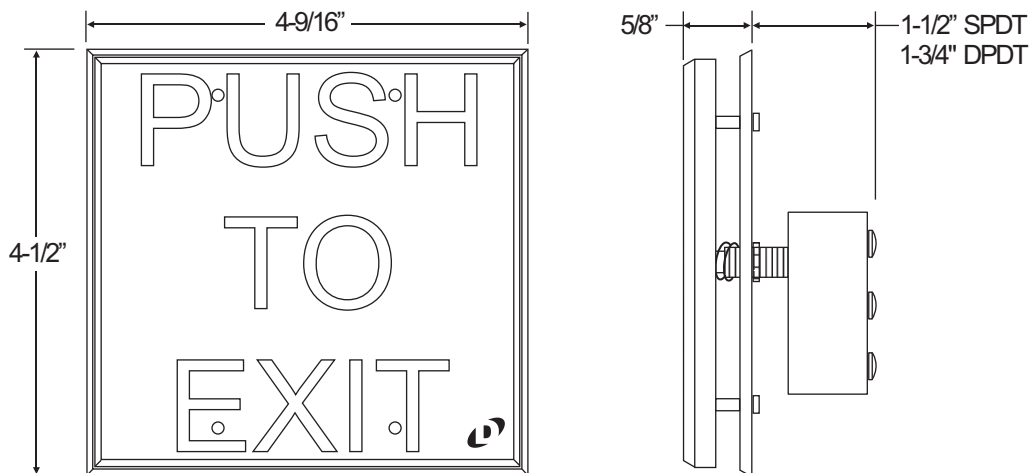
Installation Instructions

DRWN:	Date:
MJL	10/29/07
CHK'D:	Date:
CHK'D:	Date:
APPV'D:	Date:

Title: **6911 / 6921 PUSHPLATE DOUBLE GANG**

Page	Scale:	Size:	Drawing #:	REV:
1 Of 1	—	A	600352	—

SPECIFICATIONS



DYNALOCK MODEL #6931 / 6941 PUSHPLATE FEATURES:

DOUBLE GANG RED ANODIZED ALUMINUM PUSHPLATE WITH "PUSH TO EXIT" ENGRAVED SIGNAGE: WHITE, 1" HEIGHT, 1/8" STROKE

LABELED SCREW TERMINAL CONNECTIONS

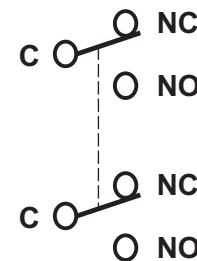
6931 - SPDT / MOMENTARY CONTACTS, RATED 15 AMPS @ 125VAC
 6941 - DPDT / MOMENTARY CONTACTS, RATED 10 AMPS @ 125VAC

WIRING INFORMATION

MODEL #6931 (SPDT)



MODEL #6941 (DPDT)



DynaLock Corporation
 705 Emmett Street • Bristol, CT 06010
 Tel: (860) 582-4761 • Fax: (860) 585-0338

Installation Instructions

DRWN:	Date:
MJL	06/09/08
CHK'D:	Date:
JAS	06/10/08
CHK'D:	Date:
APPV'D:	Date:

Title: **6931 / 6941 PUSHPLATE
 DOUBLE GANG**

Page	Scale:	Size:	Drawing #:	REV:
1 Of 1	—	A	600353	A