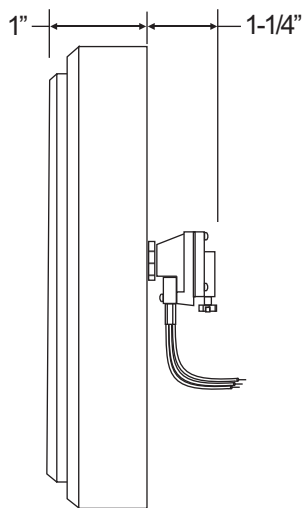


# SPECIFICATIONS



## DYNALOCK MODEL #6855 PUSHPLATE FEATURES:

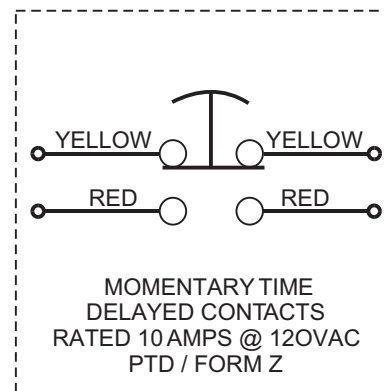
SOLID ALUMINUM PUSHPLATE WITH 2-60 SECOND TIME DELAYED MOMENTARY CONTACTS WITH ENGRAVED BLUE HANDICAPPED SYMBOL

NARROW RECESSED STYLE SOLID ALUMINUM FACEPLATE.

7" COLOR-CODED #18AWG WIRE LEAD TERMINATIONS.

# WIRING INFORMATION

## SCHEMATIC



## TIME DELAY ADJUSTMENT

TIME DELAY ADJUSTMENT KNOB

BOTTOM VIEW



TURN CW TO INCREASE  
TURN CCW TO DECREASE

TIME DELAY ADJUSTMENT  
RANGE = 2 - 60 SECONDS



DynaLock Corporation  
705 Emmett Street • Bristol, CT 06010  
Tel: (860) 582-4761 • Fax: (860) 585-0338

*Installation Instructions*

DRWN: MJL Date: 08/25/08

CHK'D: JAS Date: 08/29/08

CHK'D: Date:

APPV'D: Date:

Title:

**6855 PUSHPLATE, NARROW**

Page  
1 Of 1

Scale:

Size:

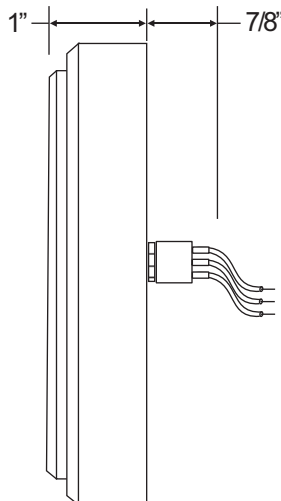
Drawing #:

**600377**

REV:

—

# SPECIFICATIONS



## DYNALOCK MODEL #6865 / 6875 PUSHPLATE FEATURES:

SOLID ALUMINUM PUSHPLATE WITH ENGRAVED BLUE HANDICAPPED SYMBOL

NARROW RECESSED STYLE SOLID ALUMINUM FACEPLATE.

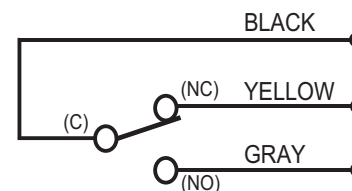
7" COLOR-CODED #18AWG WIRE LEAD TERMINATIONS.

6865 - SPDT / ALTERNATE-ACTION CONTACTS, RATED 6 AMPS @ 125VAC

6875 - DPDT / ALTERNATE-ACTION CONTACTS, RATED 6 AMPS @ 125VAC

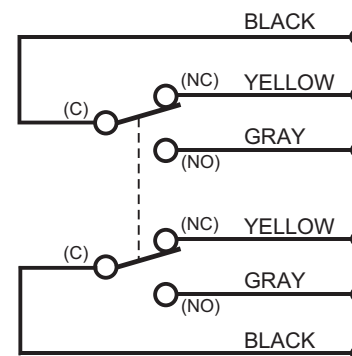
# WIRING INFORMATION

## MODEL #6865



SPDT ALTERNATE-ACTION CONTACTS RATED 6 AMPS @ 125VAC

## MODEL #6875



DPDT ALTERNATE-ACTION CONTACTS RATED 6 AMPS @ 125VAC



DynaLock Corporation  
705 Emmett Street • Bristol, CT 06010  
Tel: (860) 582-4761 • Fax: (860) 585-0338

## Installation Instructions

DRWN: MJL Date: 08/25/08

CHK'D: Date:

CHK'D: Date:

APPV'D: Date:

Title: 6865 / 6875 PUSHPLATE NARROW

Page 1 Of 1

Scale: —

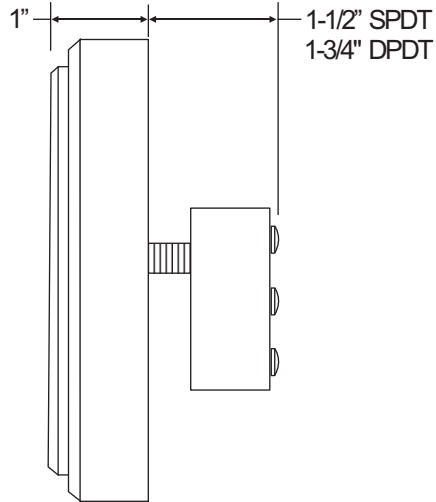
Size: A

Drawing #: 600378

REV: —

# SPECIFICATIONS

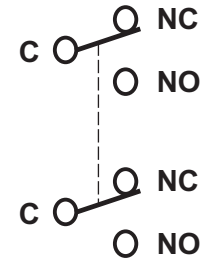
# WIRING INFORMATION



## MODEL #6885 (SPDT)



## MODEL #6895 (DPDT)



### DYNALOCK MODEL #6885 / 6895 PUSHPLATE FEATURES:

SOLID ALUMINUM PUSHPLATE WITH ENGRAVED BLUE HANDICAPPED SYMBOL

NARROW RECESSED STYLE SOLID ALUMINUM FACEPLATE.

LABELED SCREW TERMINAL CONNECTIONS

6885 - SPDT / MOMENTARY CONTACTS, RATED 15 AMPS @ 125VAC

6895 - DPDT / MOMENTARY CONTACTS, RATED 10 AMPS @ 125VAC



DynaLock Corporation  
705 Emmett Street • Bristol, CT 06010  
Tel: (860) 582-4761 • Fax: (860) 585-0338

### Installation Instructions

DRWN: MJL Date: 08/25/08  
CHK'D: JAS Date: 08/29/08  
CHK'D: Date:  
APPV'D: Date:

Title: **6885 / 6895 PUSHPLATE NARROW**

Page 1 Of 1 Scale: — Size: A Drawing #: **600379** REV: