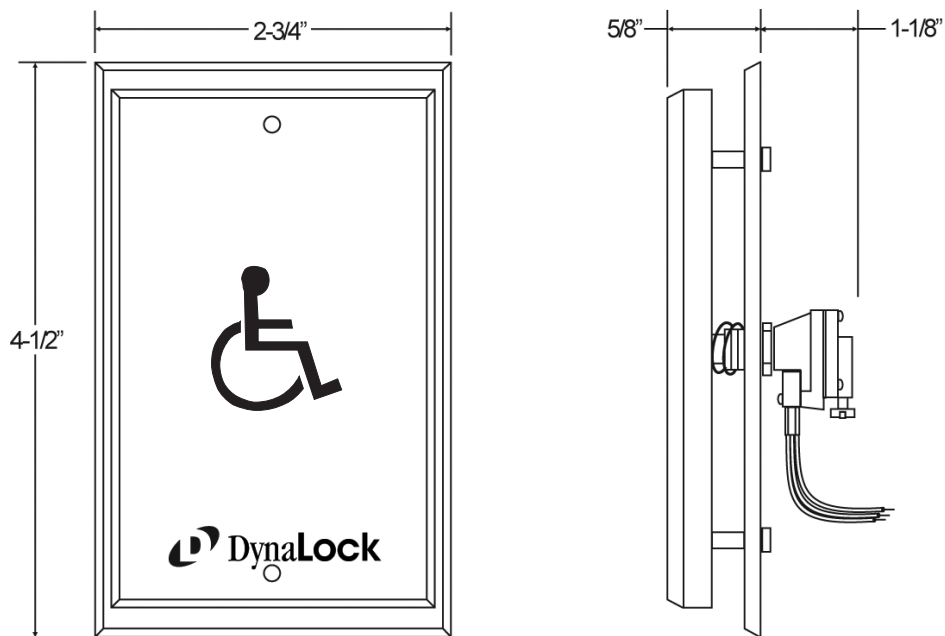


# SPECIFICATIONS



## DYNALOCK MODEL #6705 PUSHPLATE FEATURES:

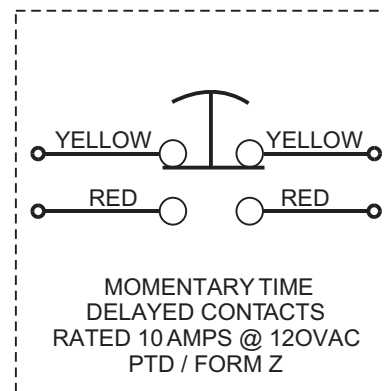
2-5/8" x 4" SOLID ALUMINUM PUSHPLATE WITH 2-60 SECOND TIME DELAYED MOMENTARY CONTACTS AND ENGRAVED BLUE HANDICAPPED SYMBOL

SINGLE GANG SOLID ALUMINUM FACEPLATE.

7" COLOR-CODED #18AWG WIRE LEAD TERMINATIONS.

# WIRING INFORMATION

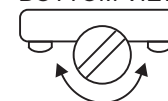
## SCHEMATIC



## TIME DELAY ADJUSTMENT

TIME DELAY ADJUSTMENT KNOB

BOTTOM VIEW



TURN CW TO INCREASE  
TURN CCW TO DECREASE

TIME DELAY ADJUSTMENT  
RANGE = 2 - 60 SECONDS



DynaLock Corporation  
705 Emmett Street • Bristol, CT 06010  
Tel: (860) 582-4761 • Fax: (860) 585-0338

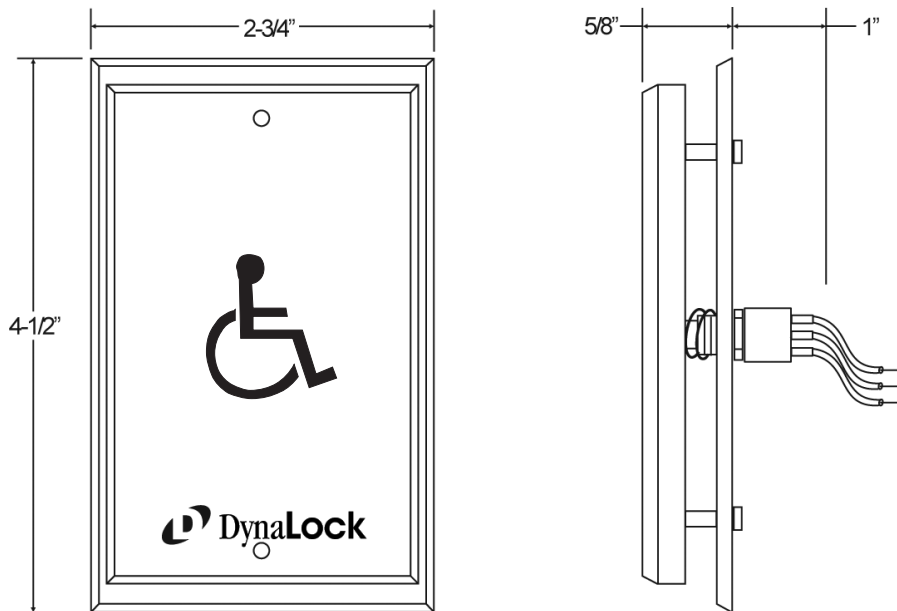
## Installation Instructions

DRWN: MJL Date: 08/27/08  
CHK'D: JAS Date: 08/29/08  
CHK'D: Date:  
APPV'D: Date:

Title:  
**6705 PUSHPLATE, SINGLE GANG**

Page 1 Of 1 Scale: — Size: A Drawing #: **600387** REV: —

# SPECIFICATIONS



## DYNALOCK MODEL #6715 / 6725 PUSHPLATE FEATURES:

2-5/8" x 4" SOLID ALUMINUM PUSHPLATE WITH ENGRAVED BLUE HANDICAPPED SYMBOL

SINGLE GANG SOLID ALUMINUM FACEPLATE.

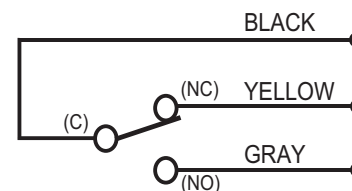
7" COLOR-CODED #18AWG WIRE LEAD TERMINATIONS.

6715 - SPDT / ALTERNATE-ACTION CONTACTS, RATED 6 AMPS @ 125VAC

6725 - DPDT / ALTERNATE-ACTION CONTACTS, RATED 6 AMPS @ 125VAC

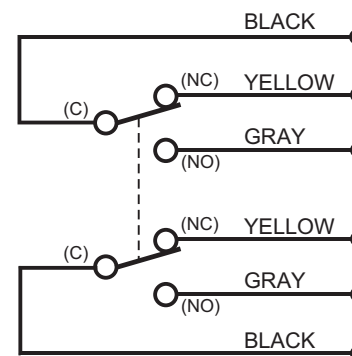
# WIRING INFORMATION

## MODEL #6715



SPDT ALTERNATE-ACTION CONTACTS RATED 6 AMPS @ 125VAC

## MODEL #6725



DPDT ALTERNATE-ACTION CONTACTS RATED 6 AMPS @ 125VAC



DynaLock Corporation  
705 Emmett Street • Bristol, CT 06010  
Tel: (860) 582-4761 • Fax: (860) 585-0338

## Installation Instructions

DRWN: MJL Date: 08/27/08  
CHK'D: JAS Date: 08/29/08  
CHK'D: Date:  
APPV'D: Date:

Title: 6715 / 6725 PUSHPLATE SINGLE GANG

Page 1 Of 1

Scale: —

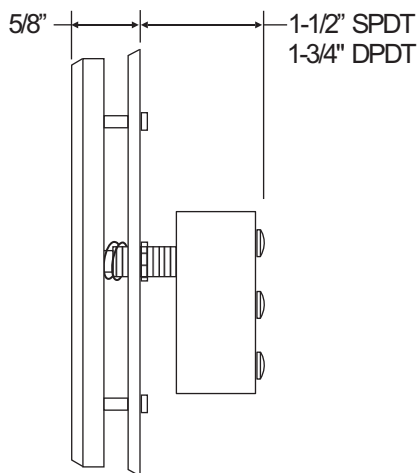
Size: A

Drawing #:

600388

REV: —

# SPECIFICATIONS



## DYNALOCK MODEL #6735 / 6745 PUSHPLATE FEATURES:

SOLID ALUMINUM PUSHPLATE WITH ENGRAVED BLUE HANDICAPPED SYMBOL

SINGLE GANG SOLID ALUMINUM FACEPLATE.

LABELED SCREW TERMINAL CONNECTIONS

6735 - SPDT / MOMENTARY CONTACTS, RATED 15 AMPS @ 125VAC

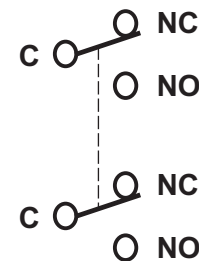
6745 - DPDT / MOMENTARY CONTACTS, RATED 10 AMPS @ 125VAC

# WIRING INFORMATION

## MODEL #6735 (SPDT)



## MODEL #6745 (DPDT)



DynaLock Corporation  
705 Emmett Street • Bristol, CT 06010  
Tel: (860) 582-4761 • Fax: (860) 585-0338

## Installation Instructions

DRWN: MJL Date: 08/27/08  
CHK'D: JAS Date: 08/29/08  
CHK'D: Date:  
APPV'D: Date:

Title: **6735 / 6745 PUSHPLATE SINGLE GANG**

Page 1 Of 1 Scale: — Size: A Drawing #: **600389** REV: