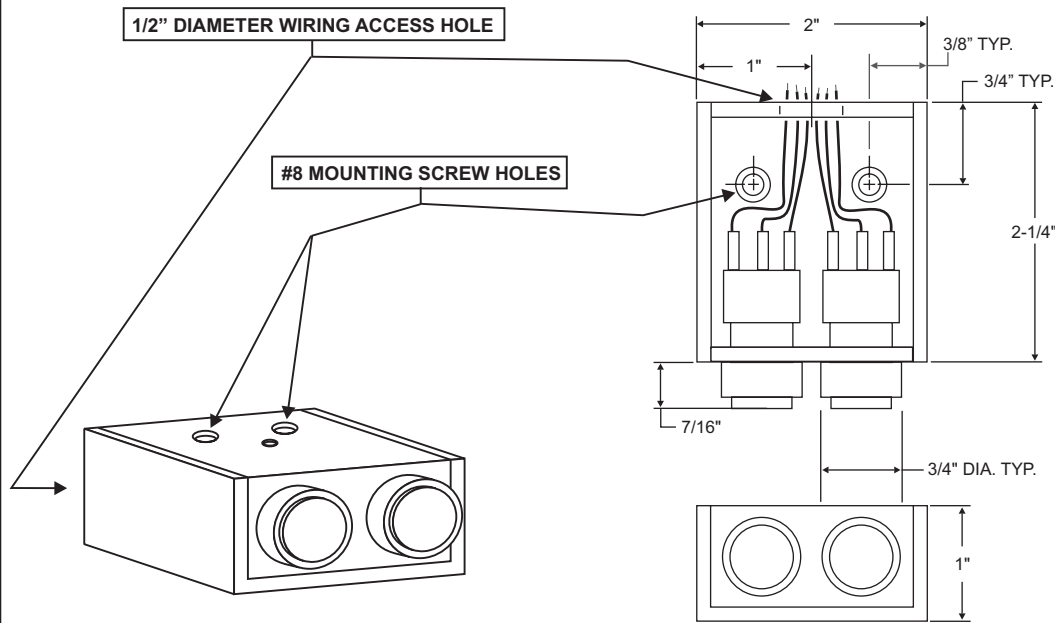


SPECIFICATIONS



DYNALOCK MODEL #6337, 6338 UNDER-DESK PUSH BUTTONS FEATURES:

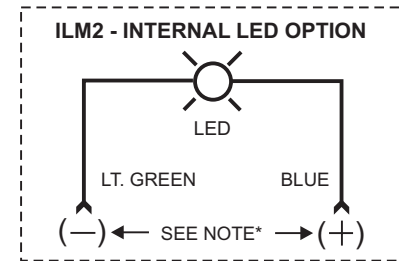
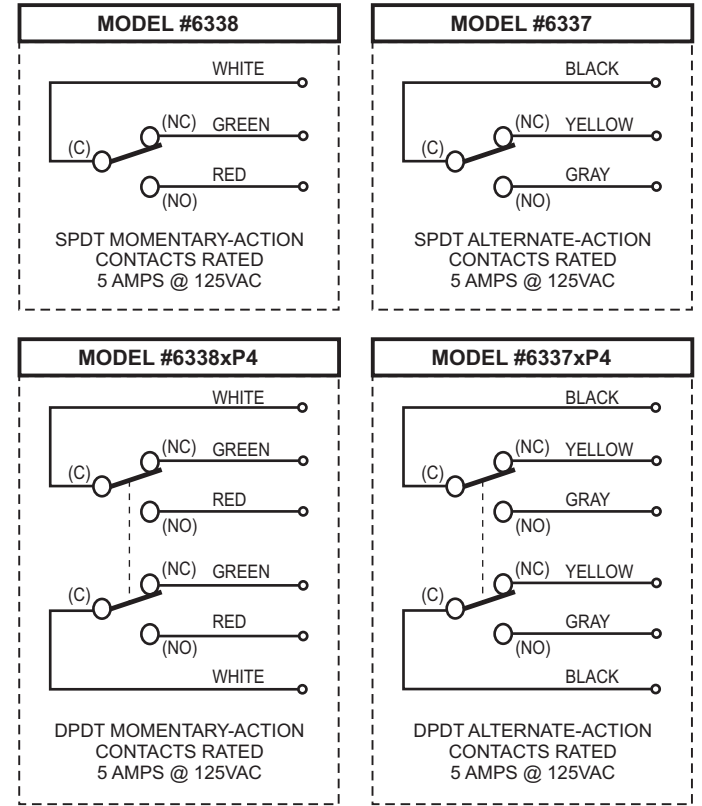
5/8" DIA. GREEN PLASTIC BUTTONS, ON BRUSHED ALUMINUM MINIATURE SURFACE- MOUNT BOX.

7" COLOR-CODED #18AWG WIRE LEAD TERMINATIONS.

SPDT CONTACTS RATED 5 AMPS @ 125VAC.
6337 IS ALTERNATE-ACTION/MAINTAINED.
6338 IS MOMENTARY-ACTION.

OPTIONAL ILLUMINATED BUTTON ('ILM2' OPTION, AS ORDERED).
SEE WIRING INFORMATION FOR DETAILS.

WIRING INFORMATION



***NOTE:**
ILM OPTION VOLTAGE ____ 12VDC ____ 24VDC

DynaLock
705 Emmett Street
Bristol, CT 06010

TITLE
**MODEL #6337, #6338 UNDER-DESK
DOUBLE PUSH BUTTONS**

DRN. BY MJL
DATE 09/30/05
SCALE ____

DWG. NO.
600270