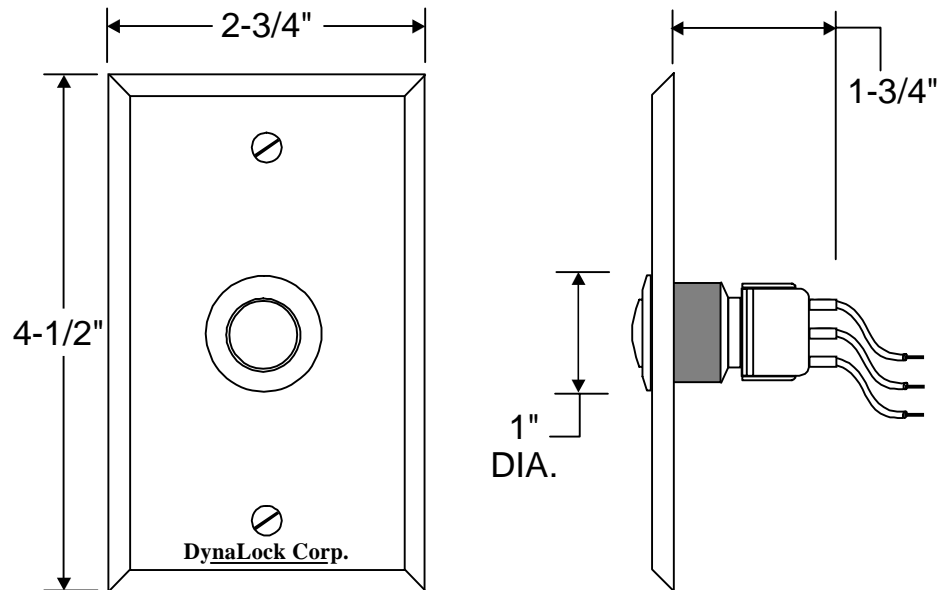
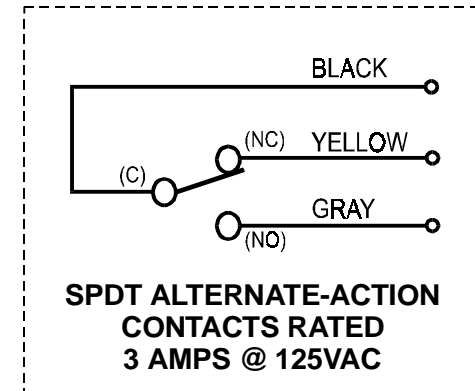


SPECIFICATIONS



WIRING INFORMATION



DYNALOCK #6282 HEAVY-DUTY VANDAL-RESISTANT PUSH BUTTON FEATURES:

1" DIA. STAINLESS STEEL BUTTON ON SINGLE-GANG BRUSHED STAINLESS STEEL FACEPLATE.

7" COLOR-CODED #18AWG WIRE LEAD TERMINATIONS.

SPDT / ALTERNATE-ACTION CONTACTS, RATED 3 AMPS @ 125VAC

DynaLock Corp.

705 Emmett Street
Forestville, CT 06010

TITLE

MODEL #6282 HEAVY-DUTY
VANDAL-RESISTANT PUSH BUTTON

DRN. BY JAS

DATE 02/20/98

SCALE

DWG. NO.

600182