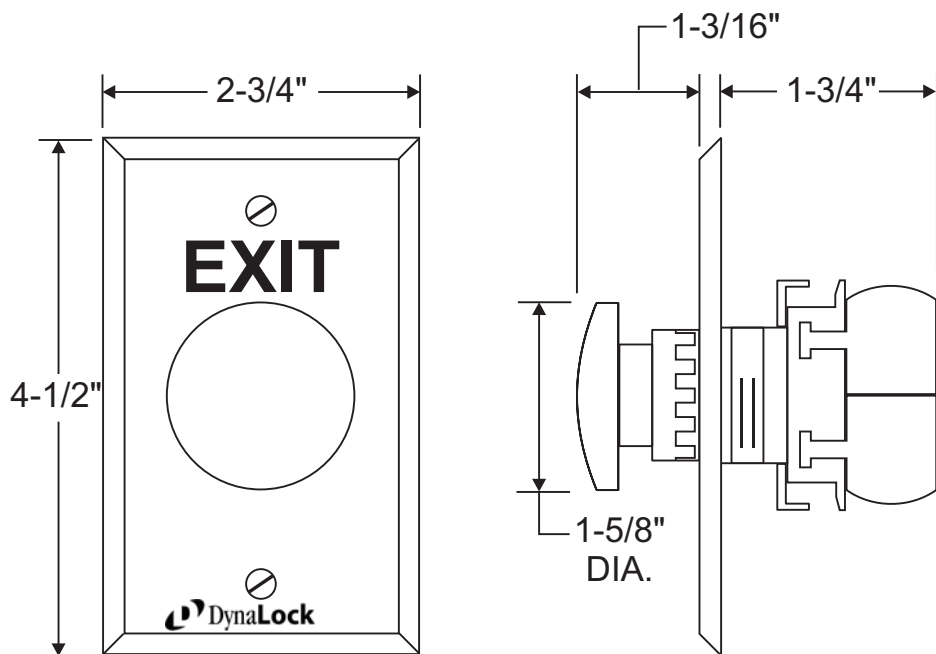


SPECIFICATIONS



DYNALOCK MODEL #6231 PALM BUTTON FEATURES:

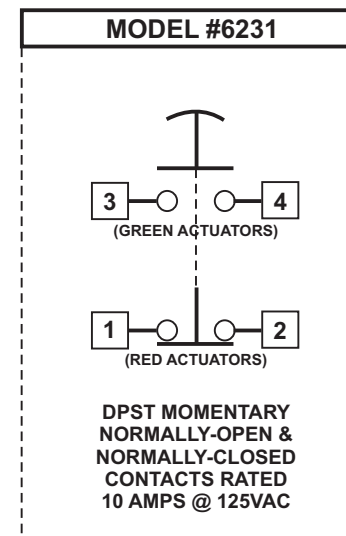
1-5/8" DIA. RED PLASTIC MUSHROOM BUTTON ON SINGLE-GANG BRUSHED STAINLESS STEEL FACEPLATE, WITH "EXIT" SIGNAGE SILKSCREENED IN RED 1/2" LETTERS.

COMBINATION-HEAD SCREW TERMINAL CONNECTORS.

DPST: (1) NORMALLY-OPEN CONTACT & (1) NORMALLY-CLOSED CONTACT

RATED 10 AMPS @ 125VAC

WIRING INFORMATION



DynaLock Corporation
705 Emmett Street • Bristol, CT 06010
Tel: (860) 582-4761 • Fax: (860) 585-0338

DRWN:	Date:
MJL	11/10/05
CHK'D:	Date:
CHK'D:	Date:
APPV'D:	Date:

Title:

6231 PALM BUTTON

Page
1 Of 1

Scale:

Size:

Drawing #:

600272

REV: