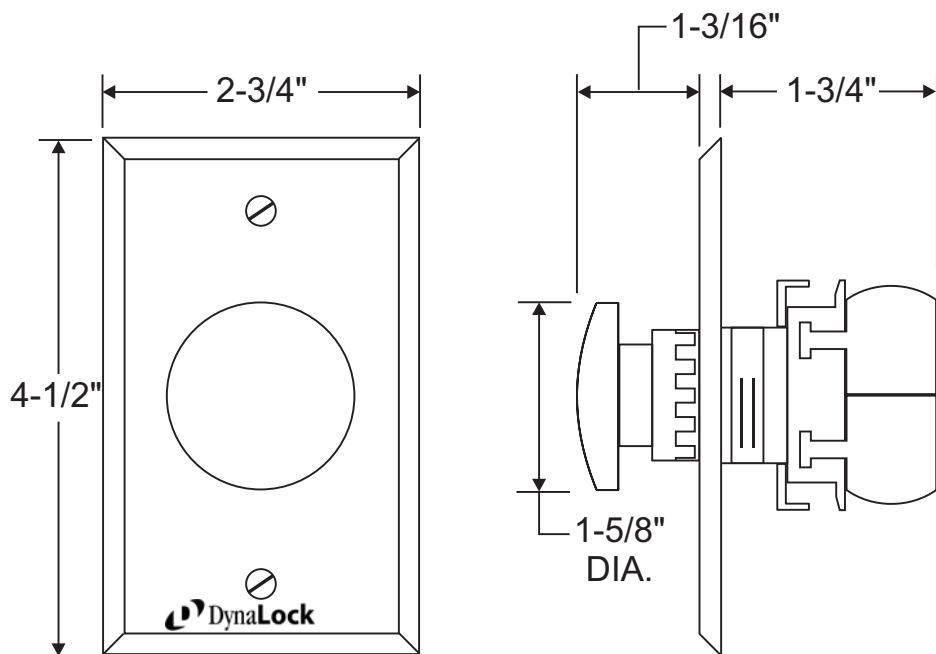


SPECIFICATIONS



DYNALOCK MODEL #6230 PALM BUTTON FEATURES:

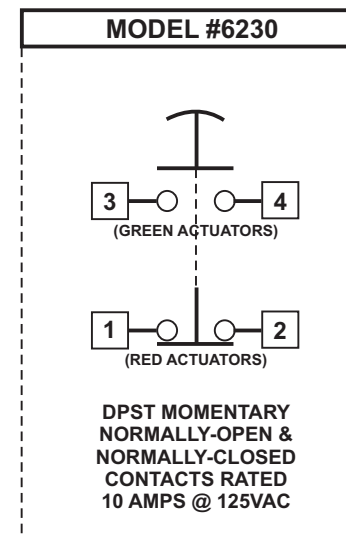
1-5/8" DIA. RED PLASTIC MUSHROOM BUTTON ON SINGLE-GANG BRUSHED STAINLESS STEEL FACEPLATE.

COMBINATION-HEAD SCREW TERMINAL CONNECTORS.

DPST: (1) NORMALLY-OPEN CONTACT & (1) NORMALLY-CLOSED CONTACT

RATED 10 AMPS @ 125VAC

WIRING INFORMATION



DynaLock Corporation
705 Emmett Street • Bristol, CT 06010
Tel: (860) 582-4761 • Fax: (860) 585-0338

| | |
|---------|----------|
| DRWN: | Date: |
| MJL | 11/10/05 |
| CHK'D: | Date: |
| CHK'D: | Date: |
| APPV'D: | Date: |

Title:

6230 PALM BUTTON

Page
1 Of 1

Scale:

Size:

Drawing #:

600271

REV: