

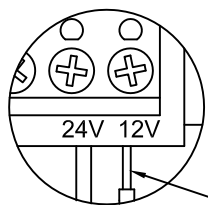
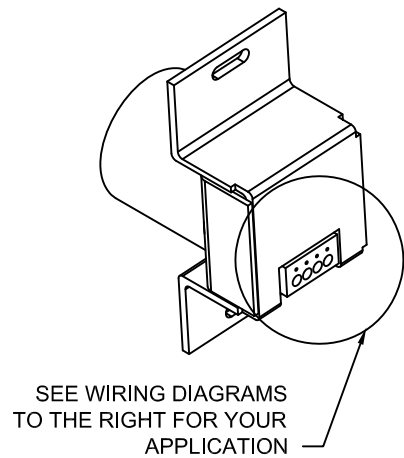
ELECTRICAL DATA SHEET

THIS PRODUCT IS AN ELECTROMAGNETIC HOLDING DEVICE INTENDED FOR USE IN FIRE DOOR APPLICATIONS, BUT CAN BE USED FOR OTHER MAGNETIC APPLICATIONS. WIRE INTO PROPER TERMINALS AS NOTED BELOW:

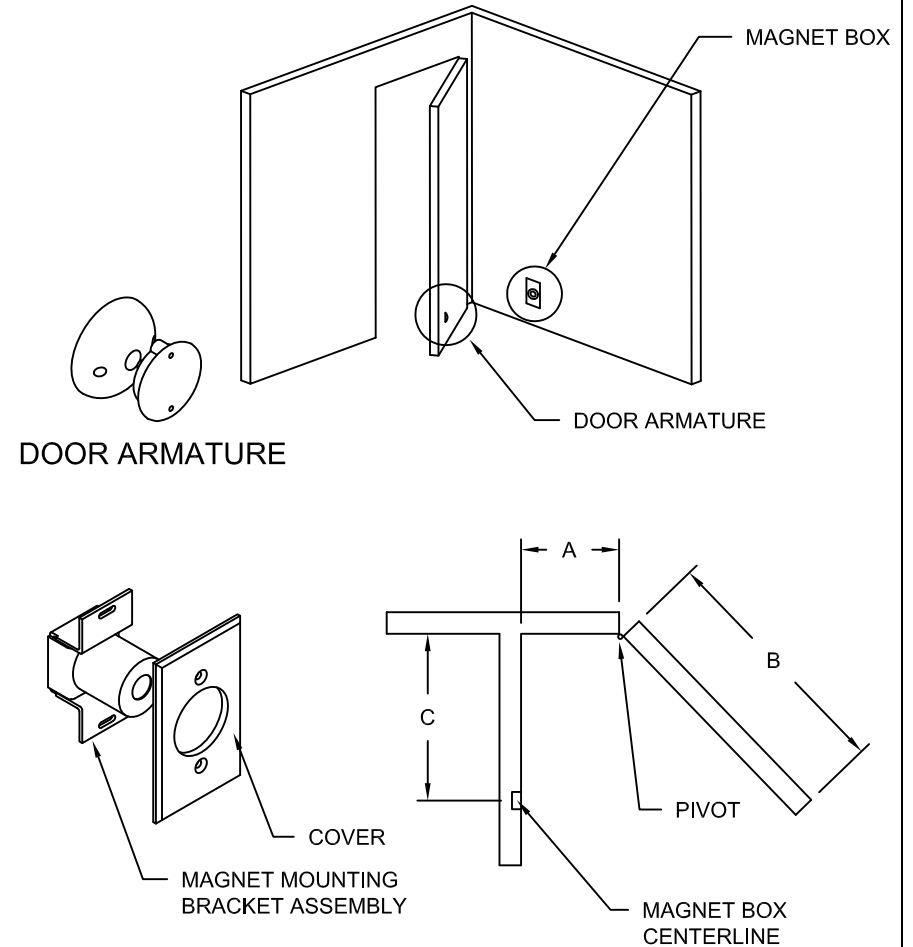
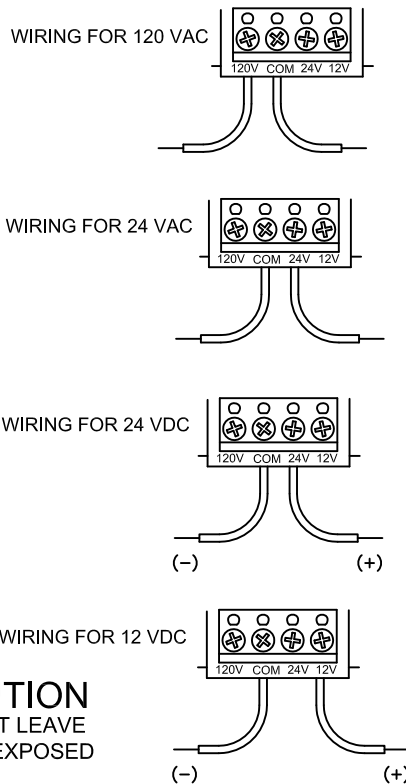
PLEASE READ INSTRUCTIONS CAREFULLY!!

SERIES	VOLTAGE	DC/mA	DC/VA	AC/mA	AC/VA	TERMINALS
2806	12 DC	60	.72			Com & 12 v
	24 AC/DC	30	.72	30	.72	Com & 24 v
	120 AC			30	3.60	Com & 120 v

ELECTROMAGNETIC DOOR HOLDER ASSEMBLY INSTRUCTIONS & ELECTRICAL CONFIGURATIONS



CAUTION
DO NOT LEAVE
WIRE EXPOSED



DynaLock Corporation
705 Emmett Street
Bristol, CT 06010
Ph/ 860.582.4761
Fx/ 860.585.0338
E-mail/ info@dynalock.com

WWW.DYNALOCK.COM

© 2010 DYNALOCK CORP. Printed in USA

Electromagnetic Door Holder Model 2806

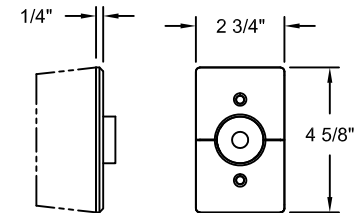
Step #1 Locations of Magnet Box:

- 1-1 Measure distance from pivot centerline to wall (Dim A)
- 1-2 Determine door width (Dim B)
- 1-3 To locate magnet box use Table below.
- 1-4 Dim C is the distance from the pivot centerline to the magnet box centerline.
Example: Dim A=10" Dim B=42" Result: Dim C=38 1/2"
- 1-5 If Dim A or Dim B falls between the numbers listed in the table allow for difference.
Example: Dim A=7" Dim B=36" Estimated Dim C=32 15/16"
- 1-6 If Dim A and Dim B intersect in the shaded area, DO NOT INSTALL magnet box:
The degree of door opening will not permit proper alignment between armature and wall magnet.
- 1-7 Suggested vertical location on top rail approximately 5" from top of door.
- 1-8 Check degree of door opening shown in table and coordinate with door closers and other door hardware.
- 1-9 Total projection of door hardware must not be more than 1 7/8" on the pull side of door.

Dim B	28		30		32		34		36		38		40		42		44		46		48	
Dim A	Dim C	Deg	Dim C	Deg	Dim C	Deg	Dim C	Deg	Dim C	Deg	Dim C	Deg	Dim C	Deg	Dim C	Deg	Dim C	Deg	Dim C	Deg	Dim C	Deg
2	25 3/8	90	27 3/8	90	29 3/8	90	31 3/8	90	33 3/8	90	35 3/8	90	37 1/4	90	39 3/8	90	41 3/8	90	43 3/8	90	45 3/8	90
4	25 1/4	95	27 1/4	94	29 1/4	94	31 1/4	94	33 1/4	94	35 1/4	93	37 3/8	93	39 3/8	93	41 3/8	93	43 3/8	93	45 3/8	93
6	25	99	27	99	29 1/8	98	31 1/8	98	33 1/8	97	35 1/8	96	37 1/8	96	39 1/8	96	41 1/8	96	43 1/8	95	45 1/8	95
8	24 5/8	104	26 5/8	103	28 3/4	102	30 3/4	101	32 3/4	101	34 7/8	100	36 7/8	99	38 7/8	99	40 7/8	99	43	98	45	98
10	24	109	26 1/8	107	28 1/4	106	30 1/4	105	32 3/8	104	34 3/8	103	36 1/2	103	38 1/2	102	40 5/8	101	42 5/8	101	44 5/8	100
12	23 1/4	114	25 3/8	112	27 5/8	110	29 3/4	109	31 3/4	108	33 7/8	107	36	106	38	105	40 1/8	104	42 1/8	103	44 1/4	103
14	22 1/4	119	24 1/2	116	26 3/4	114	28 7/8	113	31 1/8	111	33 1/4	110	35 3/8	109	37 1/2	108	39 1/2	107	41 5/8	106	43 3/4	105
16			23 1/2	121	25 3/4	119	28	117	30 1/4	115	32 3/8	114	34 5/8	112	36 3/4	111	38 7/8	110	41	109	43 1/8	108
18					24 1/2	123	26 7/8	121	29 1/4	119	31 1/2	117	33 3/4	116	35 7/8	114	38 1/8	113	40 1/4	112	42 3/8	111
20							28	123	30 3/8	121	32 5/8	119	35	117	37 1/4	116	39 3/8	115	41 5/8	114	41 5/8	114
22									31 1/2	123	33 7/8	121	36 1/8	119	38 3/8	118	40 5/8	117	40 5/8	116	40 5/8	116
24											35	122	37 1/4	121	39 5/8	119	39 5/8	119	39 5/8	119	39 5/8	119

Step #2 Continued:

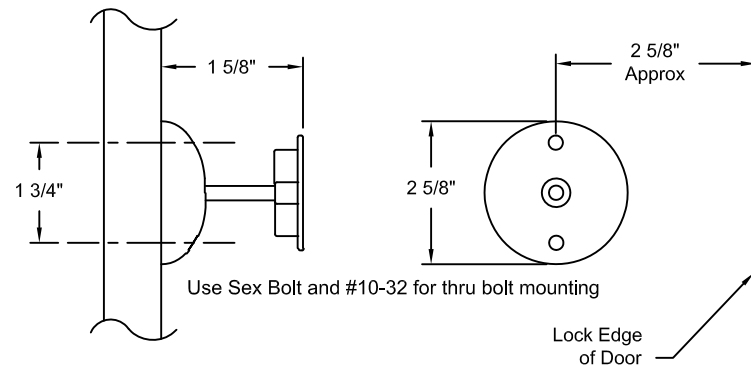
- 2-3 The 2 3/4 x 4 1/2 x 1 1/2 outlet box must be inserted in the wall in such a way that the center line of the outlet box coincides with the line created in 2-1.
 - 2-4 The box should be installed with reinforcement to withstand a minimum 50 lb. pull.
 - 2-5 The height of the outlet box must be chosen so the door armature can be installed at the same height on the door without interfering with the other door hardware.
 - 2-6 Install and verify the proper bracket and cover alignment.
 - 2-7 For detail on electrical wiring, read the specific "Electrical Data Sheet" at the end of this documentation.
- IMPORTANT: Check that power voltage equals voltage labeled on back of magnet.



An outlet box should be mounted with reinforcement to withstand load from door

Step #2 Installation of Wall Magnet Box:

- 2-1 Locate on the wall the dimension Dim C by tracing a temporary vertical line at the distance Dim C (calculated in the previous step) from corner of the wall.
- 2-2 Proper electrical wire routing must be done before installing magnet box.



Step #3 Installation of door armature hardware:

- 3-1 With the magnet box securely fastened, aligned and energized, place and center the door armature on the surface of the magnet with the two holes of the base aligned either vertically or horizontally.
- 3-2 Gently close the door and adjust the angle of the door armature so the base lays flat against the door.
- 3-3 While keeping slight pressure on the door, mark location of door armature through the two base holes. The two marks should be 1 3/4" apart and the center line of the door armature should be approximately 2 5/8" from the lock edge of the door.
- 3-4 Depending of the mounting option that you choose:

For concealed Mounting

Drill a 1/2" deep hole where the two marks are located with a 1/16" maximum diameter drill as pilot holes for wood screws. In reinforced metal door, drill & tap for #10-32 screw

OR:

For through bolt Mounting

Drill through the door where the two marks are located with a 5/16" drill.

- 3-5 Mount the door armature on the door:

For concealed Mounting

Use two #10 pan head phillips wood screws or two #10-32 screws depending on type of door (See step 3-4)

OR:

For through bolt Mounting

Use two #10-32 screws with two #10-32 x 1 1/4" sex bolt.



DynaLock Corporation
705 Emmett Street
Bristol, CT 06010
Ph/ 860.582.4761
Fx/ 860.585.0338
E-mail/ info@dynalock.com

WWW.DYNALOCK.COM

© 2010 DYNALOCK CORP. Printed in USA

Electromagnetic Door Holder Model 2806

M2806IN-01 06/2010 Page 2 of 2