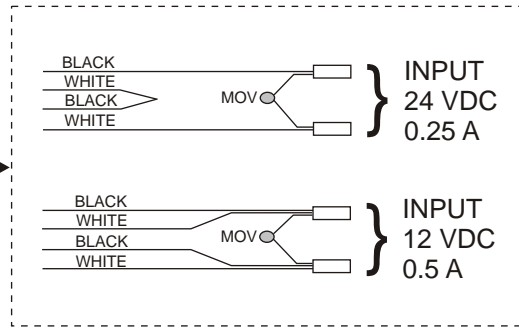


# SERIES #2585 "BANTAM" ELECTROMAGNETIC LOCK

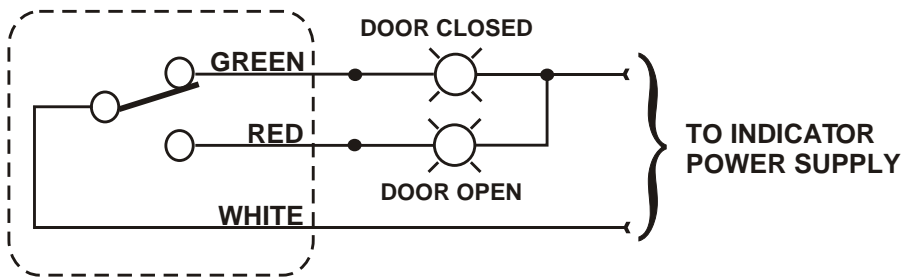


**NOTES:**

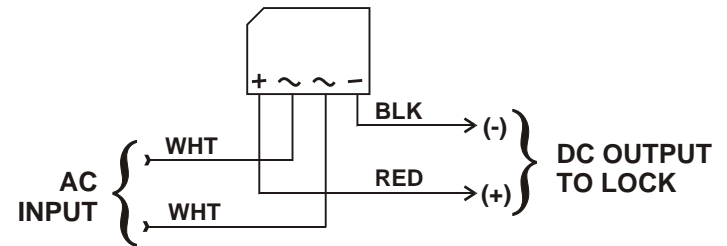
1. INPUT POWER HOOK-UP IS NOT POLARITY SENSITIVE.
2. FOR AC OPERATION, USE DYNALOCK RECTIFIER PART #7088.

RED (NO) } DSM OPTION OUTPUT.  
 WHITE (C) } SPDT RATED 0.5 A @ 24 V.  
 GREEN (NC) } STATE OF CONTACTS SHOWN  
 INDICATES DOOR CLOSED.

## DOOR POSITION SENSOR (DSM) TYPICAL WIRING



## #7088 RECTIFIER WIRING



DynaLock Corporation  
 705 Emmett Street • Bristol, CT 06010  
 Tel: (860) 582-4761 • Fax: (860) 585-0338

### Wiring Instructions

DRWN: MJL Date: 08/02/06  
 CHK'D: Date:  
 CHK'D: Date:  
 APPV'D: JAS Date: 08/02/06

Title: SERIES #2585 "BANTAM" ELECTROMAGNETIC LOCK, GENERAL WIRING INFORMATION

Page 1 Of 1 Scale: — Size: A Drawing #: 900304 REV: C