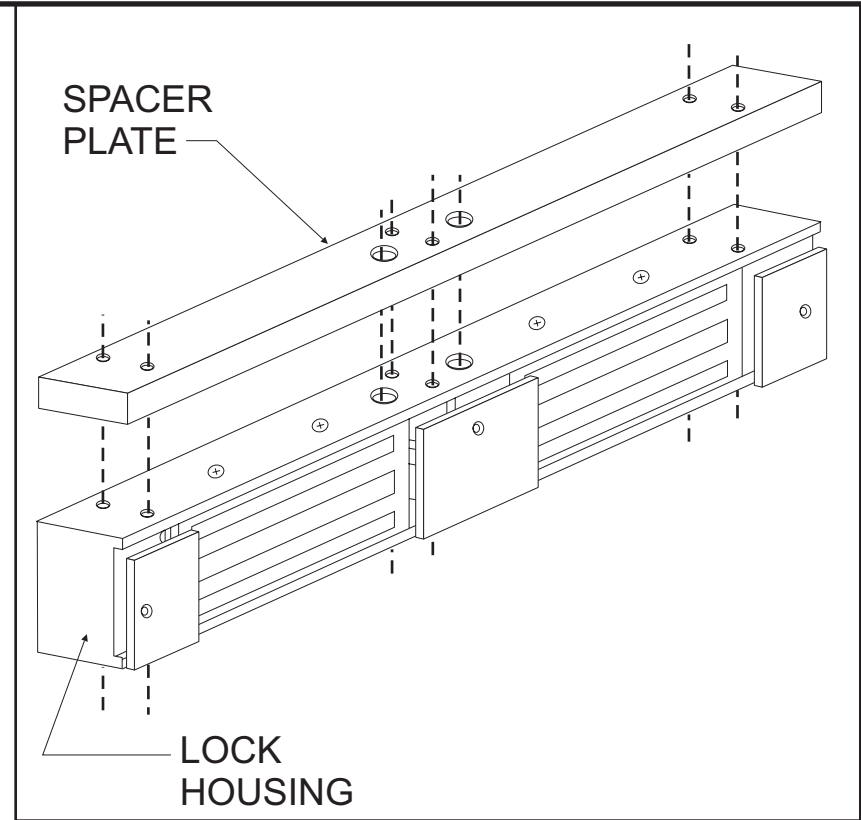
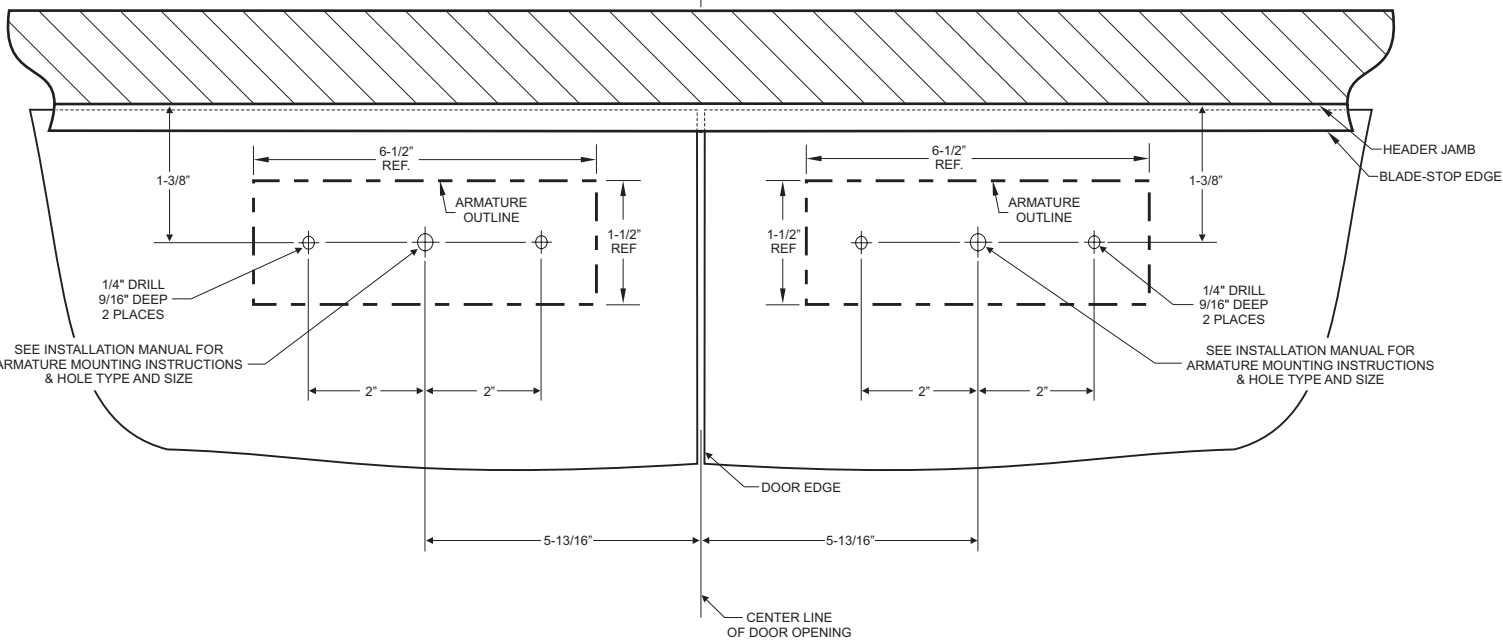
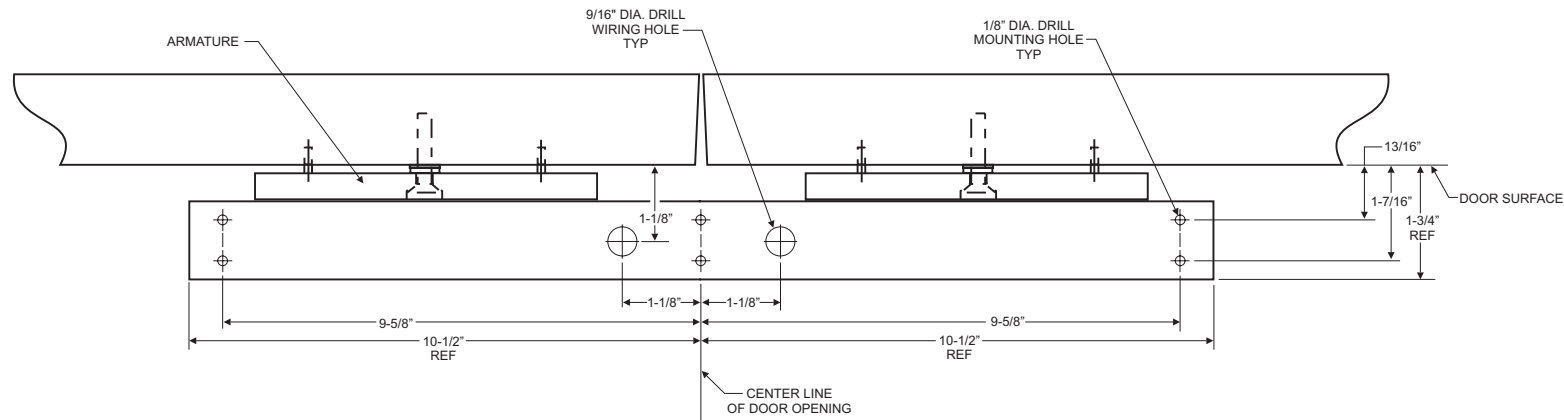



# SUPPLEMENTAL INSTRUCTIONS



 <p><b>DynaLock</b> DynaLock Corporation 705 Emmett Street • Bristol, CT 06010 Tel: (860) 582-4761 • Fax: (860) 585-0338</p>	<p><i>Template Drawing</i></p>	<p>DRWN: MJL      Date: 11/29/05</p>	<p>Title: <b>TEMPLATE DRAWING FOR 2522 USING MODEL #4303 SPACER PLATE</b></p>				
		<p>CHK'D: JAS      Date: 12/01/05</p>					
		<p>APPV'D:      Date:</p>	<p>Page: 1 Of 1</p>	<p>Scale: —</p>	<p>Size: A</p>	<p>Drawing #: 301227</p>	<p>REV:</p>