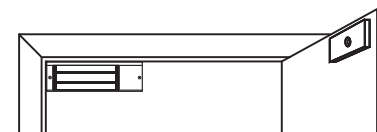
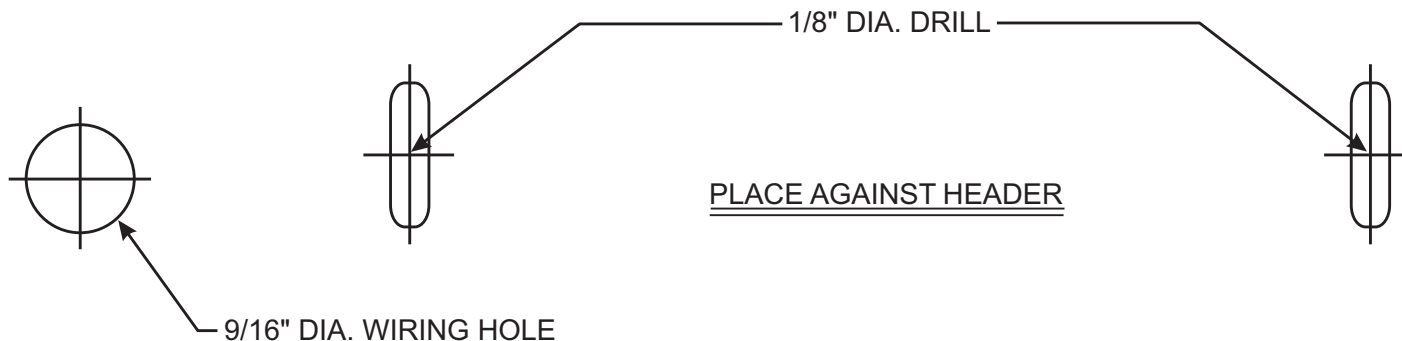




Emergency Tech Support is available Monday - Friday, 5:00PM-8:00PM (EST)
 By Calling: Mike @ (860) 637-2394 or Glen @ (860) 637-2599



USE THIS SIDE OF TEMPLATE FOR R.H.R. DOOR. FINISHED INSTALLATION SHOULD APPEAR AS ABOVE.

REVISED TEMPLATE FOR USE WITH NEW PLASTIC ARMATURE HOUSINGS ONLY

FOLD ON DOTTED LINE

PLACE AGAINST JAMB OPPOSITE HINGES FOR R.H.R. DOOR INSTALLATION →

3000-RHR SERIES ELECTROMAGNETIC LOCK

1/8" DIA. ARMATURE HOUSING MOUNTING SCREW HOLES 1" DEEP (4 REQ'D.)

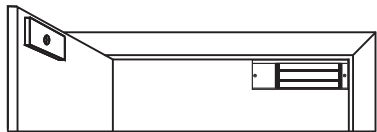


1 1/32" DIA. DRILL FOR THRU BOLT MOUNTING OR 5/16"-18 TAP FOR MOUNTING ON REINFORCED DOOR (SEE INSTRUCTIONS)



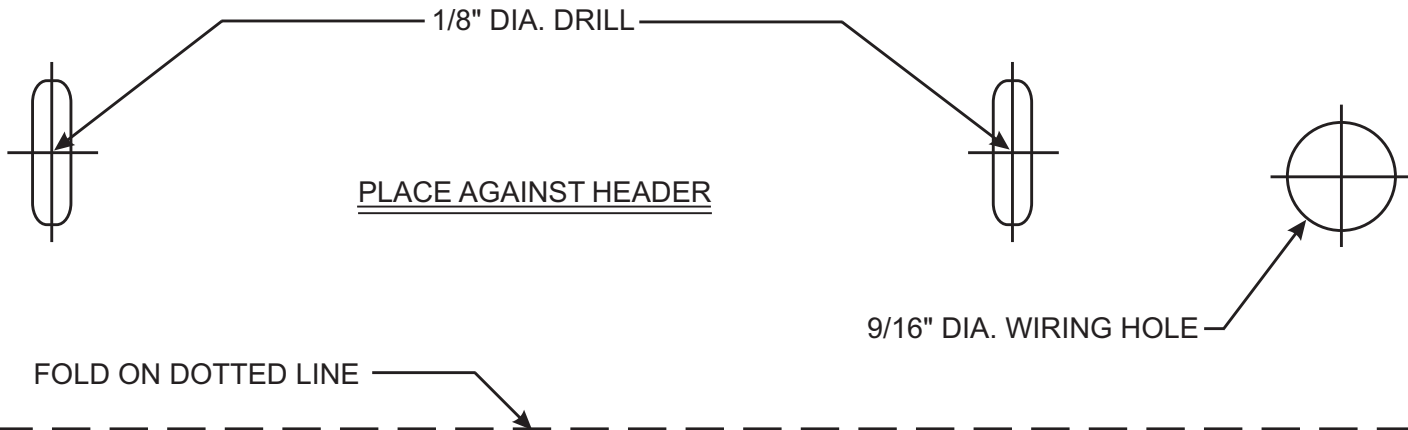


Emergency Tech Support is available Monday - Friday, 5:00PM-8:00PM (EST)
By Calling: Mike @ (860) 637-2394 or Glen @ (860) 637-2599

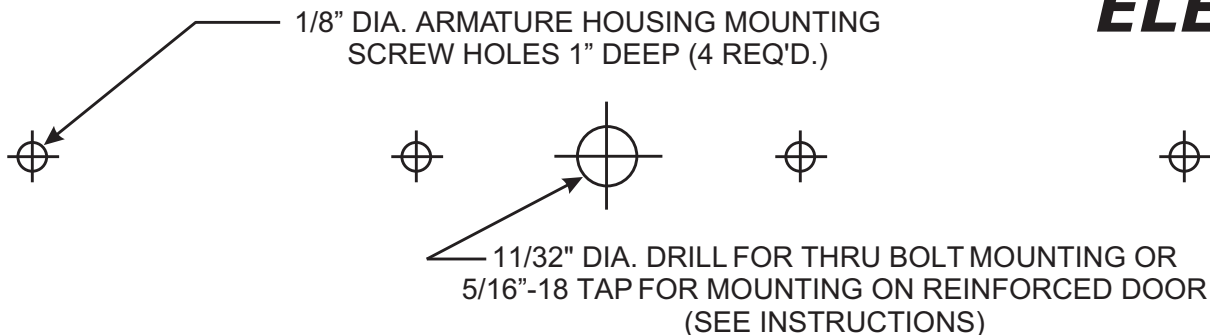


USE THIS SIDE OF TEMPLATE FOR L.H.R. DOOR. FINISHED INSTALLATION SHOULD APPEAR AS ABOVE.

REVISED TEMPLATE FOR USE WITH NEW PLASTIC ARMATURE HOUSINGS ONLY



PLACE AGAINST JAMB OPPOSITE HINGES FOR L.H.R. DOOR INSTALLATION



3000-LHR SERIES ELECTROMAGNETIC LOCK

