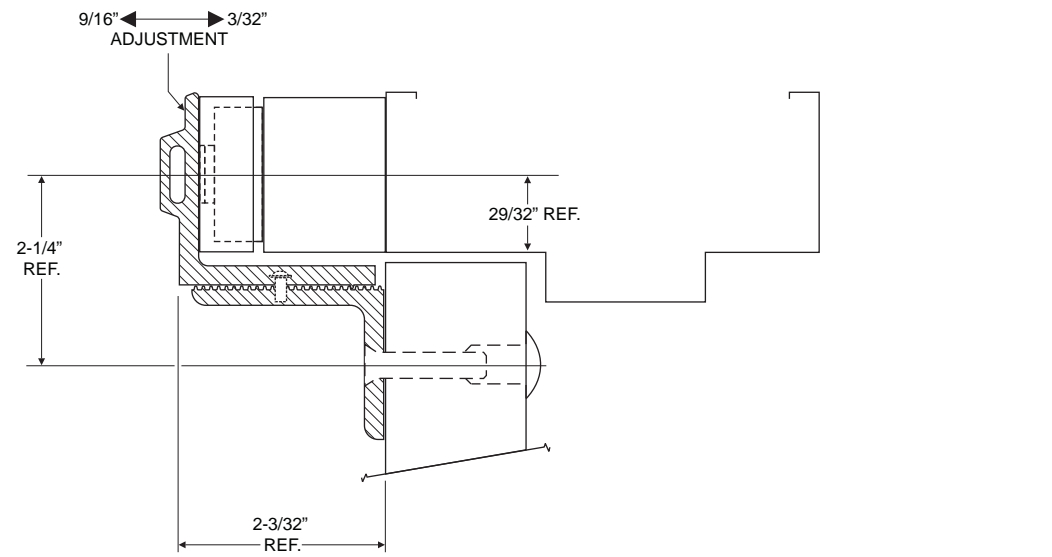
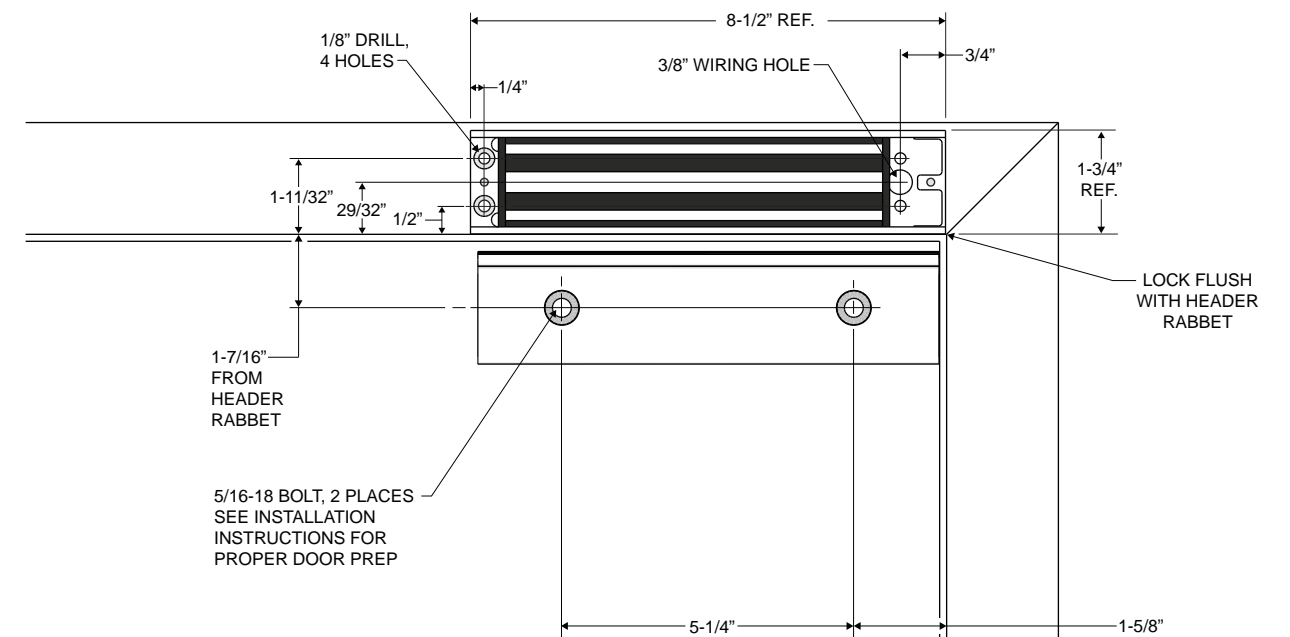
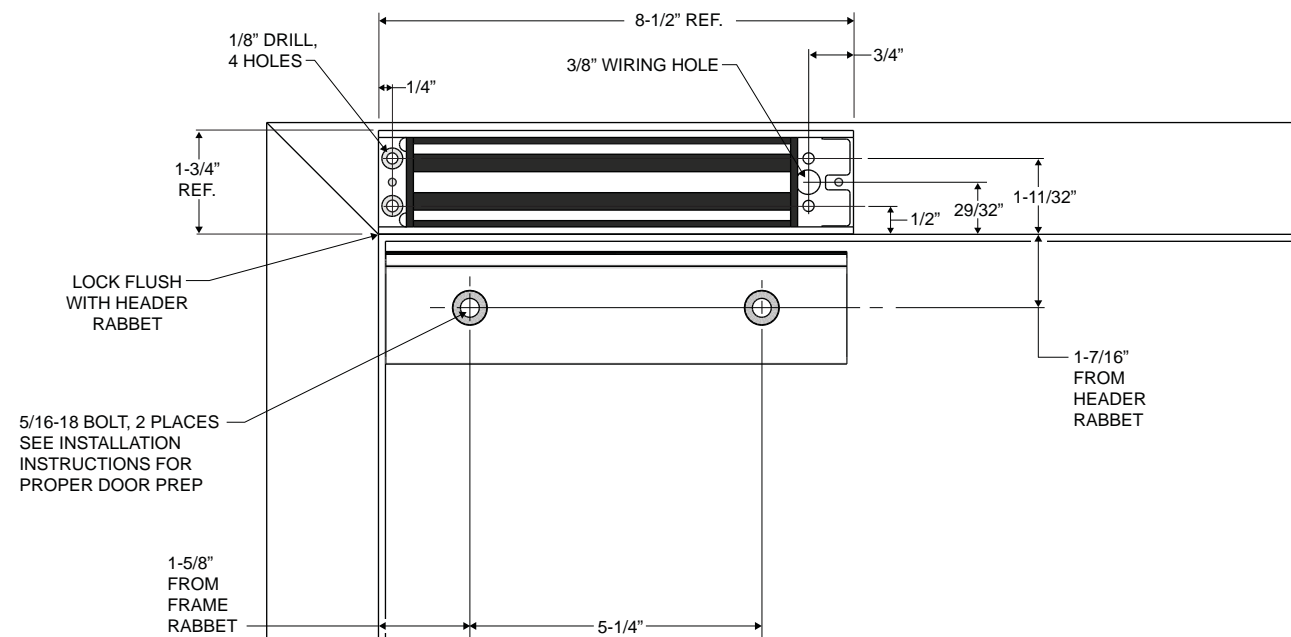
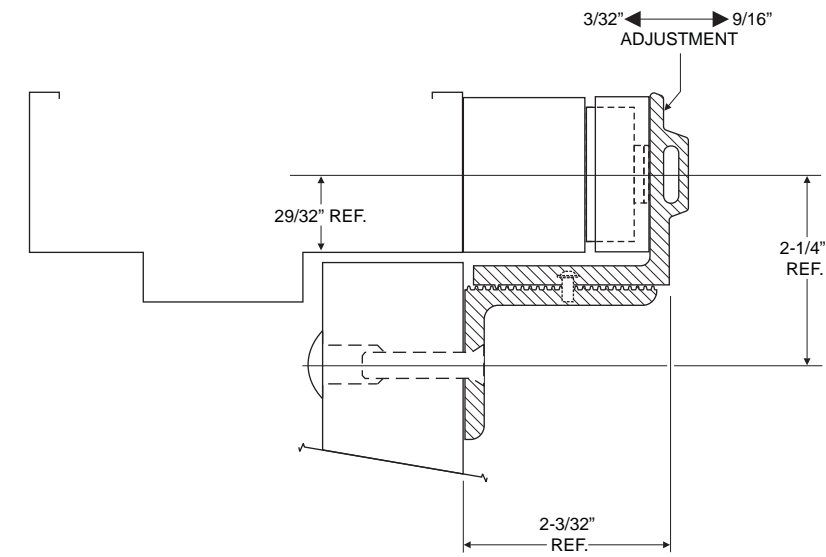


LEFT HAND DOOR PREP



RIGHT HAND DOOR PREP



HINGE SIDE OF DOOR →

← HINGE SIDE OF DOOR

NOTE:
 ABOVE INFORMATION IS FURNISHED TO IDENTIFY HOLE LOCATIONS. SEE INSTALLATION INSTRUCTIONS FOR DOOR AND FRAME PREPARATION.



DynaLock Corporation
 705 Emmett Street • Bristol, CT 06010
 Tel: (860) 582-4761 • Fax: (860) 585-0338

Template Drawing

DRWN: MJL	Date: 1/03/08	Title: 2585xTJ SINGLE INSWING MAGLOCK TEMPLATE DRAWING	
CHK'D: JAS	Date: 1/09/08	Page: 1 Of 1	Scale: —
CHK'D: MJL	Date: 1/10/08	Size: B	Drawing #: 301372
APPV'D: JAS	Date: 1/10/08	REV:	