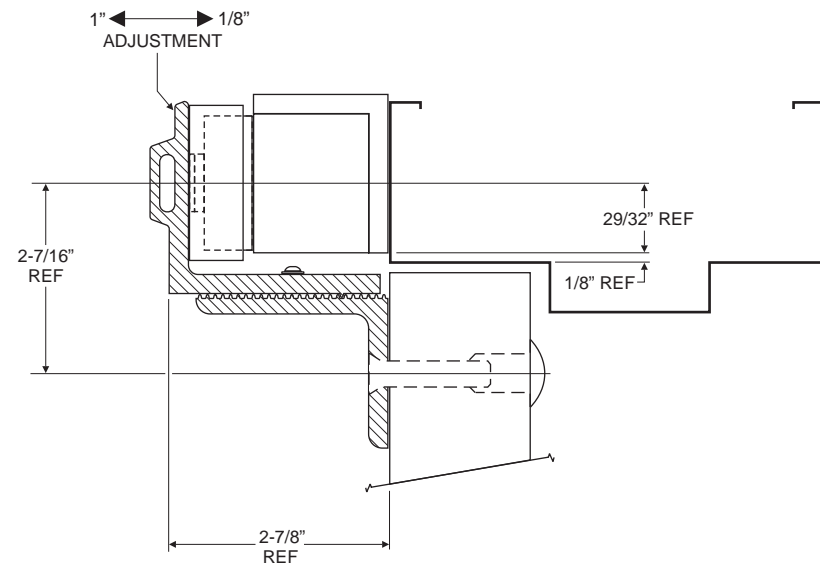
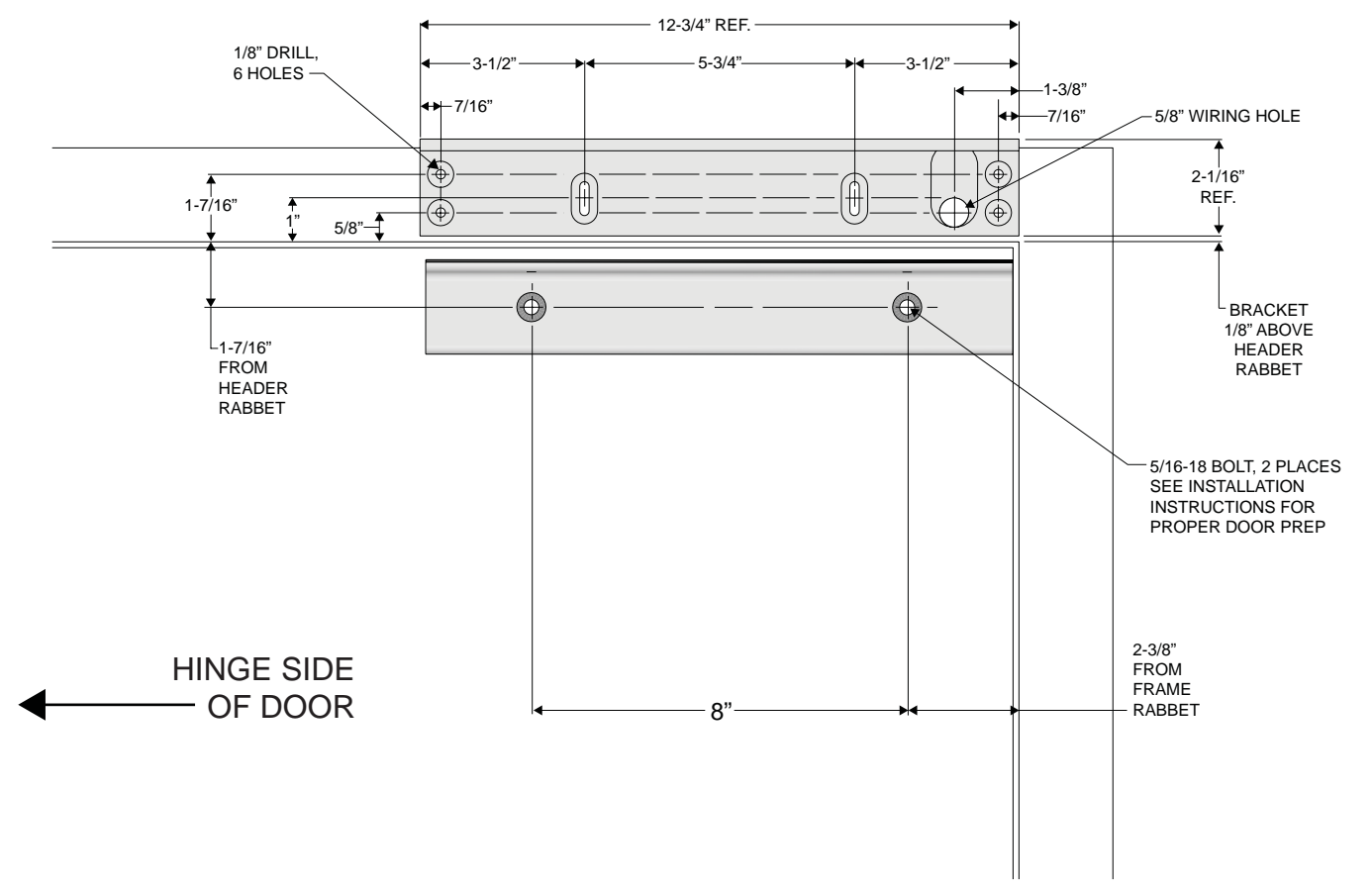
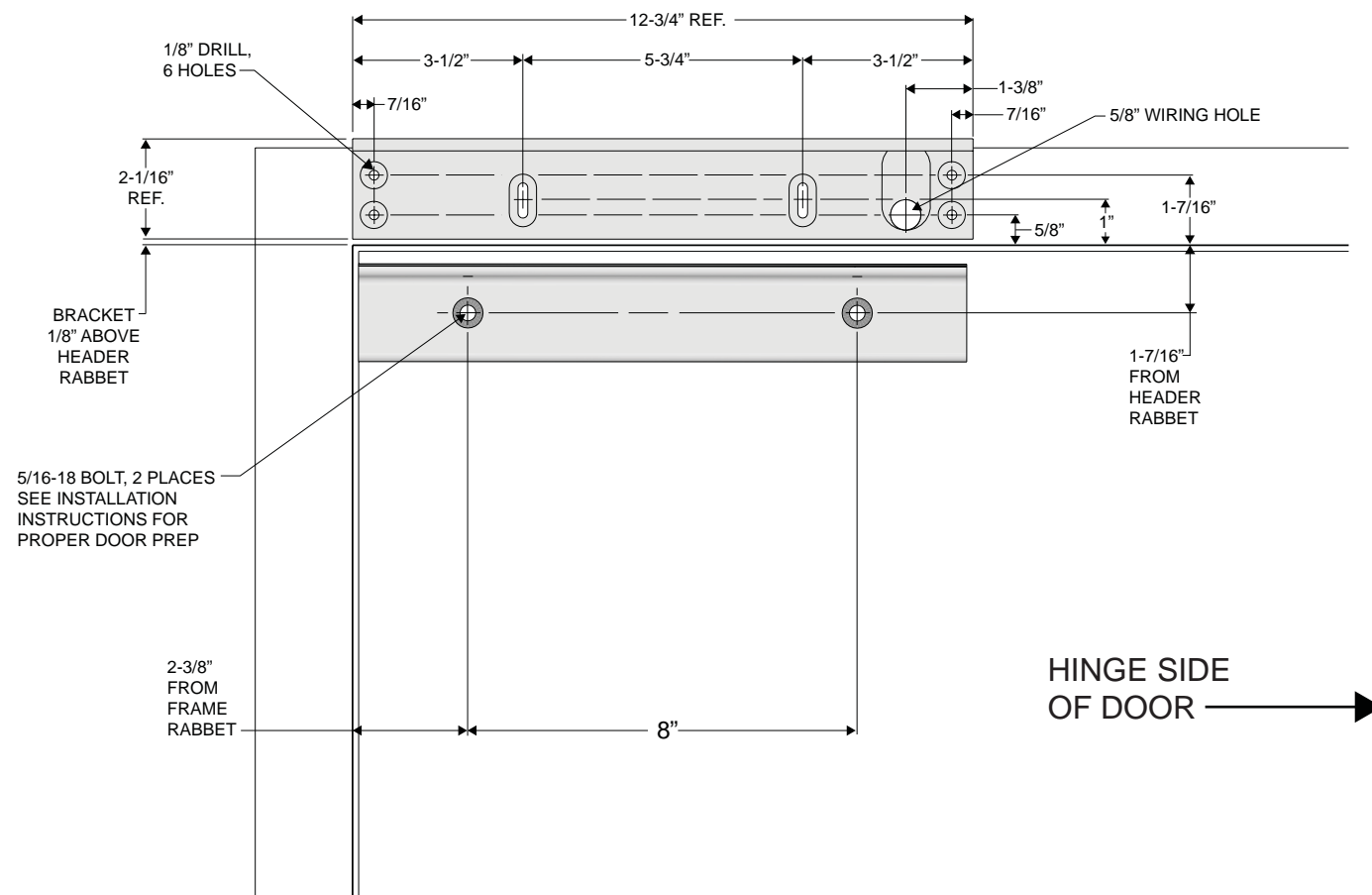
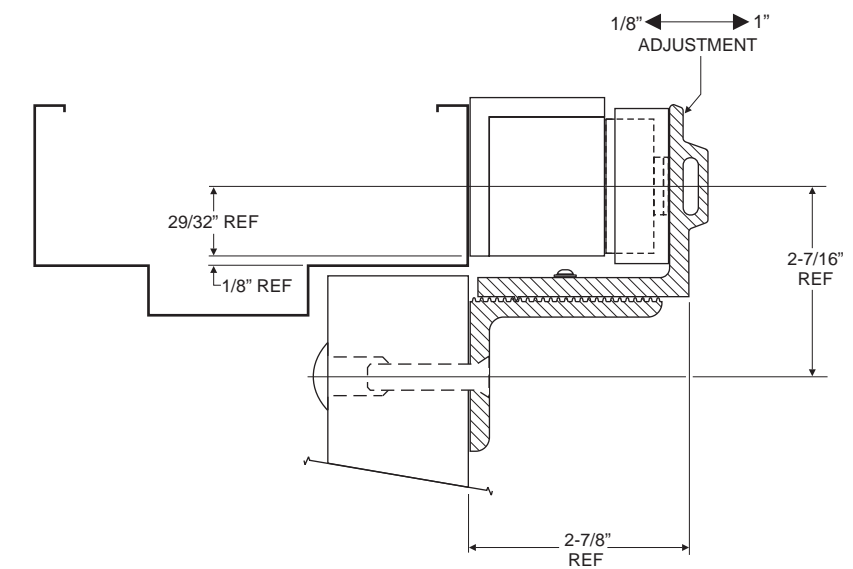


### LEFT HAND DOOR PREP



### RIGHT HAND DOOR PREP



HINGE SIDE OF DOOR →

← HINGE SIDE OF DOOR

**NOTE:**  
 ABOVE INFORMATION IS FURNISHED TO IDENTIFY HOLE LOCATIONS. SEE INSTALLATION INSTRUCTIONS FOR DOOR AND FRAME PREPARATION.



DynaLock Corporation  
 705 Emmett Street • Bristol, CT 06010  
 Tel: (860) 582-4761 • Fax: (860) 585-0338

Template Drawing

DRWN:	MJL	Date:	01/03/07
CHK'D:	MJL	Date:	01/03/07
APPV'D:	JAS	Date:	01/18/07

Title: 2280xTJ80 SINGLE INSWING MAGLOCK  
 TEMPLATE DRAWING

Page	Scale:	Size:	Drawing #:	REV:
1 Of 1	—	B	301302	