

**SYSTEM OPERATION:**

Both doors normally unlocked.

#6110-CB-ILM-24V inside pushbutton control locks the system only when both doors are closed .

Emergency access is accomplished by actuating either #6110-EO-ILM-24V override pushbutton located outside each door.

All buttons are illuminated when system is locked.

Both doors will automatically unlock upon a fire alarm condition.

**NOTES:**

- 1)CHECK THAT THE LOCKS AND POWER SUPPLY ARE ALL SET FOR 24V OPERATION
- 2)MAKE SURE ALL 6110's ARE SET TO MAINTAINED



DynaLock Corporation  
705 Emmett Street • Bristol, CT 06010  
Tel: (860) 582-4761 • Fax: (860) 585-0338

*Custom Engineered  
System Document*

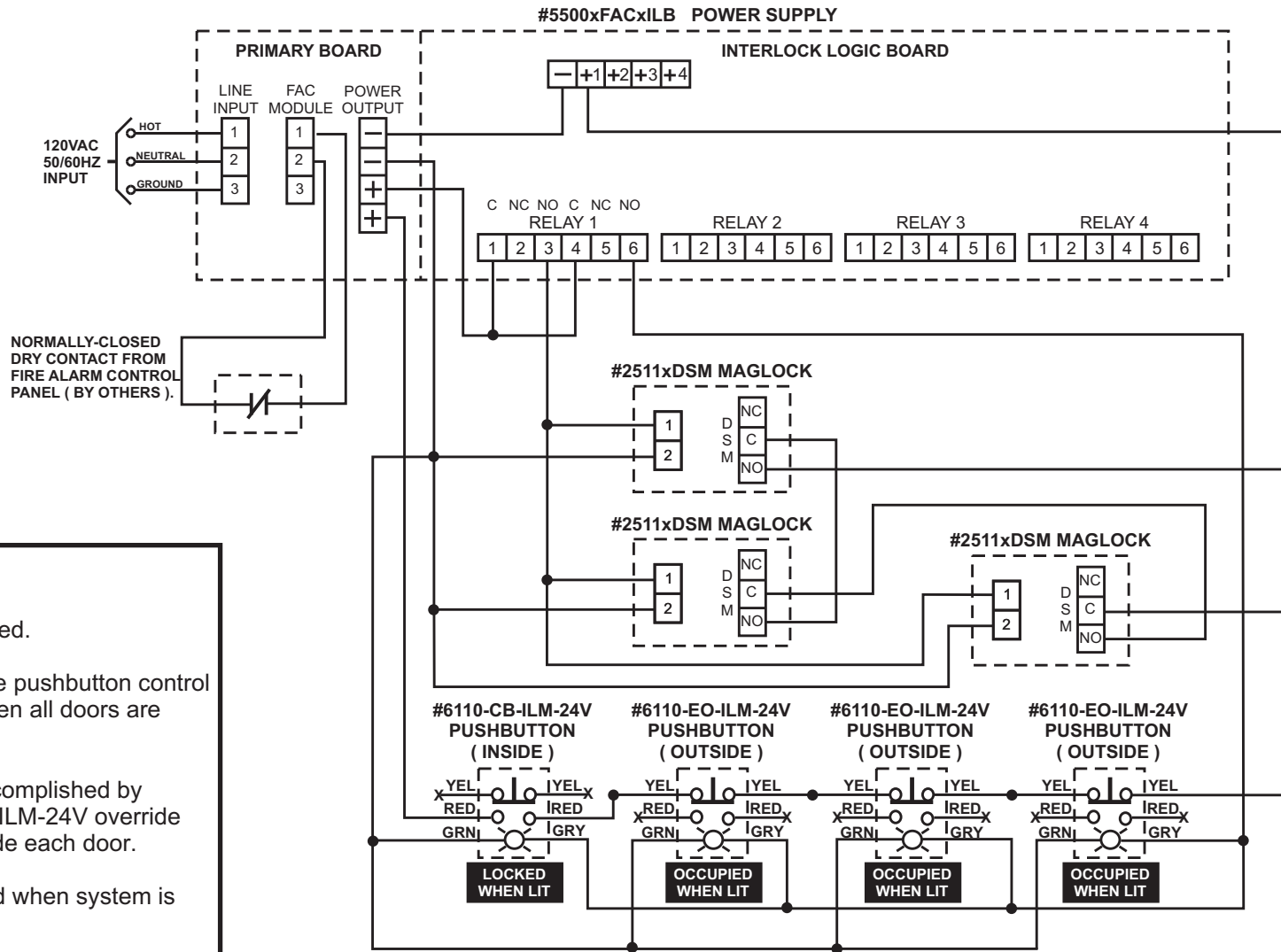
DRWN:	JAS	Date:	06/12/02
CHK'D:	JAS	Date:	06/12/02
REV'D:	MJL	Date:	09/05/08
APPV'D:	JLS	Date:	09/24/08

Title: SYSTEM WIRING DIAGRAM  
2-DOOR COMMUNICATING BATHROOM INTERLOCK  
WITH FIRE ALARM CONTROL INTERFACE

Page	Scale:	Size:	Drawing #:	REV:
1 of 1	—	A	900274	B

**NOTES:**

- 1)CHECK THAT THE LOCKS AND POWER SUPPLY ARE ALL SET FOR 24V OPERATION
- 2)MAKE SURE ALL 6110's ARE SET TO MAINTAINED



**SYSTEM OPERATION:**

All doors normally unlocked.

#6110-CB-ILM-24V inside pushbutton control locks the system only when all doors are closed .

Emergency access is accomplished by actuating any #6110-EO-ILM-24V override pushbutton located outside each door.

All buttons are illuminated when system is locked.

All doors will automatically unlock upon a fire alarm condition.



DynaLock Corporation  
705 Emmett Street • Bristol, CT 06010  
Tel: (860) 582-4761 • Fax: (860) 585-0338

*Custom Engineered  
System Document*

DRWN: JAS Date: 06/12/02  
REV'D: MJL Date: 09/05/08  
CHK'D: Date:  
APPV'D: JLS Date: 09/24/08

Title: SYSTEM WIRING DIAGRAM  
3-DOOR COMMUNICATING BATHROOM INTERLOCK  
WITH FIRE ALARM CONTROL INTERFACE

Page 1 Of 1 Scale: — Size: A Drawing #: 900419 REV: