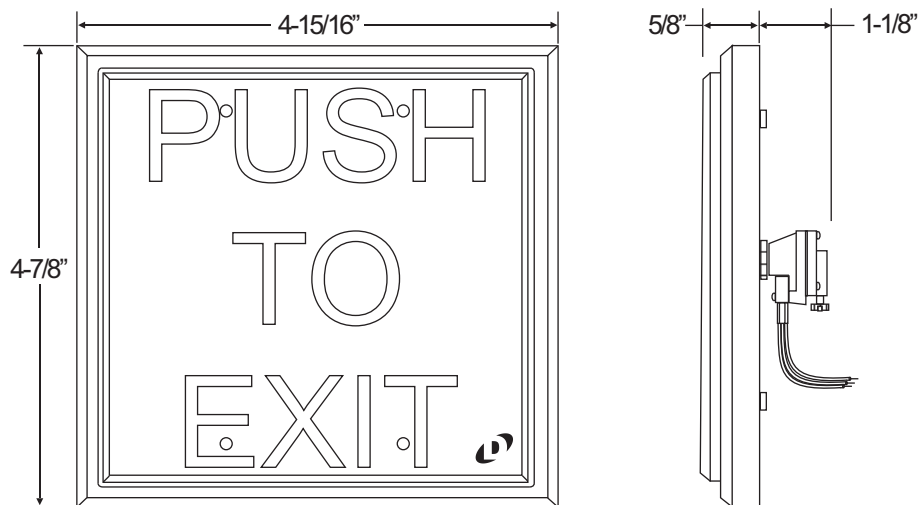


SPECIFICATIONS



DYNALOCK MODEL #6951 PUSHPLATE FEATURES:

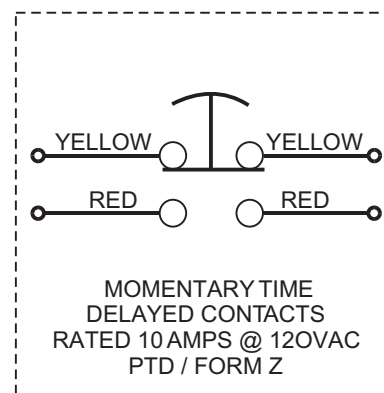
DOUBLE GANG RECESSED STYLE RED ANODIZED ALUMINUM PUSHPLATE WITH "PUSH TO EXIT" ENGRAVED SIGNAGE:
WHITE, 1" HEIGHT, 1/8" STROKE

2-60 SECOND TIME DELAYED MOMENTARY CONTACTS

7" COLOR-CODED #18AWG WIRE LEAD TERMINATIONS

WIRING INFORMATION

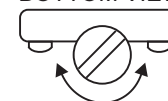
SCHEMATIC



TIME DELAY ADJUSTMENT

TIME DELAY ADJUSTMENT KNOB

BOTTOM VIEW



TURN CW TO INCREASE
TURN CCW TO DECREASE

TIME DELAY ADJUSTMENT
RANGE = 2 - 60 SECONDS



DynaLock Corporation
705 Emmett Street • Bristol, CT 06010
Tel: (860) 582-4761 • Fax: (860) 585-0338

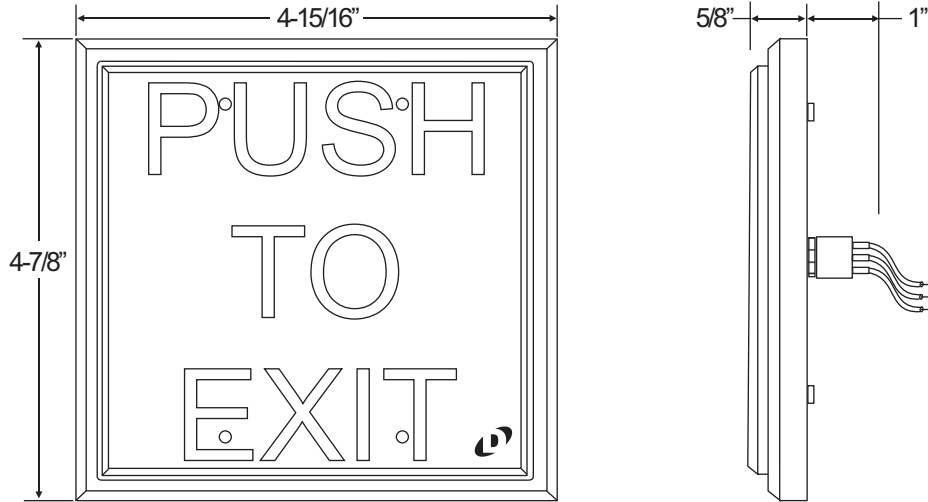
Installation Instructions

DRWN:	Date:
MJL	08/28/08
CHK'D:	Date:
JAS	08/29/08
CHK'D:	Date:
APPV'D:	Date:

Title:
6951 PUSHPLATE, DOUBLE GANG

Page	Scale:	Size:	Drawing #:	REV:
1 Of 1	—	A	600390	—

SPECIFICATIONS



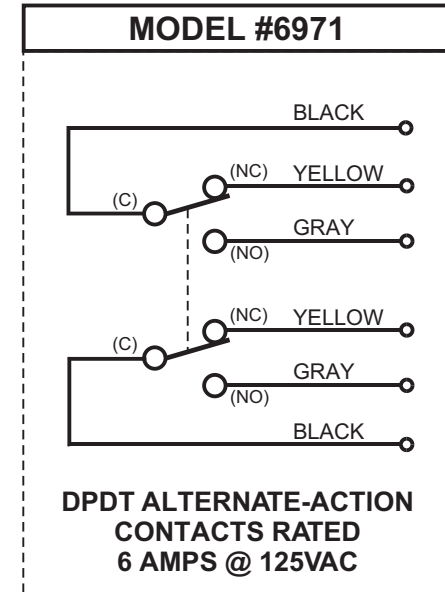
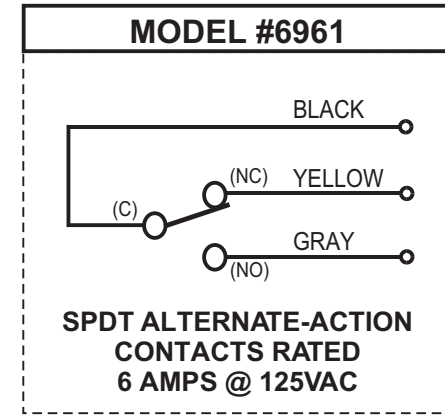
DYNALOCK MODEL #6961 / 6971 PUSHPLATE FEATURES:

DOUBLE GANG RECESSED STYLE RED ANODIZED ALUMINUM PUSHPLATE WITH "PUSH TO EXIT" ENGRAVED SIGNAGE:
WHITE, 1" HEIGHT, 1/8" STROKE

7" COLOR-CODED #18AWG WIRE LEAD TERMINATIONS.

6961 - SPDT / ALTERNATE-ACTION CONTACTS, RATED 6 AMPS @ 125VAC
6971 - DPDT / ALTERNATE-ACTION CONTACTS, RATED 6 AMPS @ 125VAC

WIRING INFORMATION



DynaLock Corporation
705 Emmett Street • Bristol, CT 06010
Tel: (860) 582-4761 • Fax: (860) 585-0338

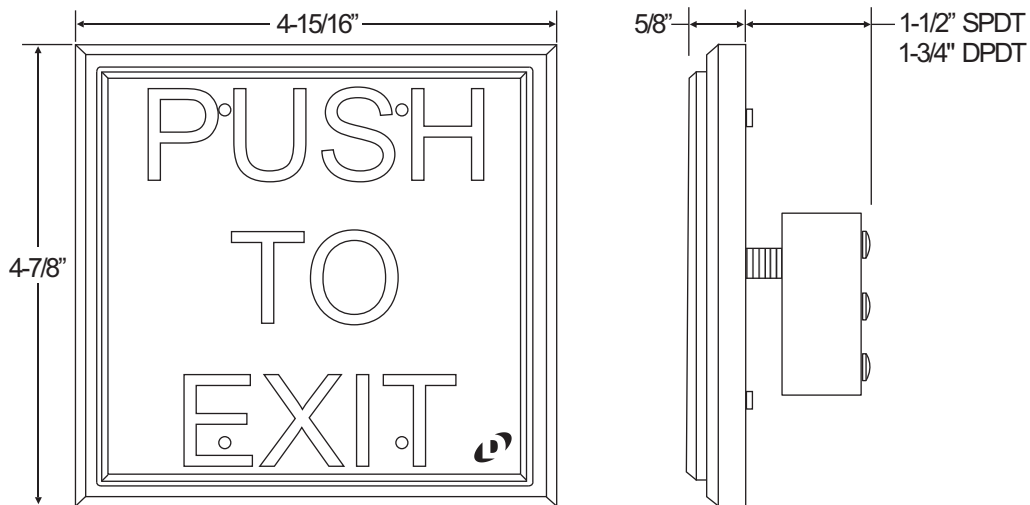
Installation Instructions

DRWN: MJL Date: 08/28/08
CHK'D: JAS Date: 08/29/08
CHK'D: Date:
APPV'D: Date:

Title: **6961 / 6971 PUSHPLATE DOUBLE GANG**

Page 1 Of 1 Scale: — Size: A Drawing #: **600391** REV: —

SPECIFICATIONS



DYNALOCK MODEL #6981 / 6991 PUSHPLATE FEATURES:

DOUBLE GANG RECESSED STYLE RED ANODIZED ALUMINUM PUSHPLATE WITH "PUSH TO EXIT" ENGRAVED SIGNAGE:
WHITE, 1" HEIGHT, 1/8" STROKE

LABELED SCREW TERMINAL CONNECTIONS

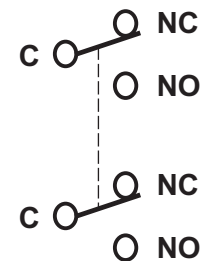
6981 - SPDT / MOMENTARY CONTACTS, RATED 15 AMPS @ 125VAC
6991 - DPDT / MOMENTARY CONTACTS, RATED 10 AMPS @ 125VAC

WIRING INFORMATION

MODEL #6981 (SPDT)



MODEL #6991 (DPDT)



DynaLock Corporation
705 Emmett Street • Bristol, CT 06010
Tel: (860) 582-4761 • Fax: (860) 585-0338

Installation Instructions

DRWN:	MJL	Date:	08/28/08
CHK'D:	JAS	Date:	08/29/08
CHK'D:		Date:	
APPV'D:		Date:	

Title: **6981 / 6991 PUSHPLATE
DOUBLE GANG**

Page	Scale:	Size:	Drawing #:	REV:
1 Of 1	—	A	600392	