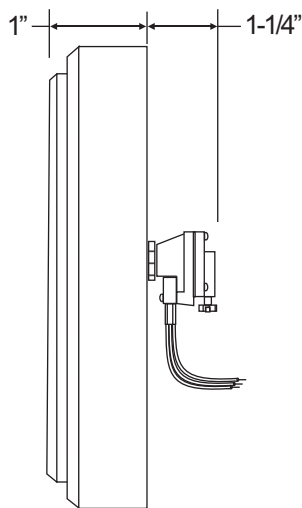
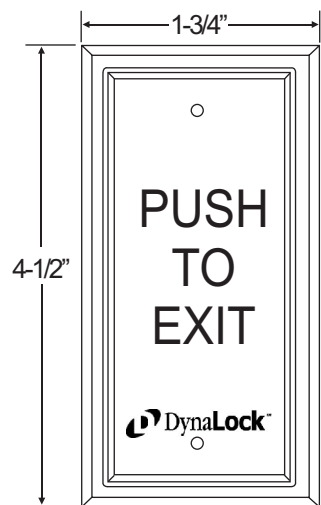


SPECIFICATIONS



DYNALOCK MODEL #6850 PUSHPLATE FEATURES:

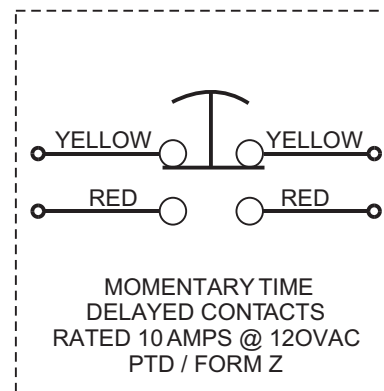
SOLID ALUMINUM PUSHPLATE WITH 2-60 SECOND TIME DELAYED MOMENTARY CONTACTS AND "PUSH TO EXIT" ENGRAVED SIGNAGE

NARROW RECESSED STYLE SOLID ALUMINUM FACEPLATE.

7" COLOR-CODED #18AWG WIRE LEAD TERMINATIONS.

WIRING INFORMATION

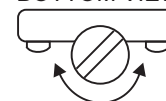
SCHEMATIC



TIME DELAY ADJUSTMENT

TIME DELAY ADJUSTMENT KNOB

BOTTOM VIEW



TURN CW TO INCREASE
TURN CCW TO DECREASE

TIME DELAY ADJUSTMENT
RANGE = 2 - 60 SECONDS



DynaLock Corporation
705 Emmett Street • Bristol, CT 06010
Tel: (860) 582-4761 • Fax: (860) 585-0338

Installation Instructions

DRWN: MJL Date: 08/25/08

CHK'D: JAS Date: 08/29/08

CHK'D: Date:

APPV'D: Date:

Title:

6850 PUSHPLATE, NARROW

Page
1 Of 1

Scale:
—

Size:
A

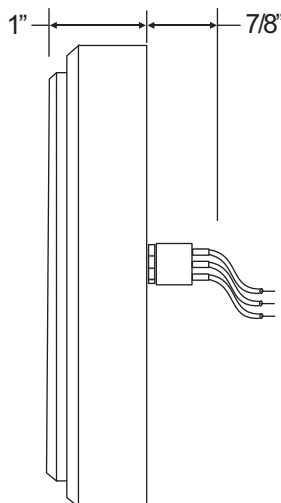
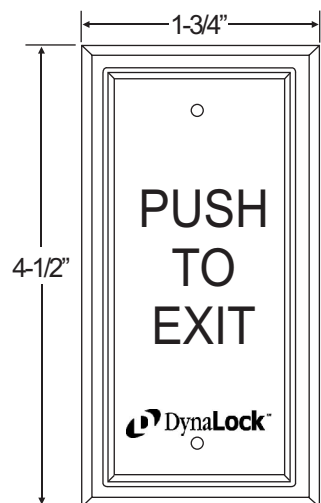
Drawing #:

600380

REV:

—

SPECIFICATIONS



DYNALOCK MODEL #6851 / 6852 PUSHPLATE FEATURES:

SOLID ALUMINUM PUSHPLATE WITH
"PUSH TO EXIT" ENGRAVED SIGNAGE

NARROW RECESSED STYLE SOLID ALUMINUM FACEPLATE.

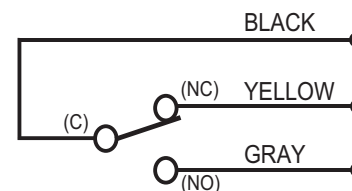
7" COLOR-CODED #18AWG WIRE LEAD TERMINATIONS.

6851 - SPDT / ALTERNATE-ACTION CONTACTS, RATED 6 AMPS @ 125VAC

6852 - DPDT / ALTERNATE-ACTION CONTACTS, RATED 6 AMPS @ 125VAC

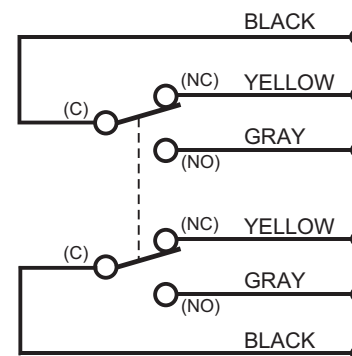
WIRING INFORMATION

MODEL #6851



**SPDT ALTERNATE-ACTION
CONTACTS RATED
6 AMPS @ 125VAC**

MODEL #6852



**DPDT ALTERNATE-ACTION
CONTACTS RATED
6 AMPS @ 125VAC**



DynaLock Corporation
705 Emmett Street • Bristol, CT 06010
Tel: (860) 582-4761 • Fax: (860) 585-0338

Installation Instructions

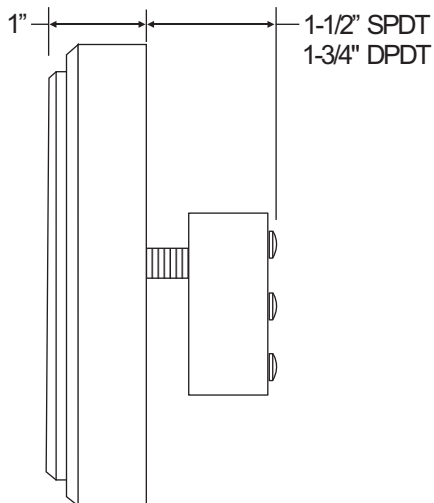
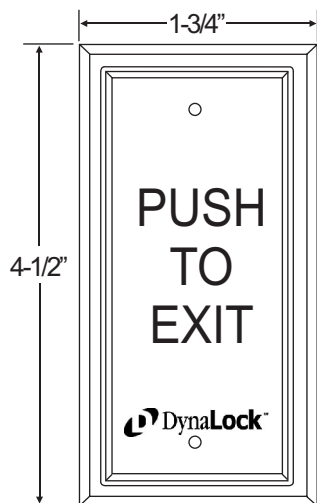
DRWN:	Date:
MJL	08/25/08
CHK'D:	Date:
JAS	08/29/08
CHK'D:	Date:
APPV'D:	Date:

Title: **6851 / 6852 PUSHPLATE
NARROW**

Page	Scale:	Size:	Drawing #:	REV:
1 Of 1	—	A	600381	—

SPECIFICATIONS

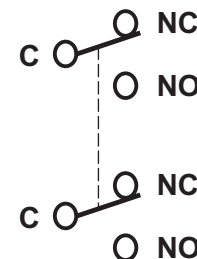
WIRING INFORMATION



MODEL #6853 (SPDT)



MODEL #6854 (DPDT)



DYNALOCK MODEL #6853 / 6854 PUSHPLATE FEATURES:

SOLID ALUMINUM PUSHPLATE WITH "PUSH TO EXIT" ENGRAVED SIGNAGE

NARROW RECESSED STYLE SOLID ALUMINUM FACEPLATE.

LABELED SCREW TERMINAL CONNECTIONS

6853 - SPDT / MOMENTARY CONTACTS, RATED 15 AMPS @ 125VAC

6854 - DPDT / MOMENTARY CONTACTS, RATED 10 AMPS @ 125VAC



DynaLock Corporation
705 Emmett Street • Bristol, CT 06010
Tel: (860) 582-4761 • Fax: (860) 585-0338

Installation Instructions

DRWN:	Date:
MJL	08/25/08
CHK'D:	Date:
JAS	08/29/08
CHK'D:	Date:
APPV'D:	Date:

Title: **6853 / 6854 PUSHPLATE NARROW**

Page	Scale:	Size:	Drawing #:	REV:
1 Of 1	—	A	600382	