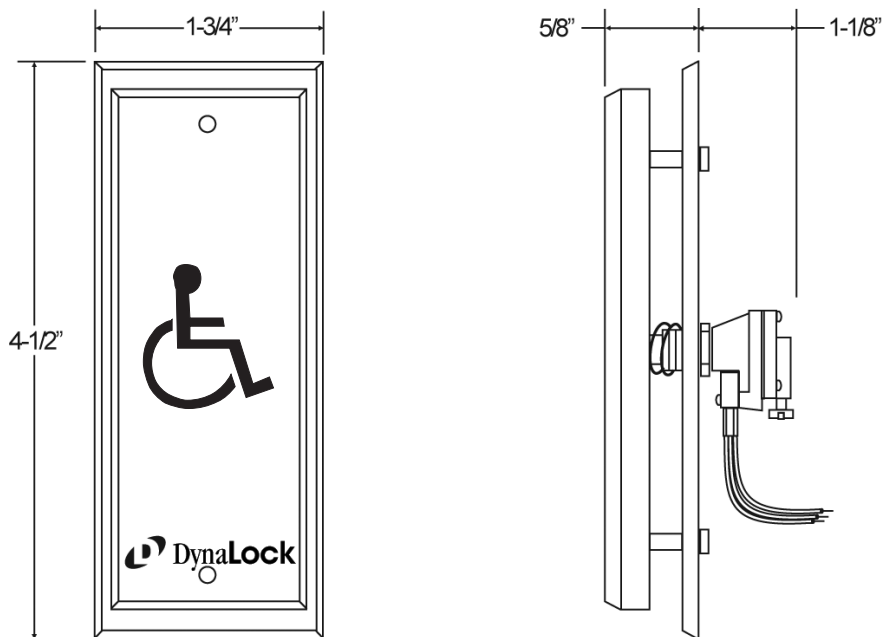


SPECIFICATIONS



DYNALOCK MODEL #6805 PUSHPLATE FEATURES:

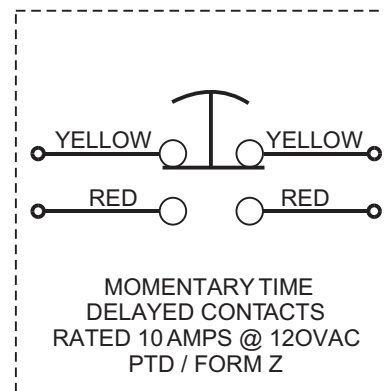
1-1/2" x 4" SOLID ALUMINUM PUSHPLATE WITH 2-60 SECOND TIME DELAYED MOMENTARY CONTACTS WITH ENGRAVED BLUE HANDICAPPED SYMBOL

NARROW MULLION STYLE SOLID ALUMINUM FACEPLATE.

7" COLOR-CODED #18AWG WIRE LEAD TERMINATIONS.

WIRING INFORMATION

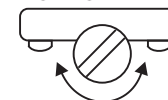
SCHEMATIC



TIME DELAY ADJUSTMENT

TIME DELAY ADJUSTMENT KNOB

BOTTOM VIEW



TURN CW TO INCREASE
TURN CCW TO DECREASE

TIME DELAY ADJUSTMENT
RANGE = 2 - 60 SECONDS



DynaLock Corporation
705 Emmett Street • Bristol, CT 06010
Tel: (860) 582-4761 • Fax: (860) 585-0338

Installation Instructions

DRWN: MJL Date: 08/27/08
CHK'D: JAS Date: 08/29/08
CHK'D: Date:
APPV'D: Date:

Title:

6805 PUSHPLATE, NARROW

Page
1 Of 1

Scale:
—

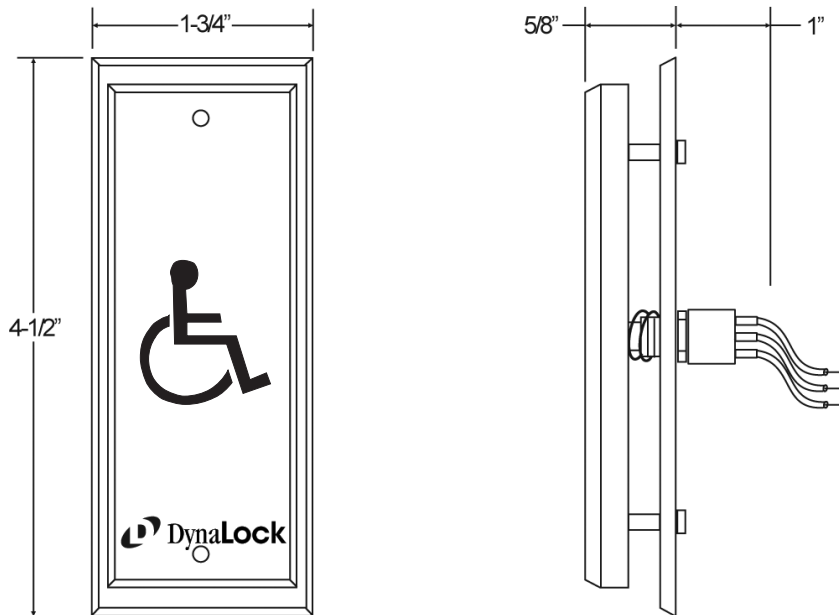
Size:
A

Drawing #:

600384

REV:
—

SPECIFICATIONS



DYNALOCK MODEL #6815 / 6825 PUSHPLATE FEATURES:

1-1/2" x 4" SOLID ALUMINUM PUSHPLATE WITH ENGRAVED BLUE HANDICAPPED SYMBOL

NARROW MULLION STYLE SOLID ALUMINUM FACEPLATE.

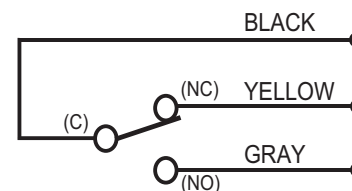
7" COLOR-CODED #18AWG WIRE LEAD TERMINATIONS.

6815 - SPDT / ALTERNATE-ACTION CONTACTS, RATED 6 AMPS @ 125VAC

6825 - DPDT / ALTERNATE-ACTION CONTACTS, RATED 6 AMPS @ 125VAC

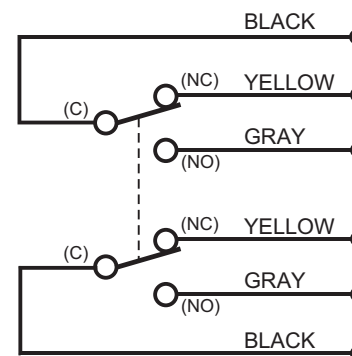
WIRING INFORMATION

MODEL #6815



SPDT ALTERNATE-ACTION CONTACTS RATED 6 AMPS @ 125VAC

MODEL #6825



DPDT ALTERNATE-ACTION CONTACTS RATED 6 AMPS @ 125VAC



DynaLock Corporation
705 Emmett Street • Bristol, CT 06010
Tel: (860) 582-4761 • Fax: (860) 585-0338

Installation Instructions

DRWN: MJL Date: 08/27/08

CHK'D: JAS Date: 08/29/08

CHK'D: Date:

APPV'D: Date:

Title: **6815 / 6825 PUSHPLATE NARROW**

Page 1 Of 1

Scale: —

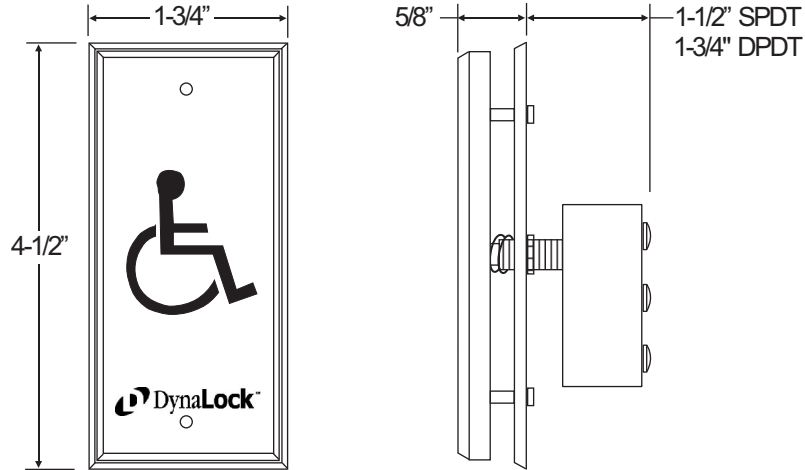
Size: A

Drawing #:

600385

REV: —

SPECIFICATIONS



DYNALOCK MODEL #6835 / 6845 PUSHPLATE FEATURES:

SOLID ALUMINUM PUSHPLATE WITH ENGRAVED BLUE HANDICAPPED SYMBOL

NARROW MULLION STYLE SOLID ALUMINUM FACEPLATE.

LABELED SCREW TERMINAL CONNECTIONS

6835 - SPDT / MOMENTARY CONTACTS, RATED 15 AMPS @ 125VAC

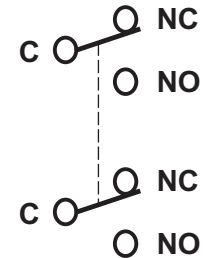
6845 - DPDT / MOMENTARY CONTACTS, RATED 10 AMPS @ 125VAC

WIRING INFORMATION

MODEL #6835 (SPDT)



MODEL #6845 (DPDT)



DynaLock Corporation
705 Emmett Street • Bristol, CT 06010
Tel: (860) 582-4761 • Fax: (860) 585-0338

Installation Instructions

DRWN:	Date:
MJL	08/27/08
CHK'D:	Date:
JAS	08/29/08
CHK'D:	Date:
APPV'D:	Date:

Title: **6835 / 6845 PUSHPLATE NARROW**

Page	Scale:	Size:	Drawing #:	REV:
1 Of 1	—	A	600386	