

6451 Series

Exit Sensor Bar



Releases an electric lock when activated by any means including:

- *Touch*
- *Shopping Carts*
- *Gurneys*
- *Wheelchairs*
- *Any other device*

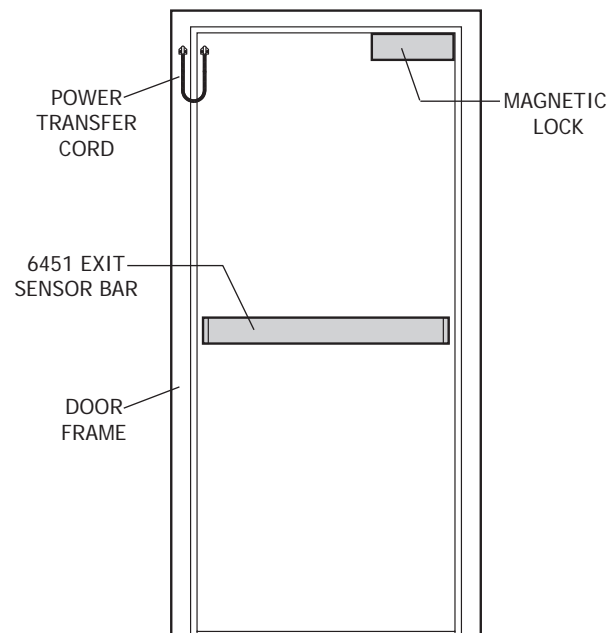
Description

The non-latching 6451 Exit Sensor Bar offers immediate “no prior knowledge” egress by pushing on the bar at any point, with 15 Lbs. or less pressure.

A light touch is all that is required to activate one or both internal optical sensors designed to detect an exit attempt. A built-in mechanical switch is also included as a redundant back-up release.

Dual sensors, fail-safe electronics and successful testing in excess of one million cycles offer the user unparalleled reliability and low maintenance costs.

Installation is simple. Complicated tune-in procedure and frequent call-backs for re-adjustment are not required.



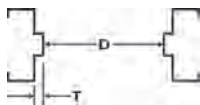
6451 Series Exit Sensor Bar

Standard Features

- Optical sensing electronics controlling lock and signal functions have no moving parts to wear out.
- Built-in redundant mechanical switch for back-up release.
- No tune-in required - complicated calibration and fine tuning are unnecessary and return calls are eliminated.
- Three standard bar lengths are offered - bar may be field or factory cut to suit special applications (See CLC Option).
- Bar may be activated by anything - human touch, briefcase, cane, wheelchair, etc. will activate the 6451. Ideal for ADA compliant installations.
- Weather resistant electronics - conformal coated circuitry resists moisture damage.
- All-metal construction - the entire bar, including end caps, is made of aircraft-grade aluminum, offering high resistance to abuse and vandalism.
- Armored power transfer cord - furnished standard.
- Dual output standard - DPDT contacts provide lock control and alarm shunting capabilities.
- Built-in spike suppression - all input/output terminals are protected from line spikes.
- Variable input power - operating voltage 12 to 24 VAC/VDC.
- Architectural finishes - US28 satin aluminum is standard. US10B dark bronze and US4 satin brass also available. Entire bar is finished, including the end caps.
- Contemporary design - architecturally engineered to offer one of the lowest profiles in the industry.
- Unit is non-handed - suitable for LHR or RHR doors.

Options

- CAB64** CABLE KIT - 16 feet, 8-conductor 22 AWG jacketed hook-up cable to facilitate field wiring.
- TSB** Mounting pads modified to match Securitron[®] TSB mounting footprint.
- SF** SPECIAL FINISHES - To match existing architectural trim. Dark Bronze or Satin Brass available.
- WDK** WOOD DOOR KIT - Four thru-bolts and four sex nuts.
- DMB** DUMMY BAR - Bar less electronics.
- PTE** PUSH TO EXIT Engraved Signage - 1" high, 1/8" stroke, red filled.
- CLC** CUSTOM LENGTH CUT - Specify desired overall finished length of Exit Sensor Bar.



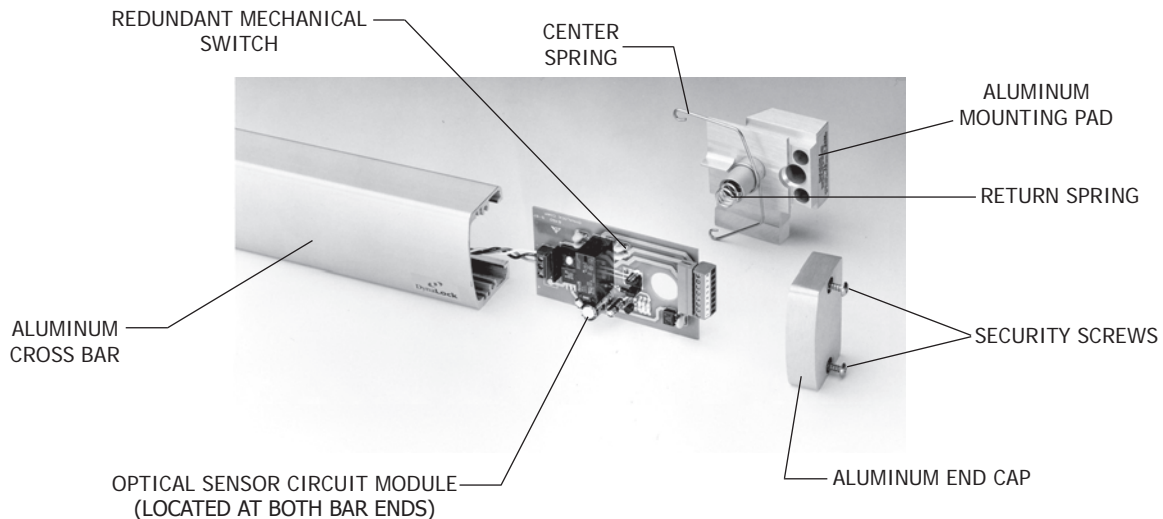
TIP: To calculate Custom Length Cut, subtract 3/4" from the distance between door stops (D).



PTE OPTION

6451 Series Exit Sensor Bar

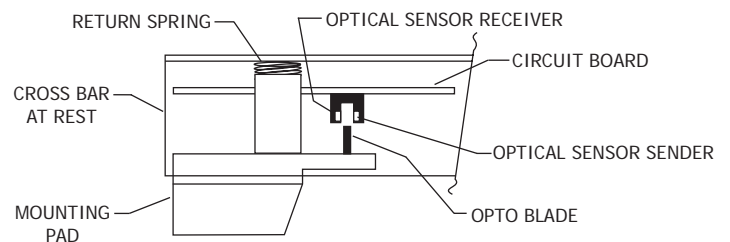
Internal Components



6451 Sensor Operation

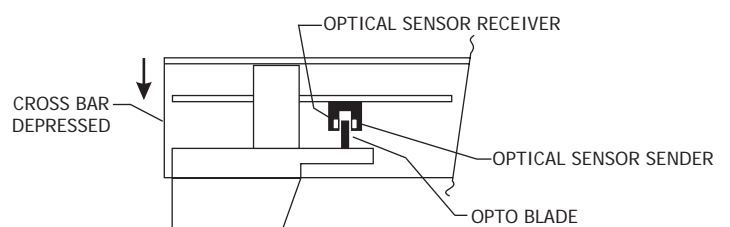
Exit Sensor Bar at rest.

Optical sensor path unobstructed.
Internal relay energized, contacts held closed,
electric lock energized.



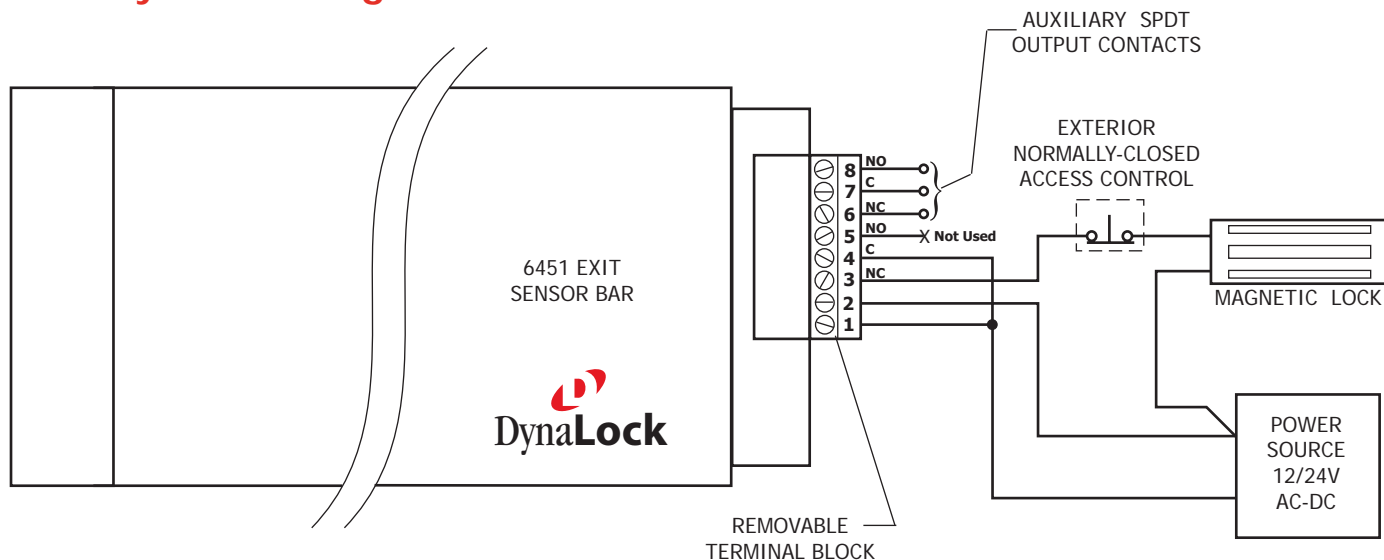
Exit Sensor Bar actuated.

(Cross bar depressed)
Optical sensor path interrupted by opto blade.
Internal relay de-energized, opening contacts,
releasing electric lock.
Redundant mechanical switch will also trigger
as safety back-up.



6451 Series Exit Sensor Bar

Basic System Wiring



Specifications

MECHANICAL

| | |
|------------------|---|
| Bar Length: | 36" Door = 34" Overall Length 42" Door = 40" Overall Length 48" Door = 46" Overall Length |
| Bar Width: | 2-7/16" |
| Bar Projection: | 2-3/8" |
| Operating Force: | 15 Lbs. Maximum |
| Operating Temp: | -10° to 120° F |
| Life Expectancy: | 1,000,000 Cycles Minimum |
| Construction: | Aluminum |
| Std. Finish: | US28 Satin Aluminum |
| Warranty: | Lifetime |

ELECTRICAL

| | |
|----------------|---|
| Input Voltage: | 12 to 24 VAC/VDC |
| Current Draw: | 100 mA Maximum |
| Output: | DPDT Dry Contacts Rated 5 Amps @ 24V |
| Terminations: | Removable Terminal Block |
| Exit Sensors: | Dual Photo-optical, Mechanical Back-up |

POWER TRANSFER

5/16" Dia. x 18" Steel Flex Cable, Less Wires

DYNALOCK CORPORATION
705 EMMETT STREET / PO BOX 2728
BRISTOL, CT 06011-2728
PHONE: 877-DYNALOCK / FAX: 860-585-0338
E-MAIL: INFO@DYNALOCK.COM
WEBSITE: WWW.DYNALOCK.COM

Featuring

DynaLife[®]
Lifetime Warranty