

6420 Series

Passive Infrared Request-To-Exit Sensor



- **Selectable Input Voltage**
- **Single or Double Door Coverage**
- **Two Relay Output Contacts**
- **Adjustable Relay Hold Time**



Description

The DynaLock Series 6420 passive infrared Request-To-Exit sensor detects the differential between a human body and the floor. Featuring a dual-pyroelectric design, for increased stability against external light, the 6420's pyramid-shaped detection field is positionable from straight-down vertical to 35° in front of the door and special circuitry provides high immunity to RFI and other electrical noise. Two, built-in SPDT dry relay output contacts are rated for 1 Amp @ 30VDC and an adjustable timer may be set for from 0.25 to 60 seconds of relay hold time. Additionally, the output relay's mode may be set for fail-safe or fail-secure operation and an on-board LED indicator may be set to illuminate during relay hold time.

The 6420 accepts 12 to 24 VAC/VDC input power and is designed for wall, ceiling or door frame mounting. It is ideally suited for access control, lock release, alarm shunting and automatic door operation.

Standard Features

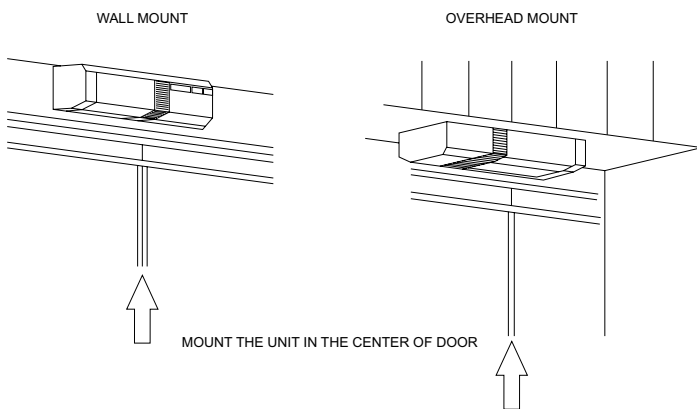
- **Adjustable Coverage Area:** Angle adjustment from straight-down vertical to 35° in front of door.
- **Single or Double Door Coverage:** Adjustable, two-position mirror.
- **Two SPDT Relay Output Contacts:** Rated 1 Amp @30VDC.
- **Adjustable Relay Timer:** Adjusts for 0.25 to 60 seconds of relay hold time.
- **Fail-Safe or Fail-Secure Relay Mode:** DIP switch-selectable.
- **Paintable, Snap-on Housing Cover:** Easy to install and service, with built-in wire trough.
- **Selectable Input Voltage:** Accepts 12 to 24 VAC/VDC.
- **5 Year Limited Warranty**

6420 Series Passive Infrared Request-To-Exit Sensor

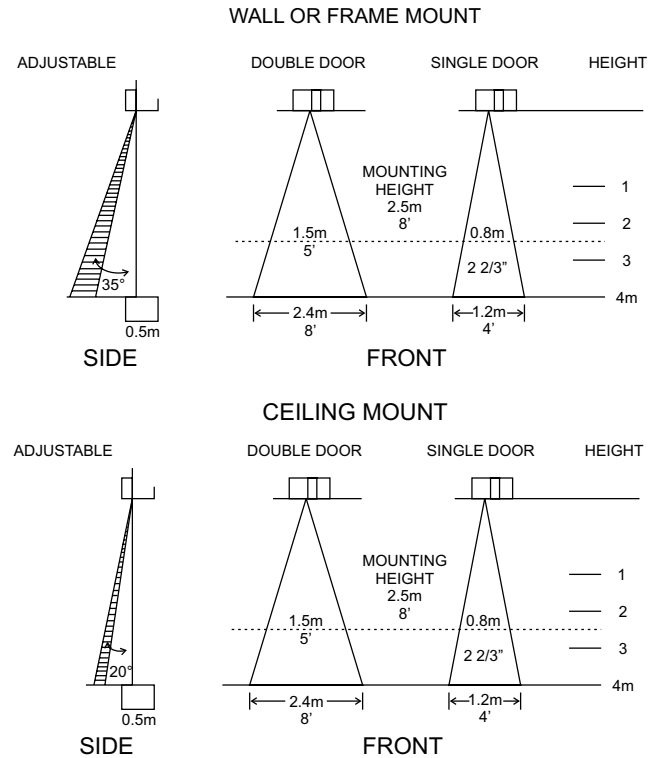
Specifications

6420 REQUEST TO EXIT SENSOR	
DETECTION SYSTEM	PASSIVE INFARED
DETECTION AREA	13' (4m) MAX MOUNTING HEIGHT SINGLE DOOR OR DOUBLE DOOR, SELECTABLE PATTERN ADJUSTABLE RANGE: WALL MOUNT VERTICALLY 35° ADJUSTABLE RANGE: OVERHEAD MOUNT VERTICALLY 20° ADJUSTABLE SENSITIVITY
POWER SUPPLY	12 TO 24VDC (NON PARALITY) OR 12 TO 24VAC (50Hz/60Hz) (WHEN OPERATED AT AC20 TO 24V CONNECT ATTACHED RESISTOR)
POWER CONSUMPTION	40mA OR LESS/DC 70mA OR LESS/AC
OUTPUT	DRY CONTACT RELAY (2) SPDT OPERATION HOLD TIME: ADJUSTABLE 0.25 SEC TO 60 SEC CONTACT CAPACITY: 30V (DC) 1A OR LESS 125V (AC) 0.6A OR LESS SELECTABLE RELAY OPERATION: FAIL SAFE OR FAIL SECURE
LED	GREEN OPERATION: SYNCHRONOUS DRY CONTACT RELAY (LED DISABLED)
WIRING CONNECTION	TERMINALS
TEMP. RANGE	+14°F TO +122°F (-10°C TO +50°C) WITHOUT CONDENSATION
MOUNTING POSITION	WALL, CEILING ON OR UNDER FRAME (INDOOR)
WEIGHT	5.95 oz (170g)
APPEARANCE	WHITE BODY (ABS RESIN) WHITE WINDOW (PE RESIN)
ACCESSORIES	TAPPING SCREW: (2PCS) COVER LOCK SCREW (1PC) RESISTOR: (1PC) CONNECT WHEN OPERATED AT AC20 TO 24V (82 OHMS, 3W)

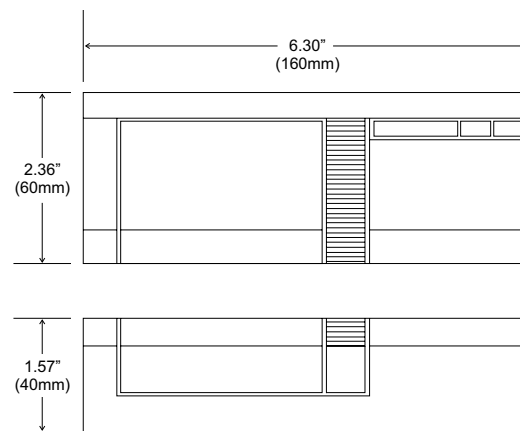
Installation



Detection Area



External Dimensions



DYNALOCK CORPORATION
705 EMMETT STREET / PO BOX 2728
BRISTOL, CT 06011-2728
PHONE: 877-DYNALOCK / FAX: 860-585-0338
E-MAIL: INFO@DYNALOCK.COM
WEBSITE: WWW.DYNALOCK.COM

Featuring

DynaLife[®]
Lifetime Warranty