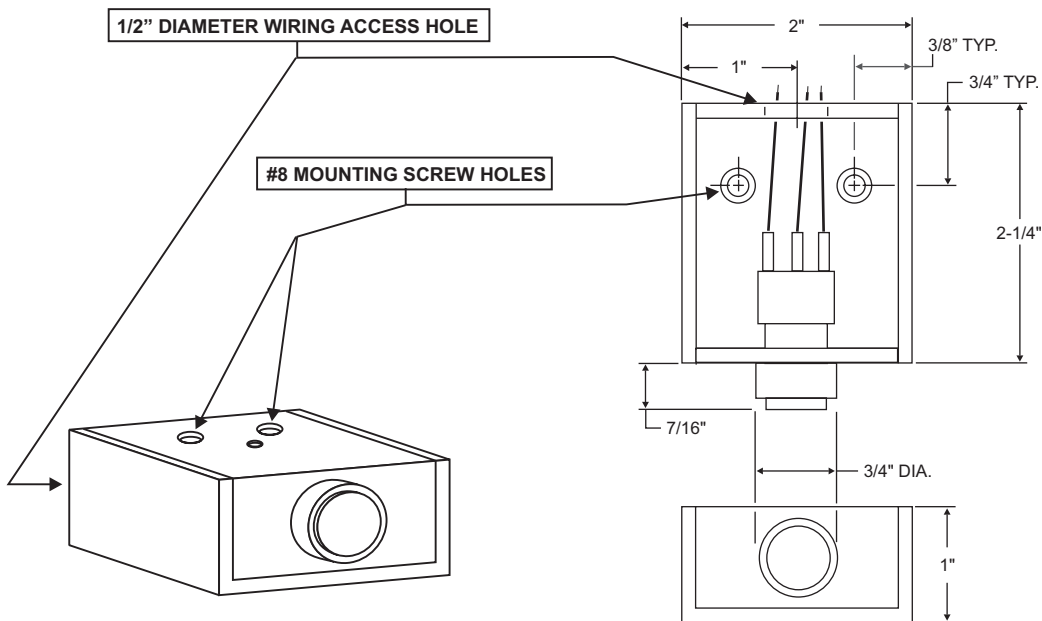


SPECIFICATIONS



DYNALOCK MODEL #6335, 6336 UNDER-DESK PUSH BUTTONS FEATURES:

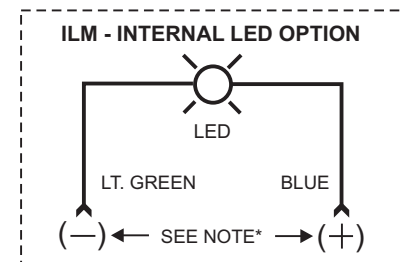
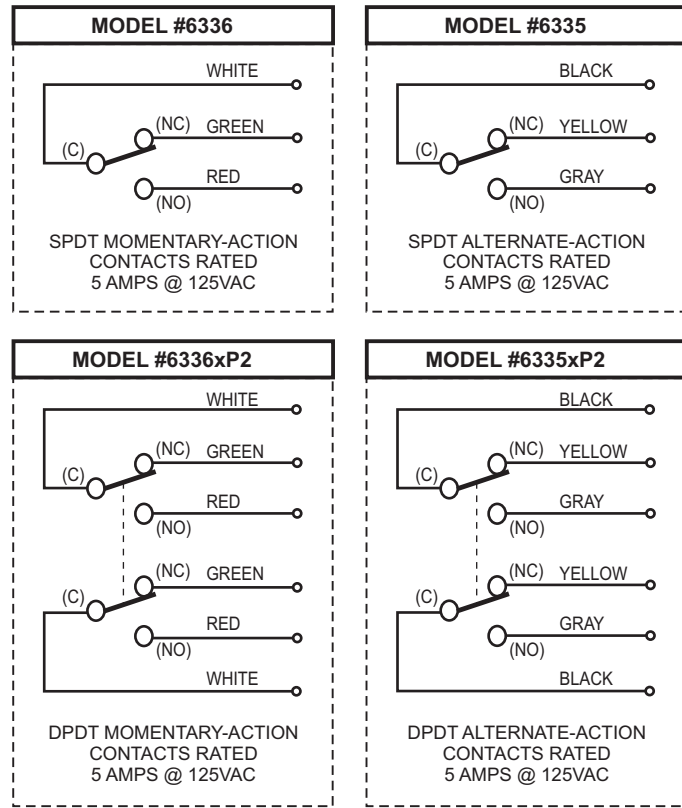
5/8" DIA. GREEN PLASTIC BUTTON, ON BRUSHED ALUMINUM MINIATURE SURFACE- MOUNT BOX.

7" COLOR-CODED #18AWG WIRE LEAD TERMINATIONS.

SPDT CONTACTS RATED 5 AMPS @ 125VAC.
 6335 IS ALTERNATE-ACTION/MAINTAINED.
 6336 IS MOMENTARY-ACTION.

OPTIONAL ILLUMINATED BUTTON ('ILM' OPTION, AS ORDERED).
 SEE WIRING INFORMATION FOR DETAILS.

WIRING INFORMATION



***NOTE:**
 ILM OPTION VOLTAGE ____ 12VDC ____ 24VDC



TITLE
**MODEL #6335, #6336 UNDER-DESK
 PUSH BUTTONS**

DRN. BY MJL
 DATE 09/30/05
 SCALE ____

DWG. NO.
600251-A