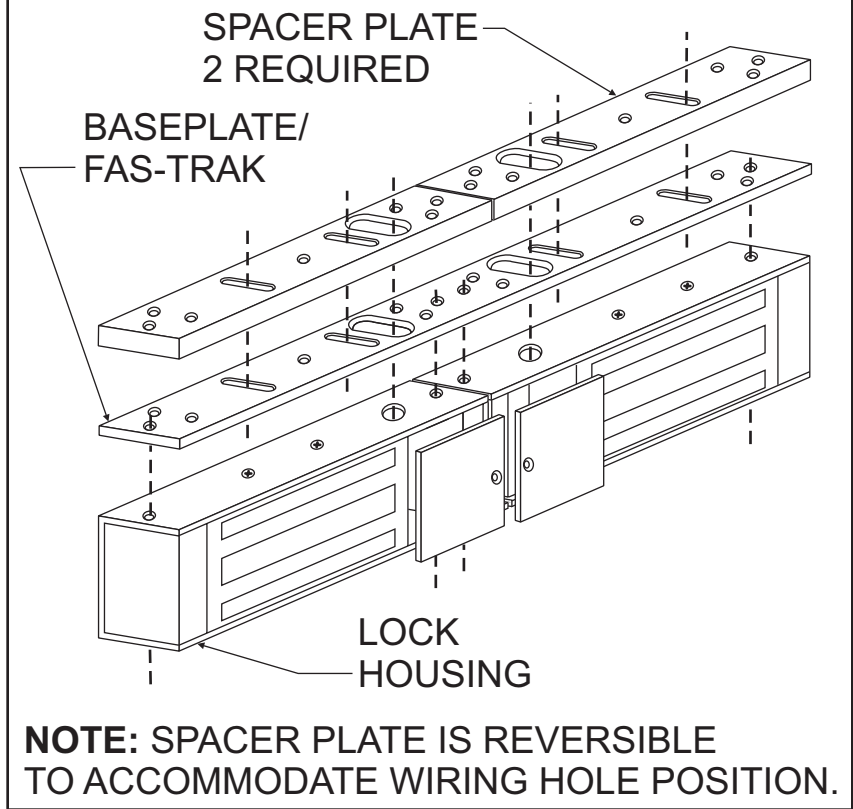
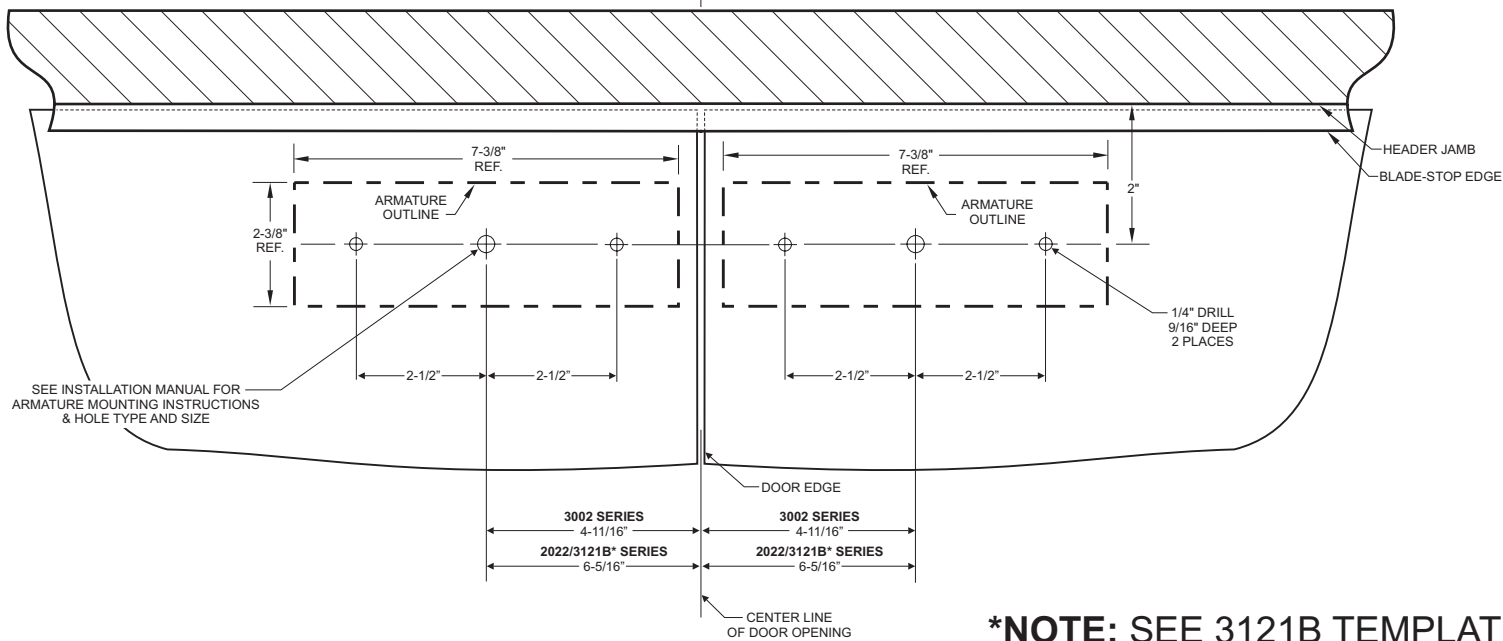
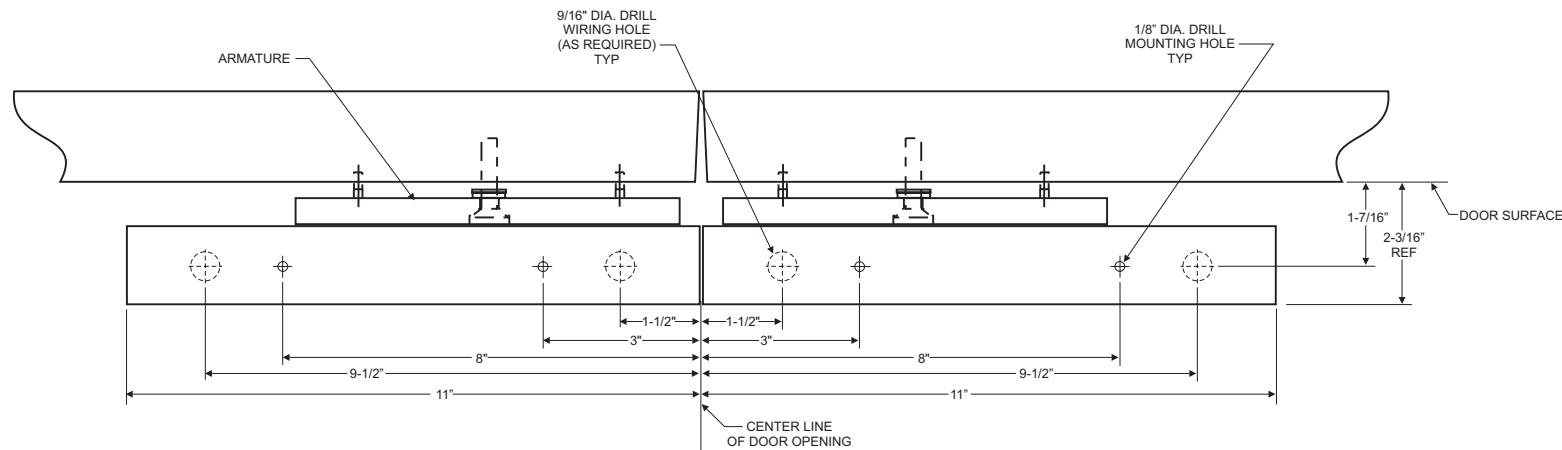



# SUPPLEMENTAL INSTRUCTIONS



**\*NOTE: SEE 3121B TEMPLATE FOR ADDITIONAL MOUNTING HOLE LOCATIONS.**

|  |                                |                                     |                                   |          |         |                           |      |
|--|--------------------------------|-------------------------------------|-----------------------------------|----------|---------|---------------------------|------|
|  <p><b>DynaLock</b><br/>DynaLock Corporation<br/>705 Emmett Street • Bristol, CT 06010<br/>Tel: (860) 582-4761 • Fax: (860) 585-0338</p> | <p><i>Template Drawing</i></p> | DRWN: MJL      Date: 11/29/05       | Title: <b>TEMPLATE DRAWING</b>    |          |         |                           |      |
|  |                                | CHK'D: JAS      Date: 12/01/05      | <b>FOR 2022/3002/3121B SERIES</b> |          |         |                           |      |
|  |                                | APPV'D:      Date:                  | Page: 1 Of 1                      | Scale: — | Size: A | Drawing #: <b>301225B</b> | REV: |
|  |                                | USING (2) MODEL #4301 SPACER PLATES |                                   |          |         |                           |      |