

#### INSTALLATION DESCRIPTION

The 3101B-LP Delay Egress System is a 1500 pound holding force, low-power consumption electromagnetic lock electronically controlled to provide a 15 or 30 second delay in unlocking.

The 3101B-LP requires both mechanical and electrical installation procedures as described herein.

When completed, a simple adjustment procedure to set door movement will finalize the installation.

#### HANDLING

The electromagnetic lock and armature are ruggedly constructed and designed to provide years of trouble-free service. Care must be taken during installation and use that the lock face and armature face are kept free of dirt, rust, paint, or any other obstruction which may interfere with the lock and armature making good contact.

#### MECHANICAL INSTALLATION

Familiarize yourself with the door and frame conditions. The lock must mount rigidly to the underside of the door frame header and against the vertical strike jamb. The door mounted armature is supplied with hardware that allows it to pivot slightly and pull away from the door as part of the delayed egress function.

**NOTE: This lock does not change hands to match the hand of the door. Do not remove the coil assembly from the lock housing.**

**NOTE: If this lock is supplied with the DSM feature be certain to mount the armature with the DSM block extension opposite the sensor adjustment wheel.**

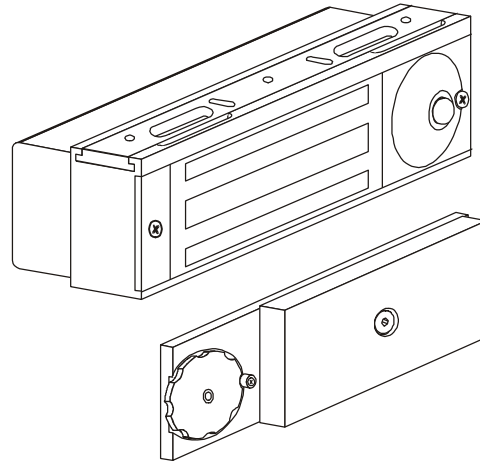
#### ELECTRICAL INSTALLATION

After mechanical installation is complete the 3101B-LP needs to be wired and adjusted. A power source, 12 VDC or VAC is required. Once low voltage power is supplied the unit is fully operational. Delay egress systems also normally require fire panel tie-in. All other wiring is for selected options.

#### TABLE OF CONTENTS

General Information.....	1
Bill Of Materials.....	2
Using The Template.....	3
Mounting The Armature Assembly.....	4
Mounting The Lock.....	5
Basic Set-Up.....	6
Basic Wiring.....	7
Egress Sensor Adjustment.....	8
Indicator Descriptions.....	9
Optional Set-Up.....	10
Option Wiring.....	11-12
Factory Wiring.....	13
Exploded Parts View.....	14-15

#### MODEL #3101B-LP BILL OF MATERIALS



- (1) 3101B-LP LOCK ASSEMBLY
- (1) ARMATURE
- (1) ARMATURE MOUNTING PLATE ASSEMBLY
- (1) HARDWARE KIT
- (1) TEMPLATE
- (1) DOOR SIGN - 15 SECONDS

#### REQUIRED TOOLS

- (1) Electric Drill
- (1) #2 Phillips Screw Driver
- (1) Soft Faced Mallet
- (1) Hammer
- (1) Center Punch
- (1) 3/16" Hex Wrench
- (1) Pencil & Tape
- Drill Bits: 1/8", 3/16", 1/4", 5/16", 3/8", 9/16"

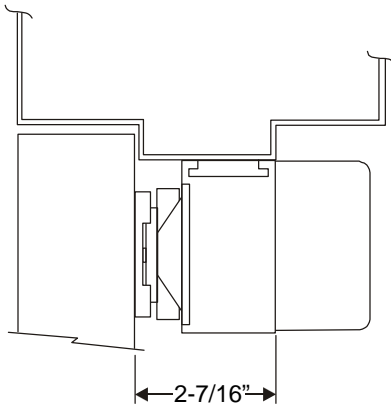
#### HARDWARE KIT CONTENTS

<u>QTY.</u>	<u>ITEM</u>	<u>DESCRIPTION</u>
(5)	Baseplate Mounting Screws	#10 x 1" phillips pan head tek screw
(1)	Armature Mounting Screw	5/16-18 x 1" hex flat head machine screw
(1)	Armature Spacer	3/8"D x 3/8"L spacer
(1)	Armature Washer	1/4" flat steel washer
(1)	Armature Spring	Compression spring
(2)	Armature Anti-Spin Pins	3/16"D x 1"L split roll pin
(4)	Armature Mounting Plate Screws	#10 x 1" phillips flat head sheet metal screw
(1)	Anti-Tamper Cover Screwdriver	#6 spanner key
(1)	Baseplate Set Screw Wrench	1/8" ball head hex wrench
(1)	Thread Locking Compound (blister pack)	Liquid thread locking compound

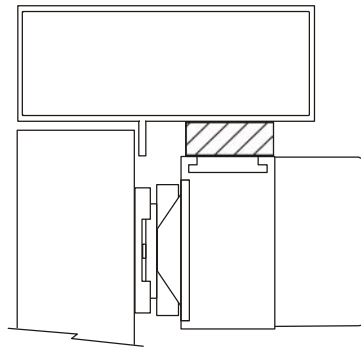
**NOTE: For further parts clarification refer to the Exploded Parts View on page 14 or consult factory.**

#### MOUNTING CONSIDERATIONS

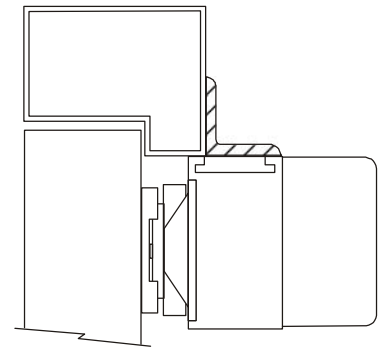
Inspect the door frame and determine if an angle bracket or filler plate will be required for installation. The lock will require a 2-7/16" wide header stop for a suitable mounting surface.



**NORMAL MOUNTING**



**\*FILLER PLATE REQUIRED**

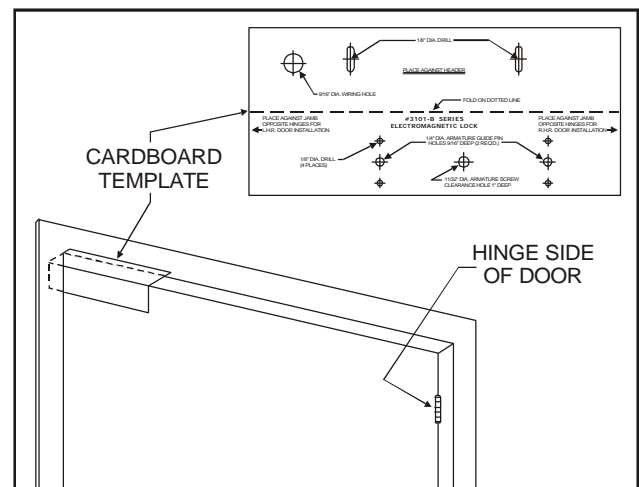


**\*ANGLE BRACKET REQUIRED**

\*These items are available from DynaLock.

#### USING THE TEMPLATE

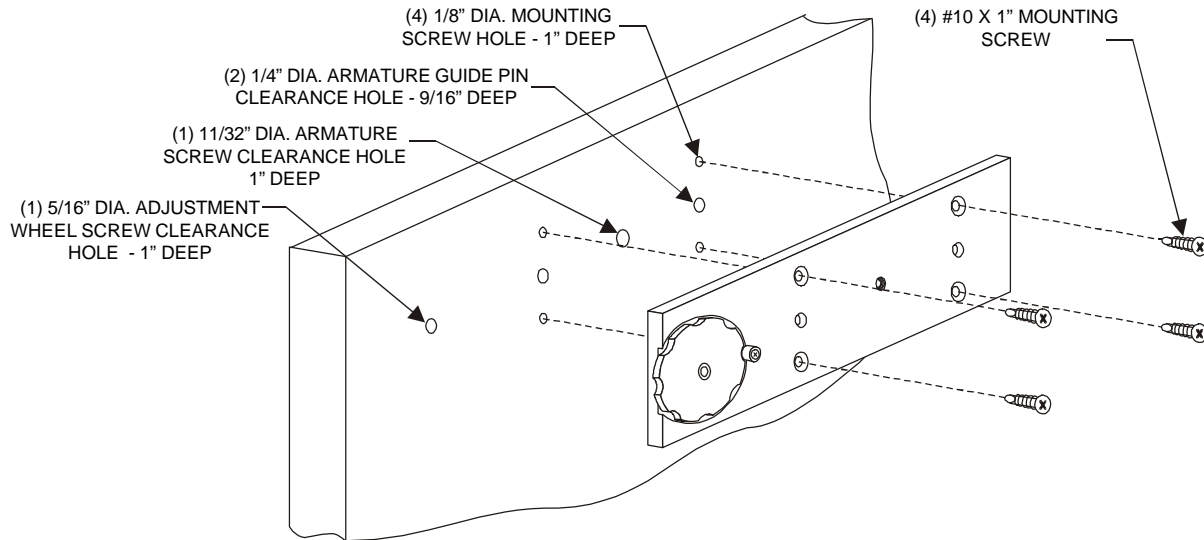
1. Fold the template on the dotted line to form a 90 degree angle. Scoring the template with a straight edge and a screwdriver will make it fold easier.
2. With the door in the closed and latched position place the template against the header and door with one edge against the vertical strike jamb and tape in place.
3. Transfer all hole locations to both the door and header with a center punch, then remove the template from the door.
4. Referring to the template drill two 1/8" dia. lock mounting holes and one 9/16" dia. wiring hole in the top of the frame, at the transferred locations.



5. Drill the remaining transferred holes in the face of the door to accept the Armature Mounting Plate Assembly:
  - a. Four 1/8" dia. mounting screw holes, 1" deep.
  - b. Two 1/4" dia. armature guide pin clearance holes, 9/16" deep.
  - c. One 3/8" dia. armature screw clearance hole, 1/4" deep min..
  - d. One 5/16" dia. adjustment wheel screw clearance hole, 1/2" deep.

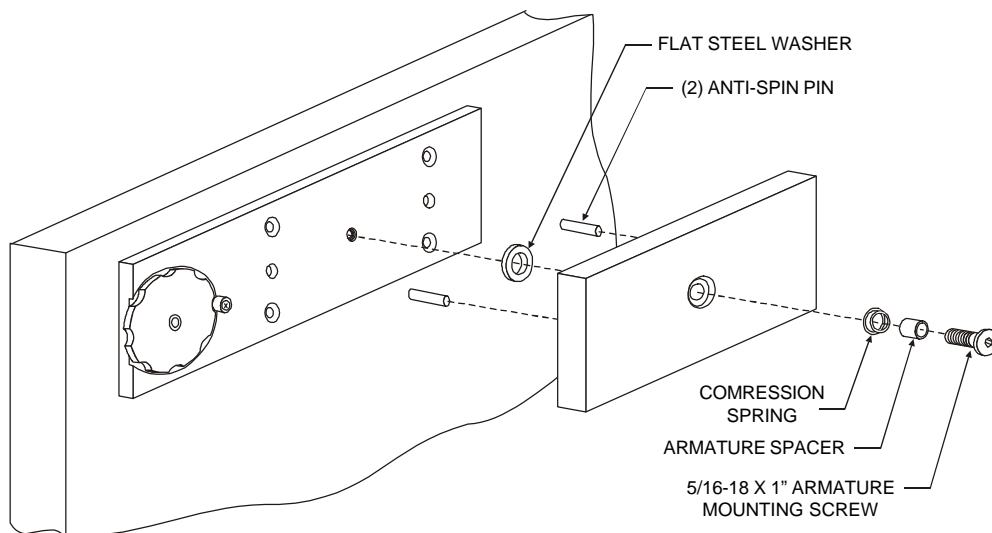
#### MOUNTING THE ARMATURE ASSEMBLY

Using the four #10 x 1" flat head sheet metal screws attach the armature mounting plate to the door. Firmly tighten the screws with a #2 phillips screw driver.



Locate the two 3/16" dia. Anti-Spin Pins from the hardware kit. Place the Armature face down on a soft surface (i.e. the shipping carton) and drive the pins into the holes provided. Attach the Armature to the Mounting Plate Assembly using the hardware supplied. Apply the supplied thread locking compound to the threads of the Armature Mounting Screw and firmly tighten with a 3/16" hex wrench. The head of the armature mounting screw must not project beyond the face of the armature. **Failure to properly secure the Armature to the door could result in serious injury or possible security breach.**

Check the installation by grasping the Armature and pulling it away from the Mounting Plate. Although the mounting screw is tight the Armature should have approximately 1/4" of free play, under slight spring tension.



#### MOUNTING THE LOCK

1. Before installation begins remove the rear Electronics Cover, End Cover and Sensor Cover Assembly (see page 14 for parts locations). Carefully unplug the sensor harness from the circuit board connector labeled J5 then detach the Sensor Cover Assembly from the lock. In the upper inside corners of the lock housing are located two #1/4-28 set screws. Using the 1/8" ball head hex wrench loosen (**do not remove**) the two set screws until the Fas-Trak Baseplate is free (Fig. "C"). Remove the Fas-Trak.
2. Place the Fas-Trak against the header with the slot counterbores visible and the tabs facing the door (Fig. "A"). Attach the Fas-Trak to the header at both slotted hole locations, with two #10 x 1" tek screws. Tighten the screws just snug enough to allow for final adjustment.
3. Temporarily mount the lock to the Fas-Trak by offsetting the lock 1-1/8" from the jamb (Fig. "C") and tipping the front of the lock down engaging the rear flange of the Fas-Trak (Fig. "B"). Rotate the lock up allowing one tab to pass through the corresponding notch in the top of the lock housing. Slide the lock into position. Close and latch the door. Check that the armature and lock faces make full contact. If any adjustment is required gently tap the housing with a soft mallet until full contact is achieved. Open the door, remove the lock from the Fas-Trak and tighten both slot screws. Drive three #10 x 1" tek screws into the header using the Fas-Trak as a physical template. Screw heads must not project above the Fas-Trak.
4. Any roughed-in wiring may be brought in at this time through the slotted wiring holes. Re-install the lock on the Fas-Trak. Firmly tighten both housing set screws with the 1/8" ball head hex wrench. Re-install the End Cover and Sensor Cover Assembly. Carefully plug the Sensor harness back into the J5 connector on the circuit board (see page 13 for connector information). **If the lock wiring and set-up are not being done at this time replace the electronic cover and see that these instructions are left for the electrical installer.**

FIG. "A"

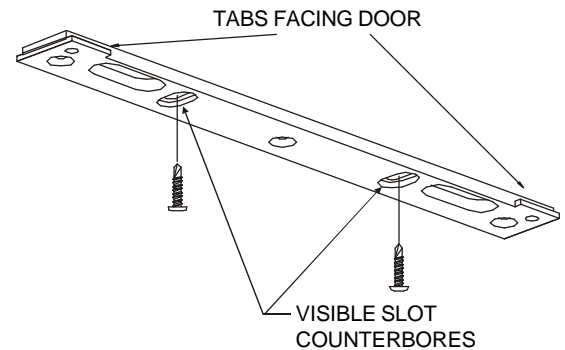


FIG. "B"

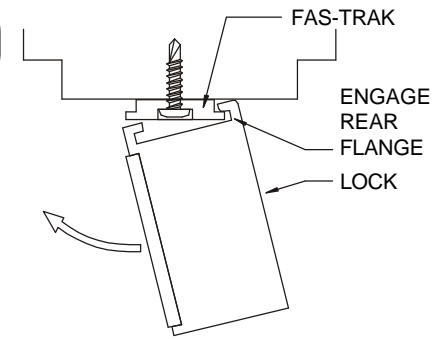
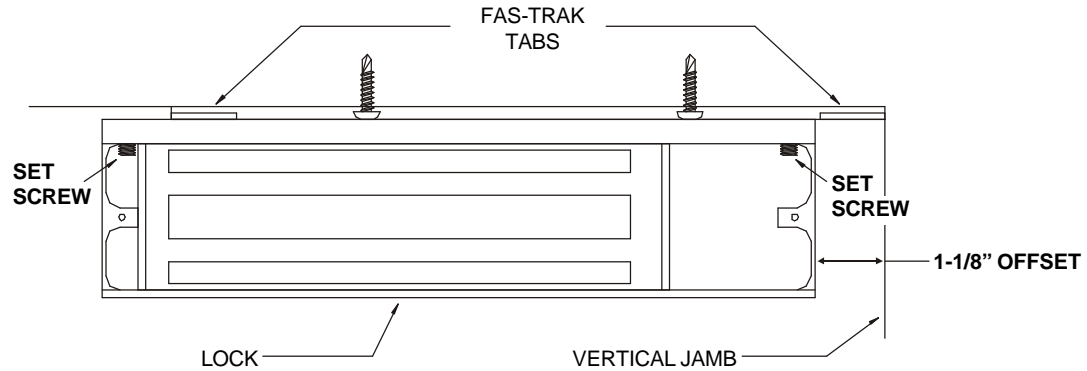
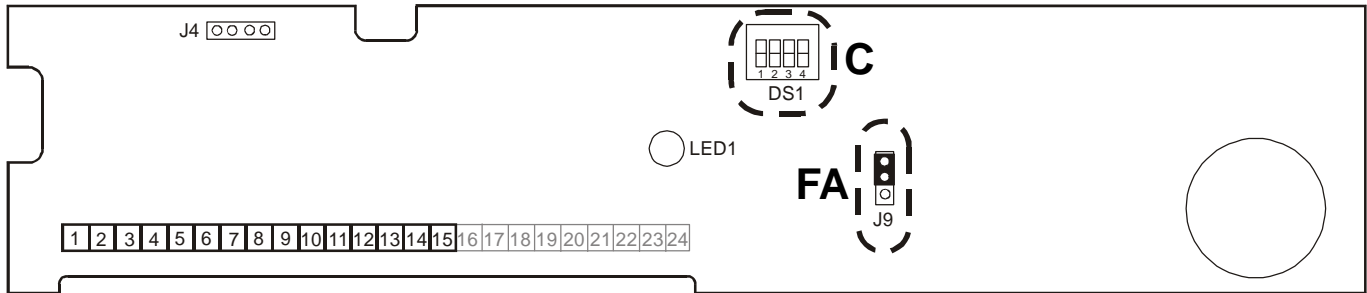


FIG. "C"



#### BASIC SET-UP

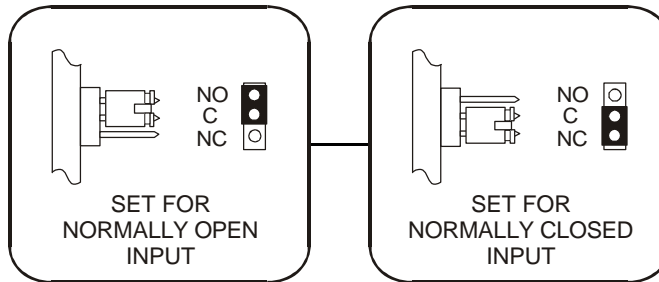
1. Remove the Electronics Cover to expose the circuit board assembly.



#### 2. FA - Fire Alarm Control

Check that the fire alarm control jumper (J9) is properly set to match your fire panel input contacts. If fire panel tie-in is not required leave jumper at factory setting (N.O.).

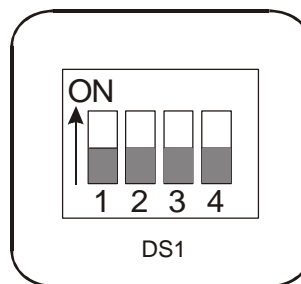
(Factory Setting)



#### 3. C - System Selector Switches

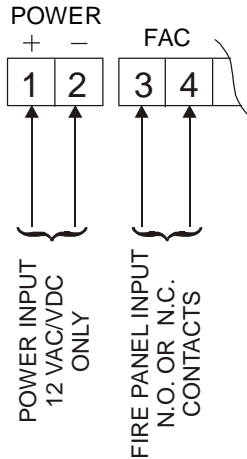
The selector switches (DS1) that control major system functions are factory set to the OFF position for basic lock operation. Switch 1 will be used during sensor adjustment (page 8). Switches 2, 3 and 4 are only used for options described on page 10.

(Factory Setting)



#### BASIC WIRING

Basic hook-up is shown below. For other system features hook-up see "Option Wiring" (page 11).



Terminals 1 & 2 - Power Input. May be 12 Volts, AC or DC only. Current requirement is 0.40 Amps at 12 Volts.

Terminals 3 & 4 - Fire Panel Input. May be normally-open (N.O.) or normally-closed (N.C.) dry contacts from fire panel (check fire alarm control jumper "FA" - page 6).

When the fire panel trips, the 3101B-LP will release, the audible will sound a constant tone and the bi-color LED (LED1) will change to green. When the fire panel is reset, the lock will reset and lock.

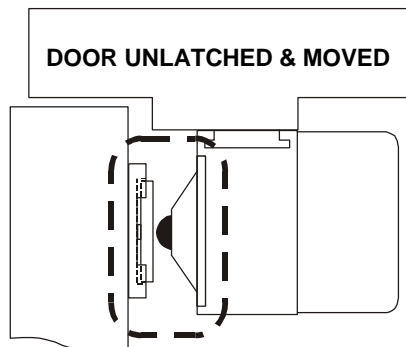
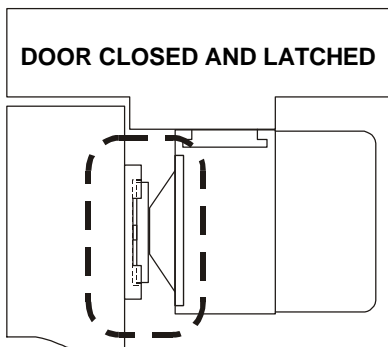
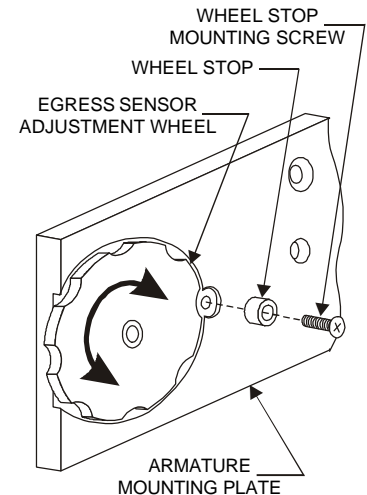
**NOTE: DO NOT APPLY POWER TO TERMINALS 3 & 4 OR DAMAGE WILL OCCUR.**

**PROPER OPERATION OF THE 3101B-LP REQUIRES  
ADJUSTMENT OF THE EGRESS SENSOR  
PROCEED TO EGRESS SENSOR ADJUSTMENT**

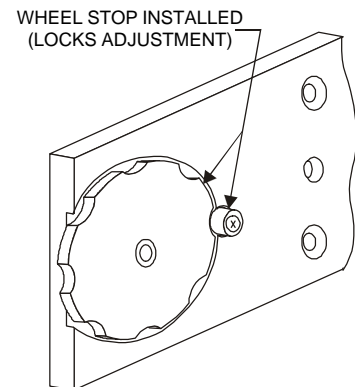
#### EGRESS SENSOR ADJUSTMENT

SEE PAGE 10 FOR LOCATION OF ELECTRONIC PARTS MENTIONED IN THIS SECTION

1. With the door closed and latched apply input power to terminals 1 & 2. Slide selector switch (DS1) #1 to the ON position to activate the Set-Up mode. Rotate the on-board keyswitch counter-clockwise. The 3101B-LP should now be unlocked (LED1-OFF).
2. Open the door. Temporarily remove the adjustment wheel stop from the armature mounting plate and close the door. Set aside for re-installation later.
3. With the door closed observe the bi-color LED (LED1) on the circuit board. It should be lit red. If it is not lit, rotate the adjustment wheel counter-clockwise as necessary to ensure that it will contact and fully depress the ball plunger on the lock. Rattle the door to ensure the LED remains red.
4. With the door closed and LED1 lit red unlatch and slowly open the door. The LED will shut off as soon as the door opens far enough for the ball plunger to activate.



5. With adjustment completed, re-install the adjustment wheel stop to lock-in the adjustment. Close the door, slide selector switch (DS1) #1 back to the OFF position and return the on-board keyswitch to the center position to re-lock the 3101-B.
6. Unlatch and push on the door until delay egress triggers (1-3 seconds). The audible will sound and LED1 will flash red. After 15 seconds the lock will release. Turn the on-board keyswitch clockwise to reset the lock. If delayed egress triggers too soon, or fails to trigger, re-adjust the sensor adjustment wheel for desired sensitivity.







705 Emmett Street • Bristol, CT 06011-2728  
 Phone:(860)582-4761 • Fax:(860)585-0338

**MODEL #3101B-LP  
 DELAY EGRESS SYSTEM**

**INSTALLATION INSTRUCTIONS**

**INDICATOR DESCRIPTIONS**

COLOR	STATUS
RED	LOCKED
GREEN	UNLOCKED
BLINK RED	DELAY EGRESS

**LED1 - BI-COLOR LED INDICATOR**

(Located at center of circuit board.)

Indicates system status.

Also monitors door movement during egress sensor adjustment.

COLOR	STATUS
RED	NORMAL
BLINK RED	TROUBLE

**LED2 - WATCHDOG LED INDICATOR**

(Located upper right corner of circuit board.)

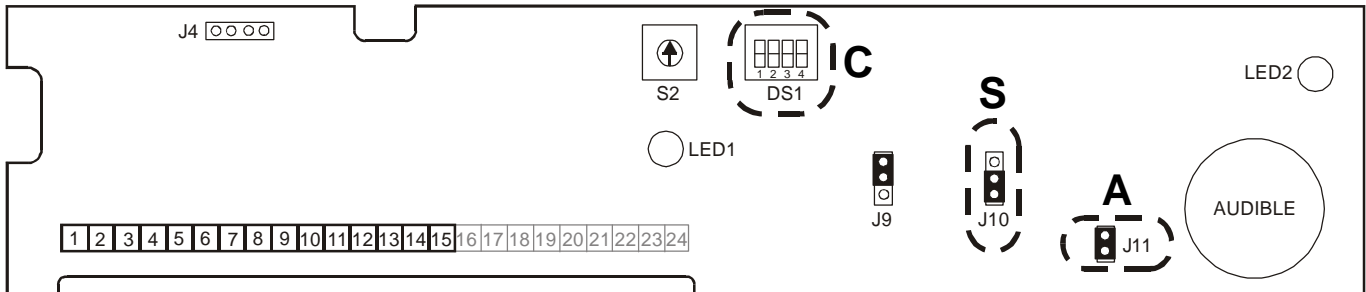
Troubleshooting indicator.

Monitors proper operation of the microprocessor.

**AUDIBLE INDICATION MODES**

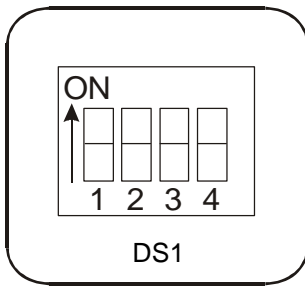
CONDITION	SIGNAL
ACTIVATION OF DELAY EGRESS	One second pulse rate during delay cycle. Steady tone after delay until reset.
FIRE ALARM RELEASE	Steady tone until fire alarm contacts are reset.
OPTIONAL REMOTE AUTHORIZED BYPASS (TERMINALS 7 & 8)	Steady tone during release time (selectable). One second pulse rate if door held open past relock time, (requires reset).
FACTORY SERVICE REQUIRED	Steady tone. Watchdog LED pulses at 1.5 second rate simultaneously.
POOR MAGNETIC BOND (DYNASTAT OPTION)	Rapid pulse rate until problem is corrected. Only functional with Dynastat Force Sensor Option.

#### OPTIONAL SET-UP



#### 1. C- System Selector Switches

Set the System Selector Switches (DS1) to address your specific system requirements.

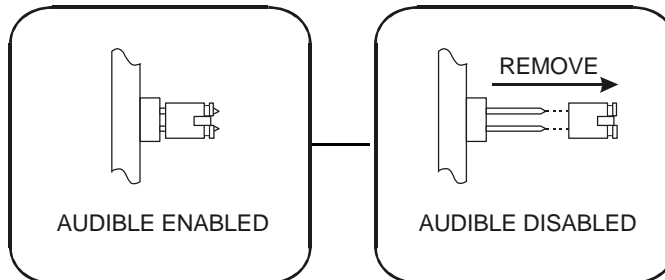


SWITCH	FUNCTION	MODE SETTINGS	
		OFF	ON
1	SYSTEM SET-UP	<b>NORMAL</b>	SET-UP MODE
2	BYPASS AUDIBLE	<b>DISABLED</b>	ENABLED
3	NUISANCE DELAY	<b>1 SEC.</b>	3 SEC.
4	EGRESS DELAY	<b>15 SEC.</b>	30 SEC.

#### 2. A- Audible Selector

The on-board audible is normally enabled for local signaling of lock and alarm status. To completely disable the audible remove jumper (J11).

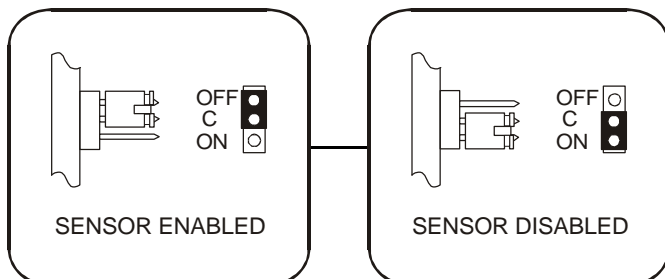
(Factory Setting)



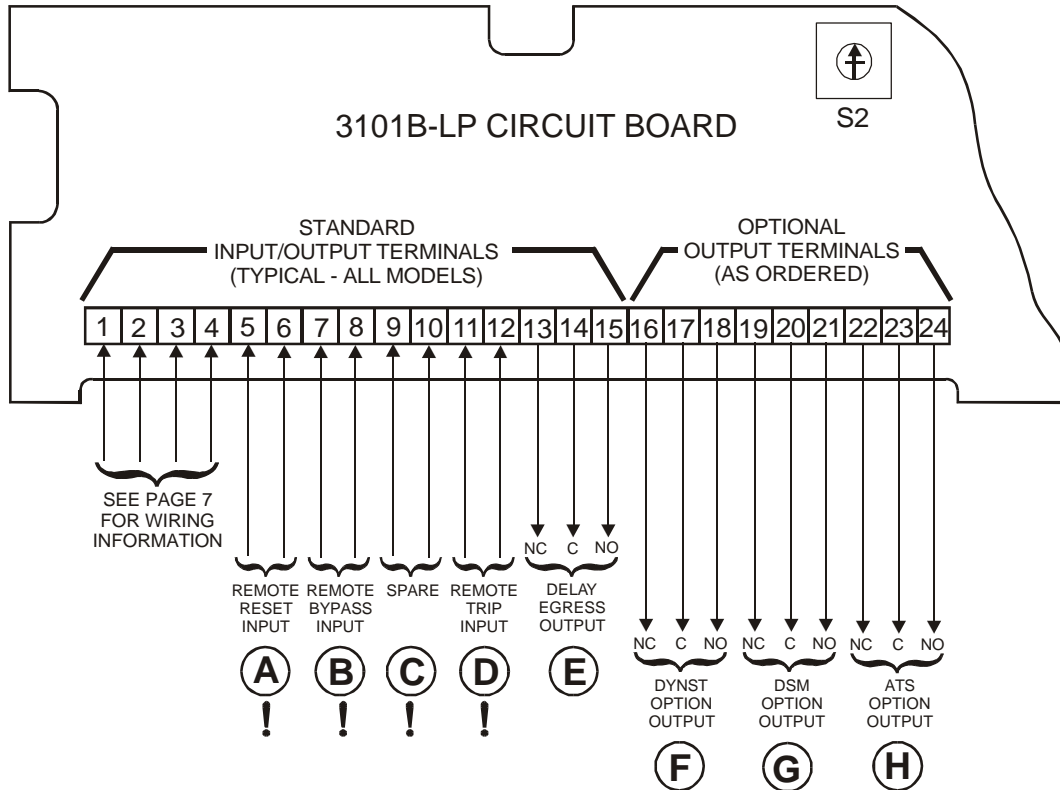
#### 3. S- Sensor Control

The egress sensor may be disabled if you wish to trigger the lock via external remote contacts on input terminals 11 & 12. Position jumper (J10) to disable the egress sensor as shown.

(Factory Setting)



#### OPTION WIRING



**! WARNING: DO NOT APPLY POWER TO INPUTS MARKED “ ! ” OR DAMAGE WILL OCCUR.**

#### INPUT DESCRIPTIONS

**(A)! REMOTE RESET INPUT**

Momentarily closing a normally-open dry contact across terminals 5 & 6 will reset and re-lock the 3101-B following delayed egress and re-closure of door.

**(C)! SPARE**

Do not use.

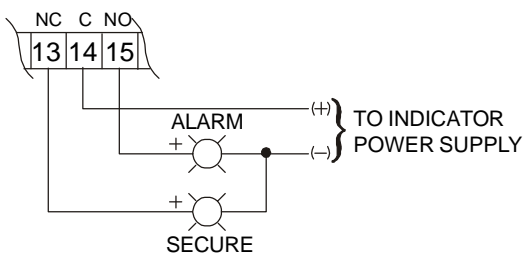
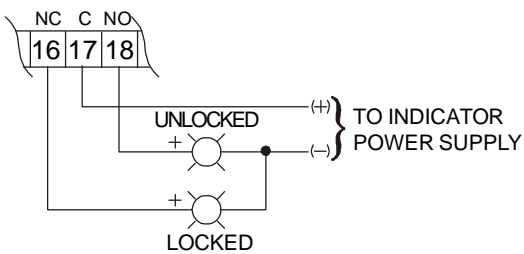
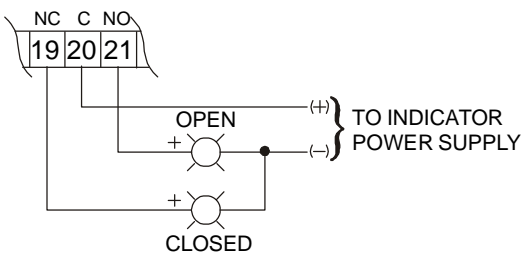
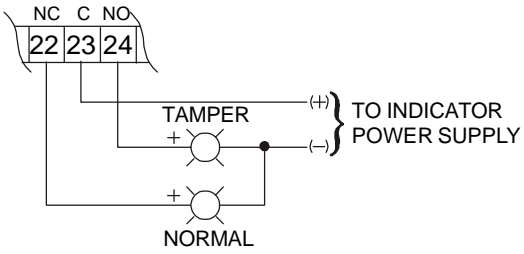
**(B)! REMOTE BYPASS INPUT**

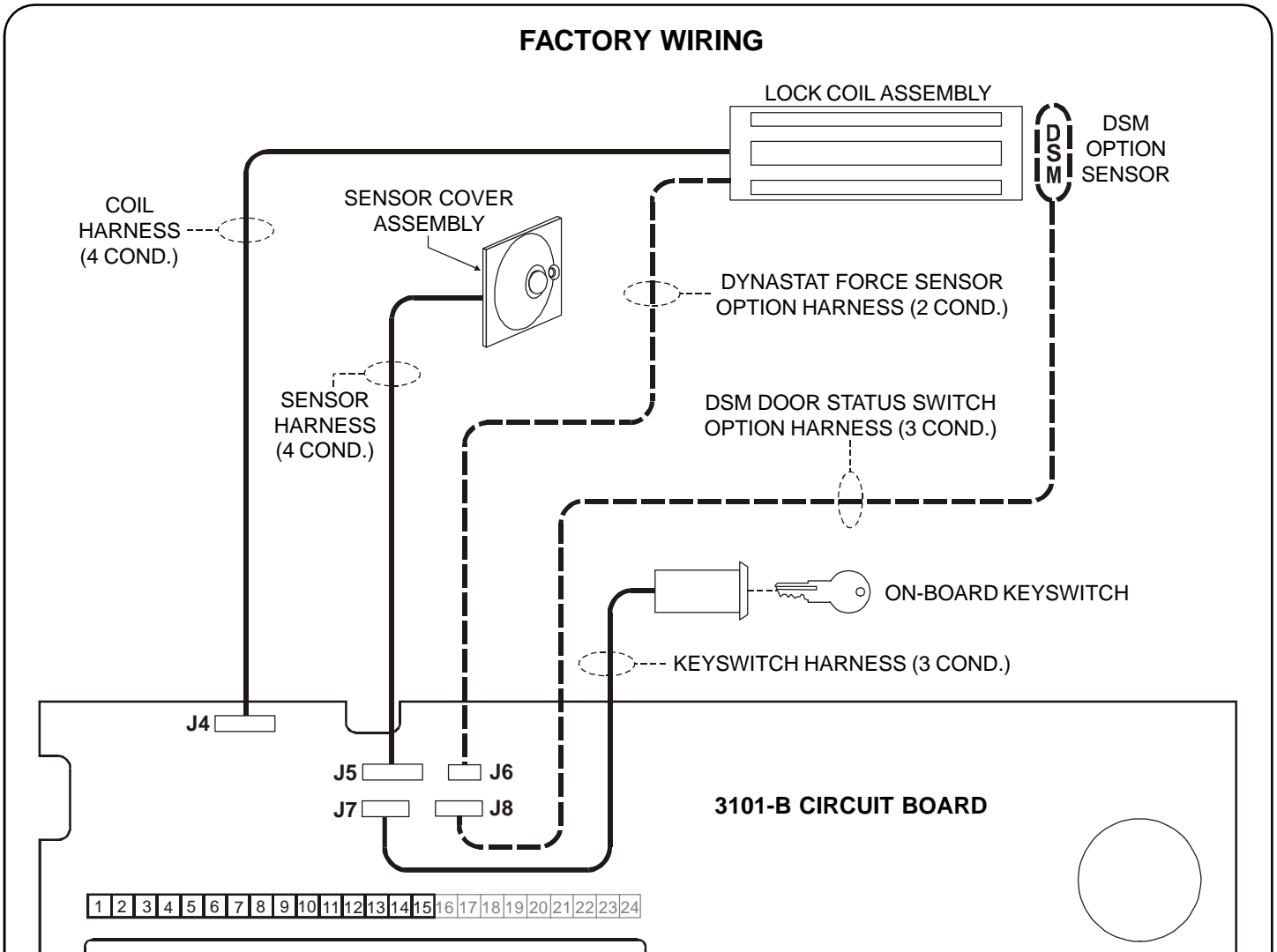
Momentarily closing a normally-open dry contact across terminals 7 & 8 will immediately release the lock without alarm. The door will remain unlocked for a period of time controlled by on-board adjustable timer S2. To increase the delay rotate timer S2 clockwise - range is 1 to 75 seconds.

**(D)! REMOTE TRIP INPUT**

Momentarily closing a normally-open dry contact across terminals 11 & 12 will initiate delayed egress. This input may be used as a redundant or substitute means of triggering delayed egress if sensor initiation is not desired (see page 10, note 3).

#### OPTION WIRING

MONITORING OUTPUT DESCRIPTIONS	TYPICAL WIRING
<p><b>(E) DELAY EGRESS OUTPUT</b>                      Delay egress alarm monitoring.</p> <p>SPDT dry relay contacts rated 1Amp @ 24 Volts</p> <p>Contacts change state upon initiation of delayed egress and remain in that state until door is closed and reset.</p>	 <p>NOTE: INDICATORS ARE NOT INCLUDED</p>
<p><b>(F) DYNST OPTION OUTPUT</b>                      Dynastat bond sensor monitoring.</p> <p>SPDT dry relay contacts rated 1Amp @ 24 Volts</p> <p>Contacts change state to signal lock status as either locked or unlocked.</p>	 <p>NOTE: INDICATORS ARE NOT INCLUDED</p>
<p><b>(G) DSM OPTION OUTPUT</b>                      Door position sensor monitoring.</p> <p>SPDT dry relay contacts rated 0.5Amp @ 24 Volts</p> <p>Contacts change state to signal physical door position as either closed or open.</p>	 <p>NOTE: INDICATORS ARE NOT INCLUDED</p>
<p><b>(H) ATS OPTION OUTPUT</b>                      Anti-Tamper Switch monitoring.</p> <p>SPDT dry relay contacts rated 0.5Amp @ 24 Volts</p> <p>Contacts change state to signal removal of the lock electronics cover.</p>	 <p>NOTE: INDICATORS ARE NOT INCLUDED</p>



**NOTES:**

- Harnesses J6 and J8 are only present if the 3101B-LP is equipped with the DYNST - DynastatForce Sensor and DSM - Door Status Switch Options.
- Observe polarity when re-connecting the J5, J7 and J8 harness connectors. Orient these connectors with respect to harness wire colors as follows:

J5    

WHT	GRN	RED	BLK
-----	-----	-----	-----

J7    

WHT	BLK	BLU
-----	-----	-----

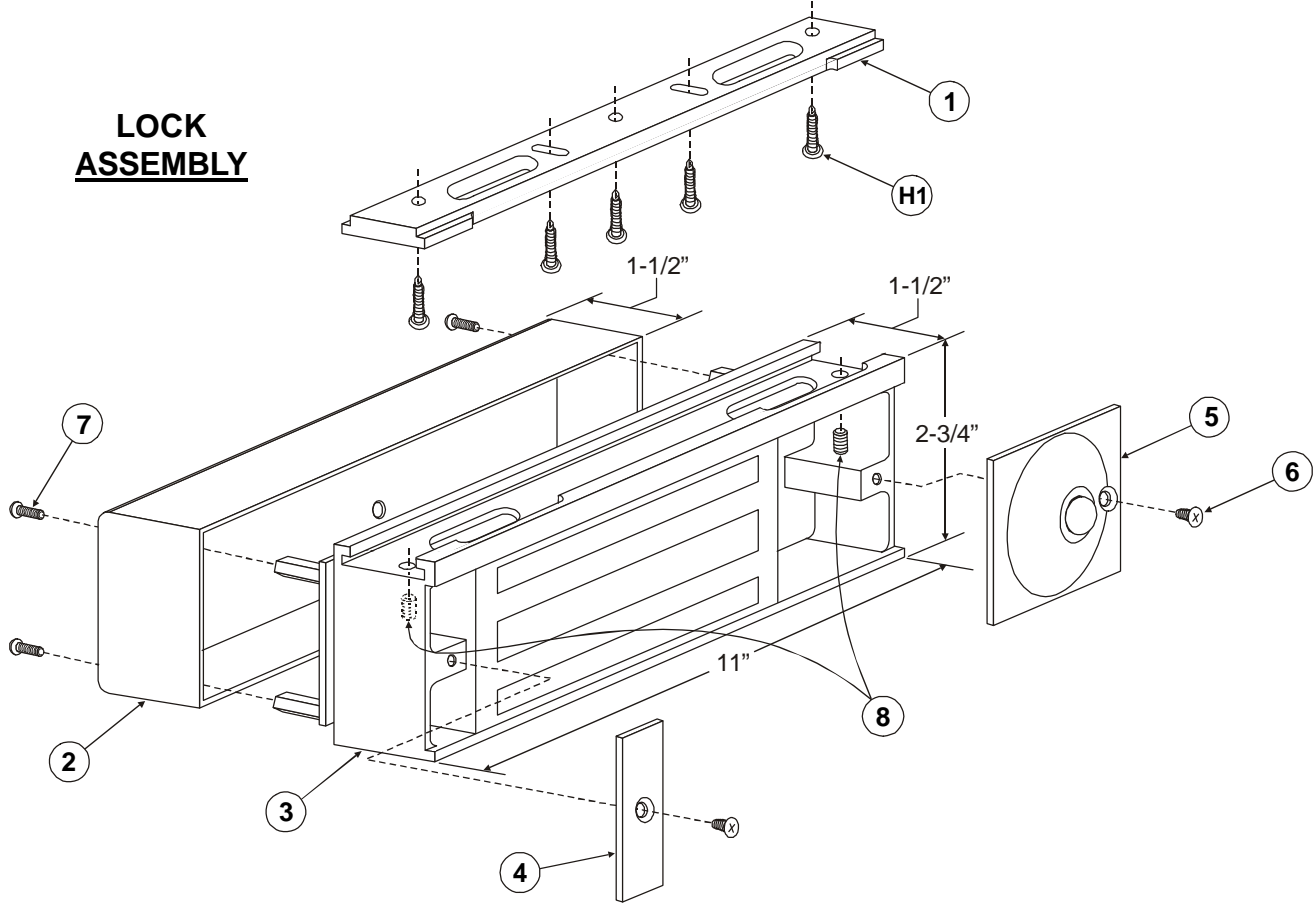
J8    

GRN	WHT	RED
-----	-----	-----

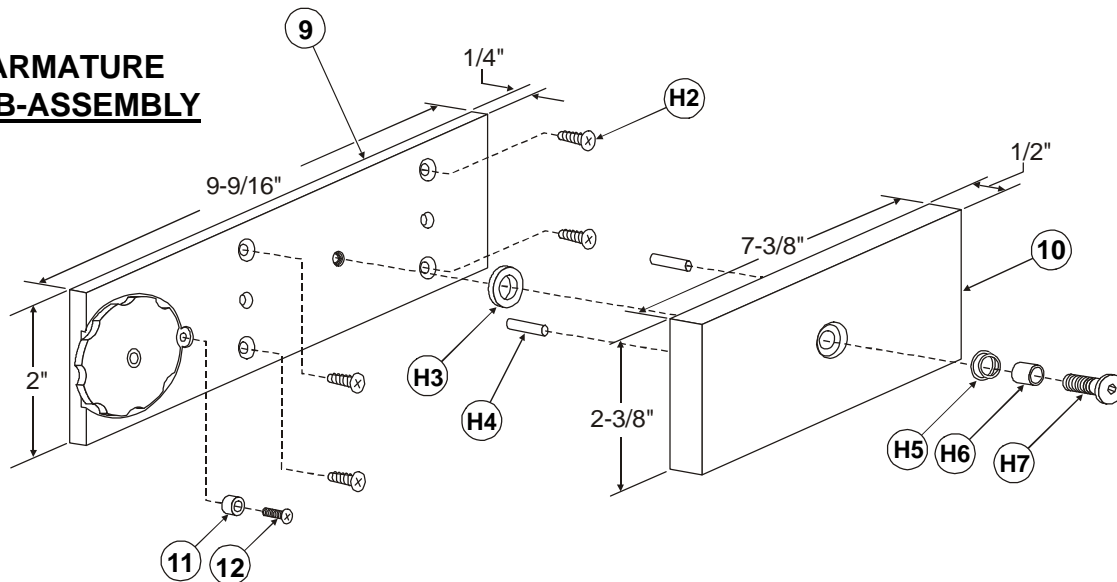
- Harness connectors J4 and J6 are not polarity sensitive.

**EXPLODED PARTS VIEW**

**LOCK ASSEMBLY**



**ARMATURE SUB-ASSEMBLY**





705 Emmett Street • Bristol, CT 06011-2728  
 Phone:(860)582-4761 • Fax:(860)585-0338

**MODEL #3101B-LP  
 DELAY EGRESS SYSTEM**

**INSTALLATION INSTRUCTIONS**

**EXPLODED PARTS VIEW LEGEND**

<b>LOCK ASSEMBLY</b>		
<b>ITEM</b>	<b>DESCRIPTION</b>	<b>PART NO.</b>
1	Fas-Trak Baseplate	300011
2	Electronics Cover	300353
3	Lock Assembly	Consult Factory
4	End Cover	300011
5	Sensor Cover Assembly	301037
6	Access/End Cover Screw	300608
7	Electronics Cover Screw	700058
8	Fas-Trak Set Screw	300604

<b>ARMATURE SUB-ASSEMBLY</b>		
<b>ITEM</b>	<b>DESCRIPTION</b>	<b>PART NO.</b>
9	Armature Mounting Plate Assy.	301038
10	Armature	300373
11	Adjustment Wheel Stop	301003
12	Wheel Stop Mounting Screw	301005

<b>HARDWARE KIT</b>		
<b>ITEM</b>	<b>DESCRIPTION</b>	<b>PART NO.</b>
H1	Baseplate Mounting Screw	Hardware Kit P/N 301028
H2	Armature Mounting Plate Screw	
H3	Flat Steel Washer	
H4	Armature Anti-Spin Pin	
H5	Compression Spring	
H6	Armature Spacer	
H7	Armature Mounting Screw	

**PLEASE DELIVER THIS MANUAL  
AND THE KEYS TO THE END-USER UPON  
COMPLETION OF THE 3101B-LP INSTALLATION**

**FOR PRODUCT SUPPORT AND PARTS  
ORDERING INFORMATION CONTACT:**

DynaLock Corp.  
705 Emmett Street  
Bristol, CT 06010  
Bus: (877) 396-2562 Toll-Free USA  
(860) 582-4761  
Fax: (860) 585-0338

**DYNALOCK ON THE INTERNET:**

E-mail: [info@dynalock.com](mailto:info@dynalock.com)  
Website: [www.dynalock.com](http://www.dynalock.com)



**LISTED**

**GWXT Auxiliary Lock**  
**FWAX Special Locking Arrangements**