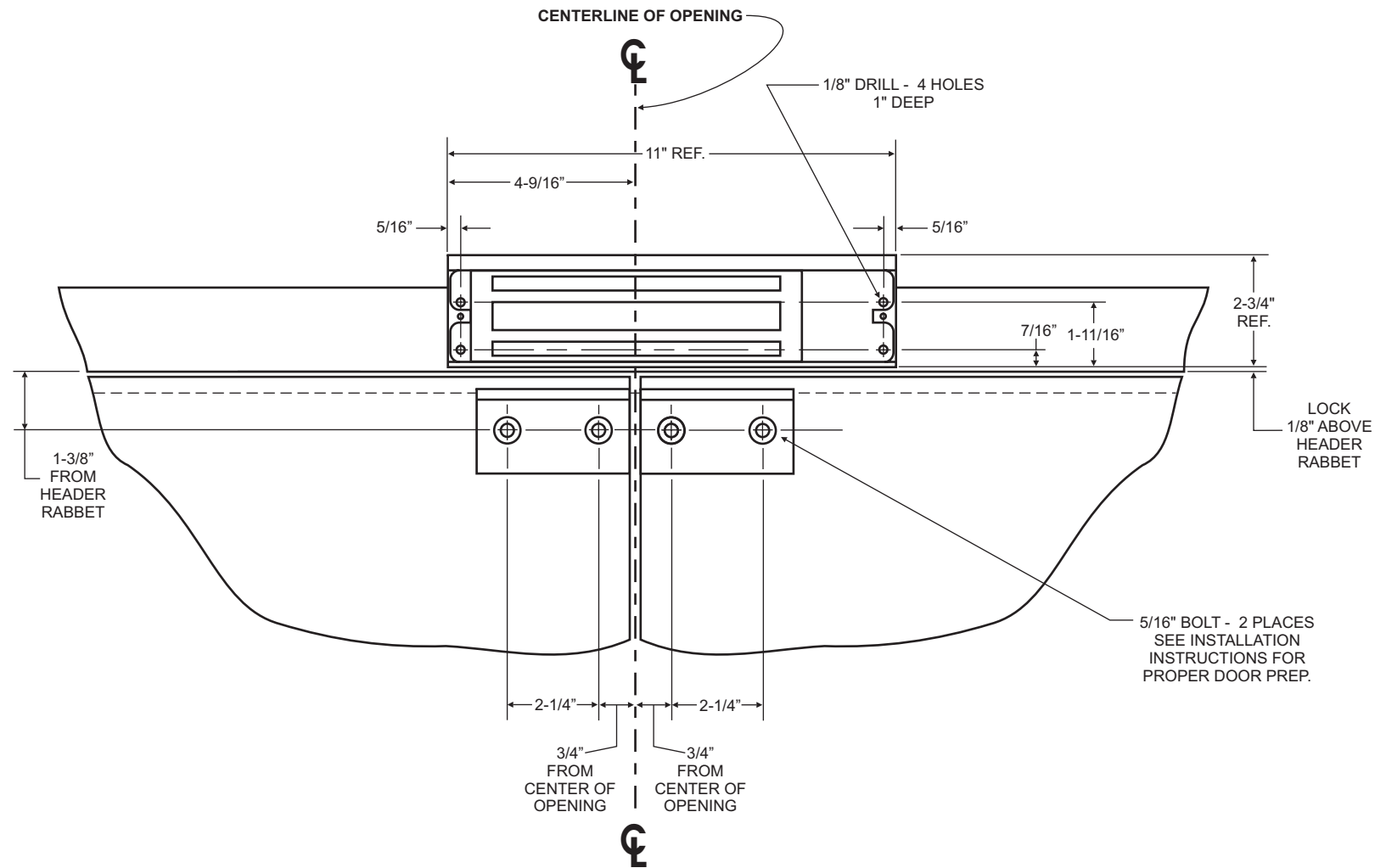
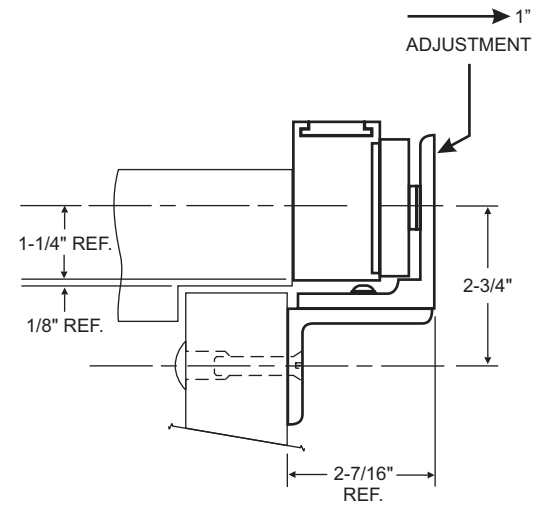


DOOR PULL SIDE

DOOR PULL SIDE



NOTE:
 ABOVE INFORMATION IS FURNISHED TO IDENTIFY LOCATIONS
 FOR REINFORCEMENT, IF REQUIRED.
 SEE INSTALLATION INSTRUCTIONS FOR DOOR AND FRAME
 PREPARATION.



DynaLock Corporation
 705 Emmett Street • Bristol, CT 06010
 Tel: (860) 582-4761 • Fax: (860) 585-0338

*Template
 Drawing*

DRWN: JAS Date: 11/18/02
 CHK'D: JAS Date: 11/18/02
 APPVD: JAS Date: 11/18/02

Title: 3001xTJ31 DOUBLE INSWING
 ELECTROMAGNETIC LOCK
 DOOR AND FRAME PREPARATION

Page
 1 Of 1

Scale:
 —

Size:
 B

Drawing #: 301095

REV:
 —