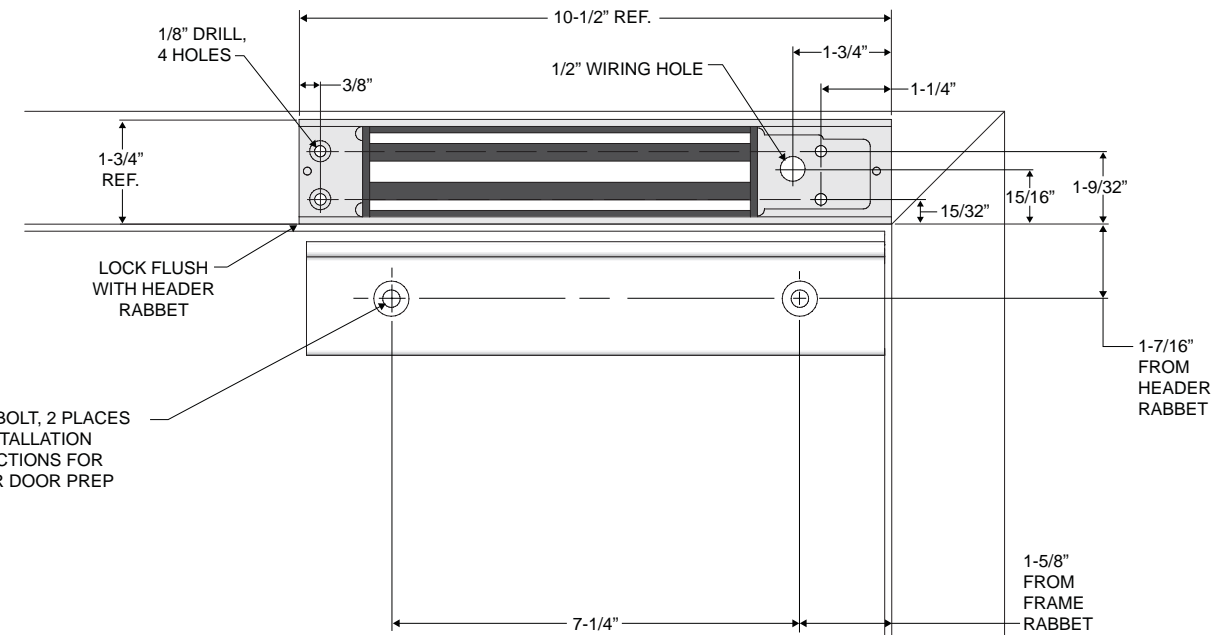
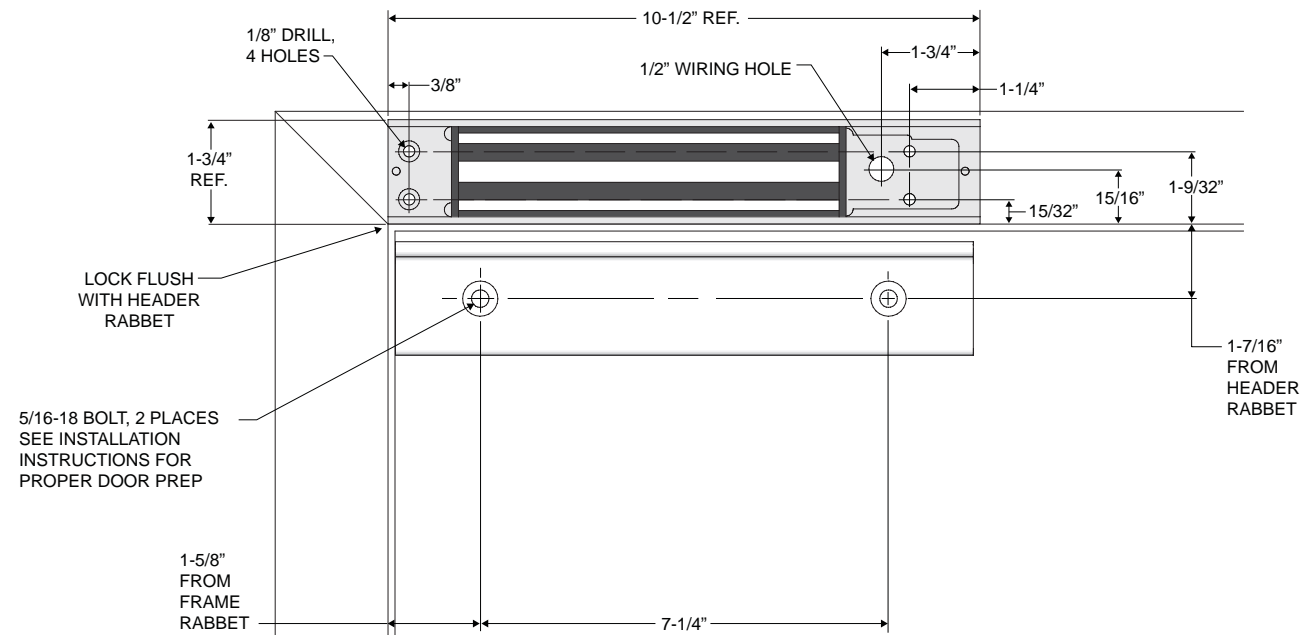
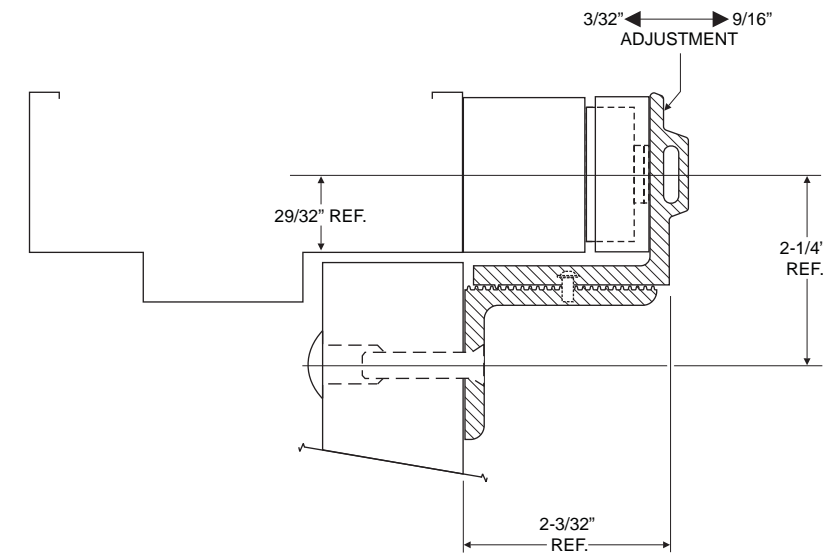
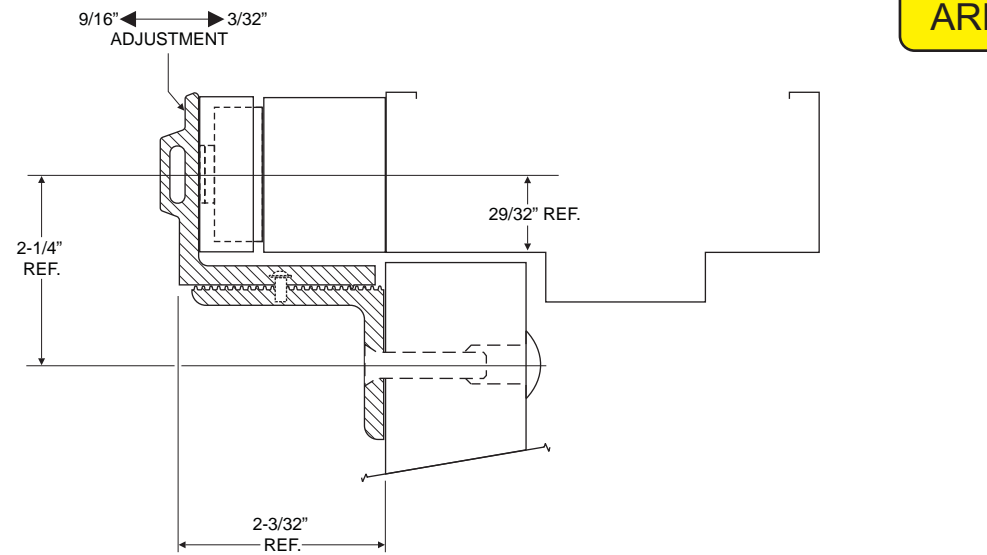


LEFT HAND DOOR PREP

**REVISED TEMPLATE
FOR USE WITH NEW PLASTIC
ARMATURE HOUSINGS ONLY**

RIGHT HAND DOOR PREP



HINGE SIDE OF DOOR →

← HINGE SIDE OF DOOR

NOTE:
ABOVE INFORMATION IS FURNISHED TO IDENTIFY HOLE LOCATIONS. SEE INSTALLATION INSTRUCTIONS FOR DOOR AND FRAME PREPARATION.

DynaLock
DynaLock Corporation
705 Emmett Street • Bristol, CT 06010
Tel: (860) 582-4761 • Fax: (860) 585-0338

*Template
Drawing*

DRWN: MJL	Date: 02/01/07	Title: 2511xTJ SINGLE INSWING MAGLOCK TEMPLATE DRAWING	
CHK'D: MJL	Date: 02/15/07	Page: 1 Of 1	Scale: —
APPV'D:	Date:	Size: B	Drawing #: 301310
			REV: A