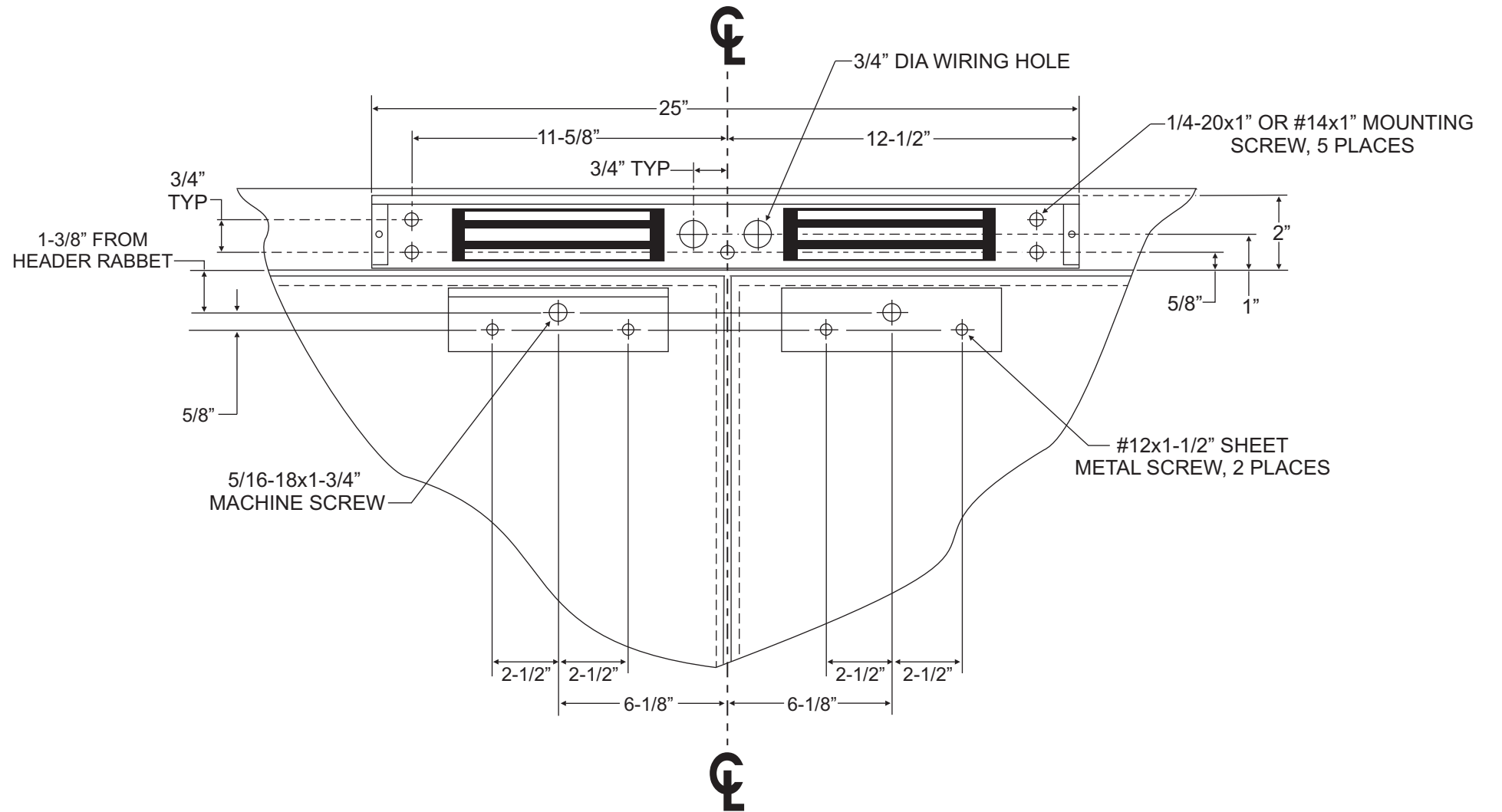
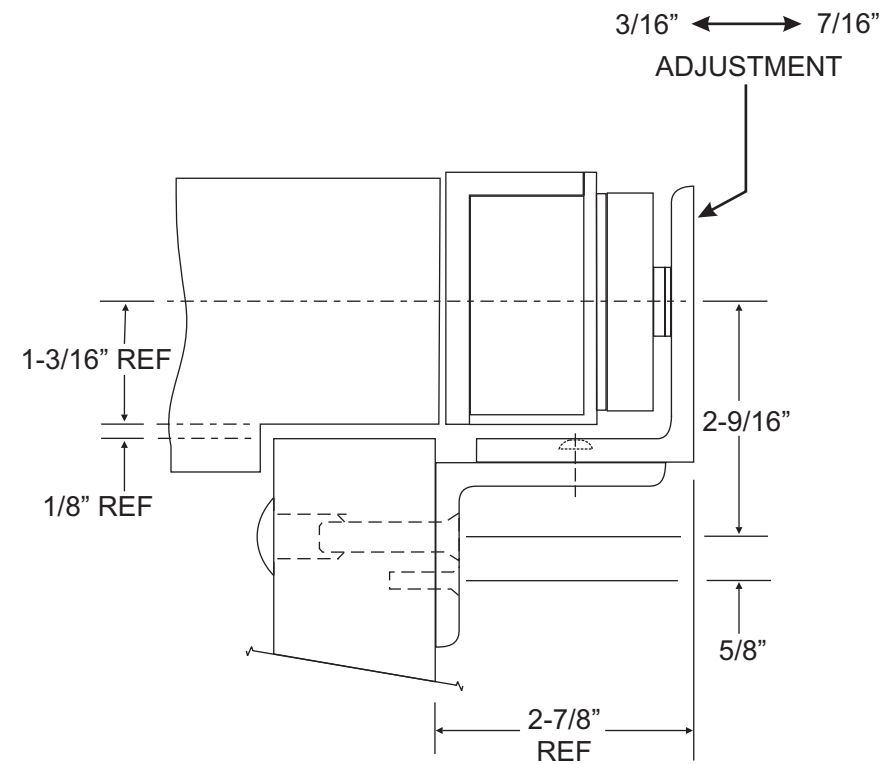


DOOR PULL SIDE

DOOR PULL SIDE



NOTES:

- #1- LOCK HOUSING MOUNTS FLUSH WITH HEADER RABBET.
- #2- ABOVE INFORMATION IS FURNISHED TO IDENTIFY LOCATIONS FOR REINFORCEMENT, IF REQUIRED. SEE INSTALLATION INSTRUCTIONS FOR DOOR AND FRAME PREPARATION.



DynaLock Corporation
705 Emmett Street • Bristol, CT 06010
Tel: (860) 582-4761 • Fax: (860) 585-0338

*Template
Drawing*

DRWN: MJL Date: 6/1/05
CHK'D: Date:
CHK'D: Date:
APPV'D: JAS Date: 7/5/05

Title: 2268-TJ20 DOUBLE INSWING ELECTROMAGNETIC LOCK DOOR AND FRAME PREPARATION

Page 1 Of 1	Scale: —	Size: B	Drawing #: 301199	REV: —
----------------	-------------	------------	----------------------	-----------