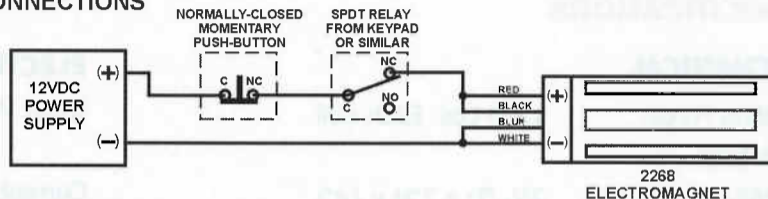


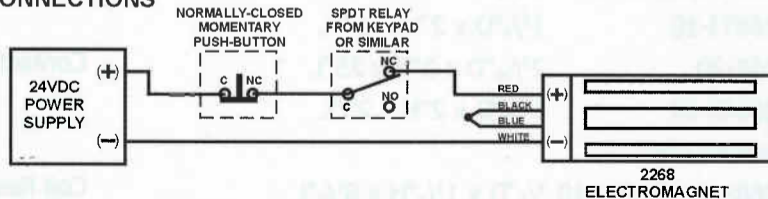
## Basic System Wiring

The figure shown is an example of a simple circuit including a single door locked continuously. DynaLock offers keypad control, exit bars, timers, and much more to suit your needs.

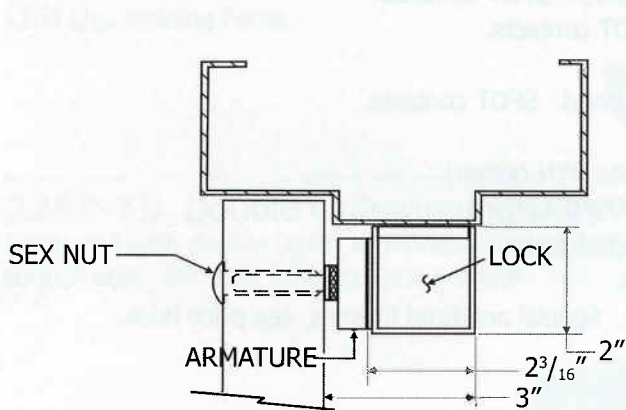
### 12VDC CONNECTIONS



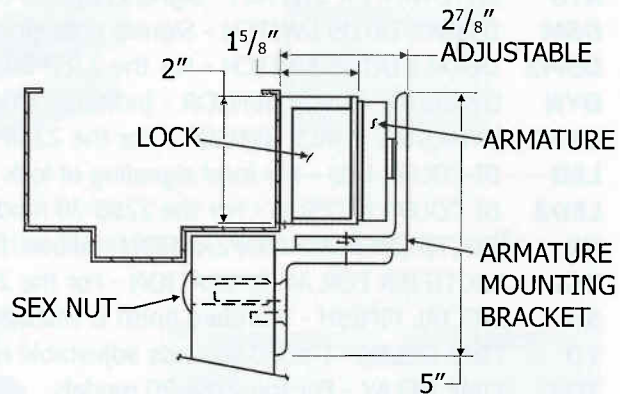
### 24VDC CONNECTIONS



# Mounting



**2268-10 SIDE VIEW**



**2268TJ-10 SIDE VIEW**