

2268 Series

1200 Lb. Holding Force Electromagnetic Lock

- **"CLASSIC" Low Profile**
- **Retrofits Many Existing Locks**
- **Complete Array of Options**
- **Lifetime Warranty**



Description

The 2268 Series is a full size 1200 lb. holding force electromagnet. It is designed for life safety and high security on rated or nonrated doors and frames. With a low 2" profile, the 2268 is perfect for opening heights of 7' or less to facilitate code compliance on designated egress doors.

The 2268 is field selectable for 12VDC or 24VDC. Specify the **RC** option for AC voltage operation. Surge suppression is built-in and 12" long color coded wire leads are provided for easy installation. Optional integrated door and lock status sensors allow remote monitoring without the need to install separate "door contacts".

The 2268 is offered in single, double, and split armature models for both outswinging and inswinging doors. The coil and housing assembly mounts rigidly to the door frame while the armature mounts to the door in a manner that allows it to pivot slightly to compensate for door irregularities. When the door is closed and the lock is energized the armature is magnetically

bonded to the lock face, thus securing the door without utilizing any moving parts.

Standard Features

- **Non-Handed** - includes a convenient area for wiring connections on each end of the lock.
- **Adjustable mounting base** reduces installation time and insures proper alignment.
- **Low power consumption** conserves energy, reduces operation cost, and extends battery backup time.
- **A totally plated coil** and armature provides protection against corrosion.
- **No residual magnetism** - the lock releases without delay when de-energized.
- **Multiple monitoring options** increases the flexibility, security and compatibility of system equipment.
- **Low profile** provides maximum clearance for under-height door openings. The lowest profile of ANY full size electromagnetic lock.
- **Built-in spike suppression** protects other solid state components within the system from damage when the lock is de-energized.

2268 Series Electromagnetic Lock

2268-10 Single Outswinging Door

Single coil. Mounts to the underside of the frame header.
1200 Lbs. Holding Force.



2268-15 Double Outswinging Door

Single coil with double (split) armature. Mounts to the underside of the frame header. Recommended for traffic control only. 600 Lbs. holding force per leaf.



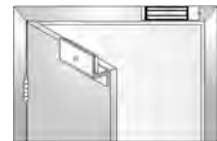
2268-20 Double Outswinging Door

Double coil. Mounts to the underside of the frame header.
1200 Lbs. holding force per leaf.



2268TJ-10 Single Inswinging Door

Single coil. Mounts to the face of the frame header.
1200 Lbs. holding force.



2268TJ-20 Double Inswinging Door

Double coil. Mounts to the face of the frame header.
1200 Lbs. holding force per leaf.



2268 Series Electromagnetic Lock

Options

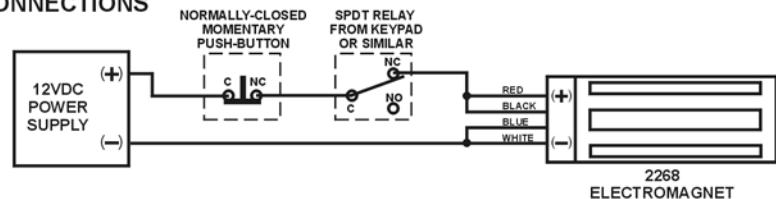
- ATS** ANTI-TAMPER SWITCH - Signals removal of the housing cover. SPDT contacts.
- DSM** DOOR STATUS SWITCH - Signals door closed or ajar. SPDT contacts.
- DSM2** DOOR STATUS SWITCH - For the 2268-20 models.
- DYN** DYNASTAT FORCE SENSOR - Indicates efficient magnetic bond. SPDT contacts.
- DYN2** DYNASTAT FORCE SENSOR - For the 2268-20 models.
- LED** BI-COLOR LED - For local signaling of lock status. (Requires DYN option)
- LED2** BI-COLOR LED'S(2) - For the 2268-20 models. (Requires DYN2 option)
- RC** RECTIFIER FOR AC OPERATION - Allows 12/24 VAC voltage input.
- RC2** RECTIFIER FOR AC OPERATION - For the 2268-20 models.
- SF** SPECIAL FINISH - Standard finish is US28 Satin Aluminum. Special anodized finishes, see price book.
- TD** TIME DELAY - 1 to 60 seconds adjustable relock delay.
- TD2** TIME DELAY - For the 2268-20 models.

Note: DSM, DYN and LED options not available on 2268-15 split armature models.

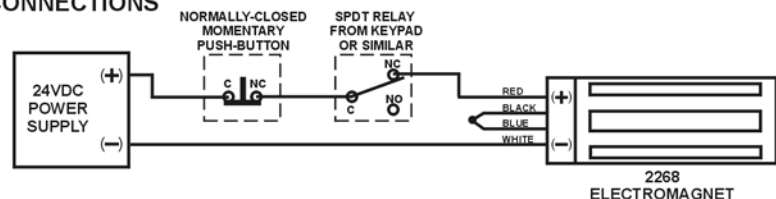
Basic System Wiring

The figure shown is an example of a simple circuit including a single door locked continuously. DynaLock offers keypad control, exit bars, timers, and much more to suit your needs.

12VDC CONNECTIONS



24VDC CONNECTIONS

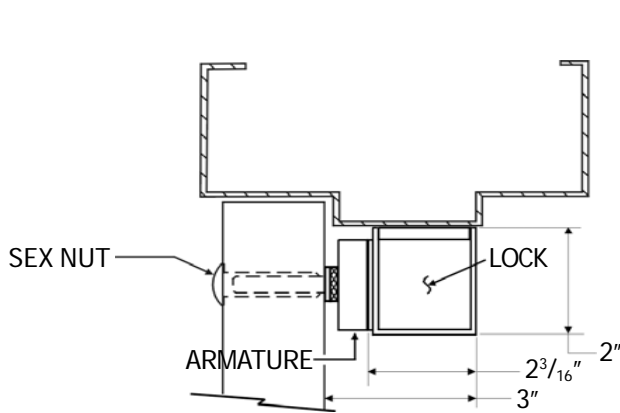


Accessories

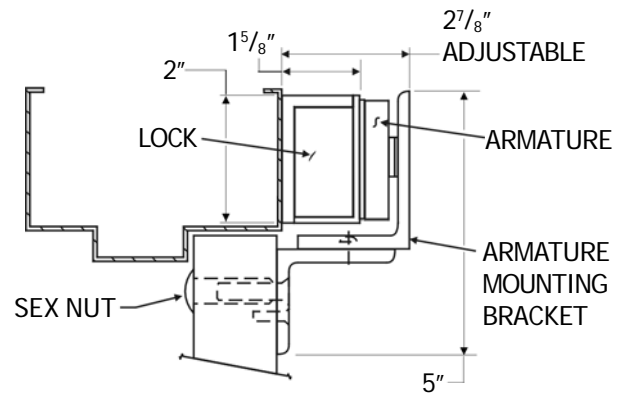
- **4000 Series** Installation Accessories
 - Filler Plates: Extend the door stop
 - Angle Brackets: Extend the header
- **5000 Series** Power Supplies
 - Solid state power supplies provide proper voltage, time delay and battery backup if required.
- **6000 Series** Exit Controls
 - Push-buttons in a variety of switching configurations and exit sensor bars.
- **7000 Series** Keyswitches and Keypads
 - Keyswitches accept most mortise cylinders for controlled access.
 - Rugged digital entry keypads.
- **8000 Series** Consoles
 - Desk top, slope front and rack mount fabricated to customer specifications.

2268 Series Electromagnetic Lock

Mounting



2268-10 SIDE VIEW



2268TJ-10 SIDE VIEW

Specifications

MECHANICAL

Holding Force:	1200 Lbs. Each Coil
Lock Size:	
2268-10, 2268-15	2 ³ / ₁₆ " D x 2" H x 14" L
2268TJ-10	1 ⁵ / ₈ " D x 2" H x 14" L
2268-20	2 ³ / ₁₆ " D x 2" H x 25" L
2268TJ-20	1 ⁵ / ₈ " D x 2" H x 25" L
Armature Size:	
2268-10, 2268TJ-10	5 ⁵ / ₈ " D x 1 ³ / ₄ " H x 8 ⁵ / ₈ " L
2268-15	5 ⁵ / ₈ " D x 1 ³ / ₄ " H x 4 ¹ / ₄ " L
2268-20, 2268TJ-20	5 ⁵ / ₈ " D x 1 ³ / ₄ " H x 8 ⁵ / ₈ " L
Lock Weight:	2268-10 7.5Lbs. / 2268-20 15Lbs. 2268-TJ10 9.5Lbs. / 2268-TJ20 20Lbs.
Finish:	US28 Satin Aluminum with clear anodize Other Finishes Available

ELECTRICAL

Input Voltage:	12 or 24 VDC (Field Selectable) 12 or 24 VAC with RC option
Current Draw:	0.68A @ 12V Single 0.35A @ 24V Single
Contact Ratings:	DSM - 0.5A @ 24VAC/DC DYN - 0.25A @ 24VAC/DC ATS - 0.5A @ 24VAC/DC
Coil Resistance:	34.1 Ohms (+/- 10%) Red/Blue, Blk/Wht

DYNALOCK CORPORATION

705 EMMETT STREET / PO BOX 2728
BRISTOL, CT 06011-2728
PHONE: 877-DYNALOCK / FAX: 860-585-0338
E-MAIL: INFO@DYNALOCK.COM
WEBSITE: WWW.DYNALOCK.COM

Featuring


DynaLife[®]
Lifetime Warranty