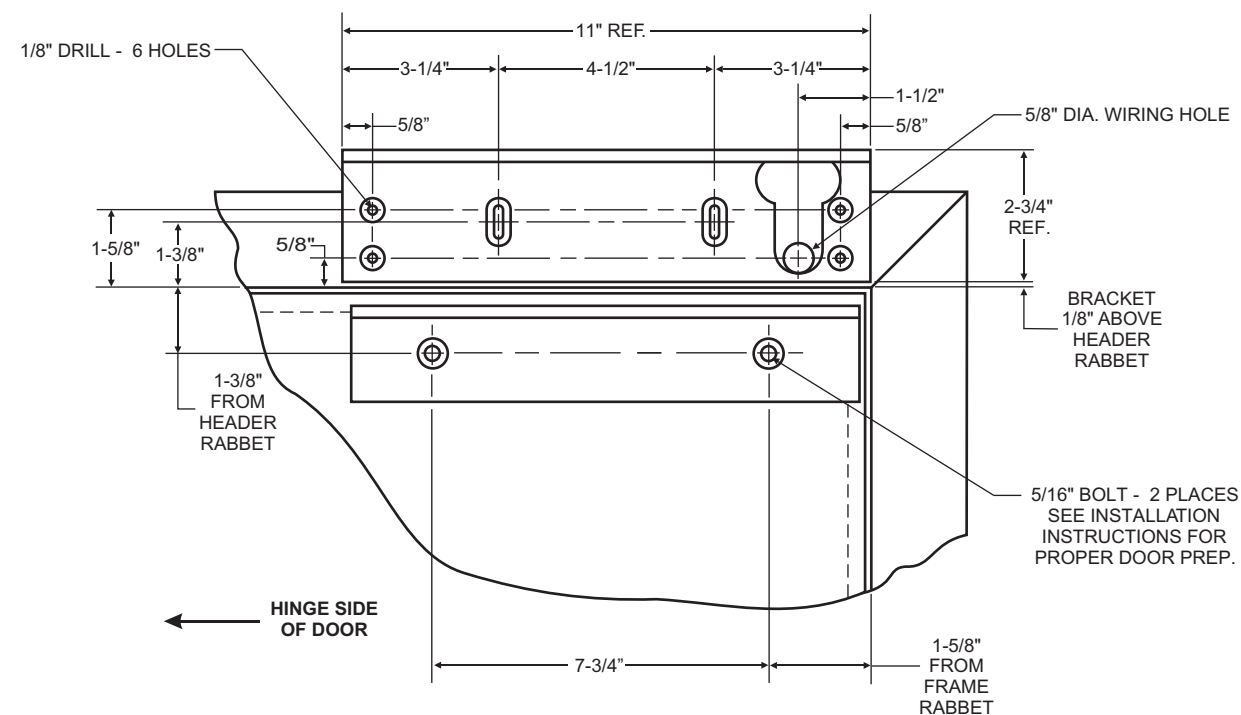
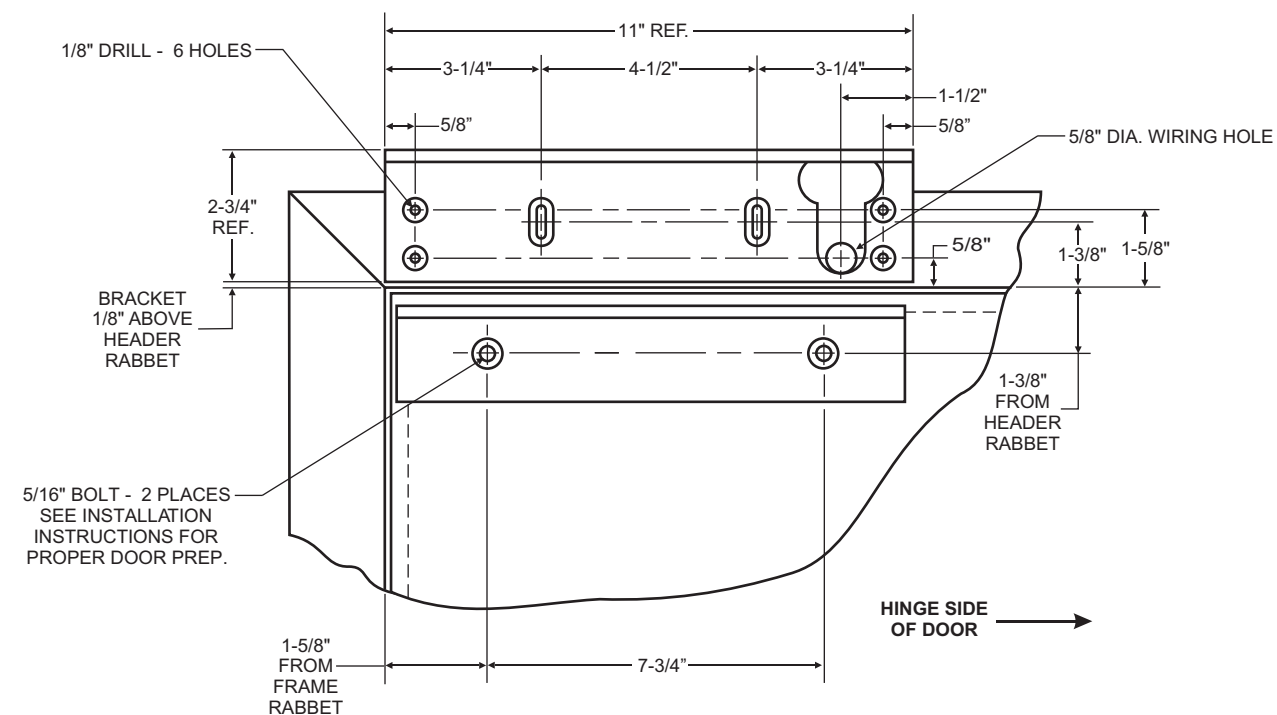
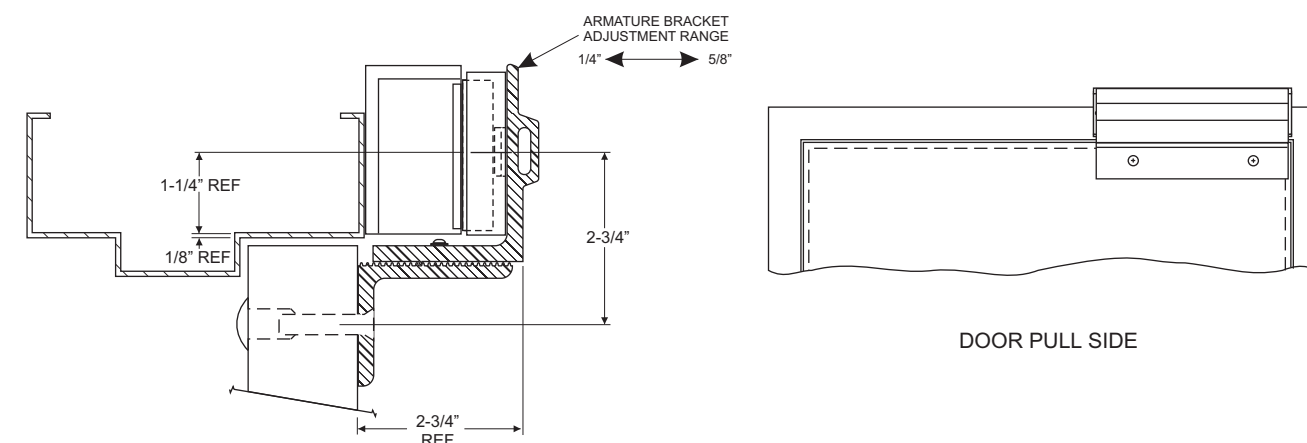
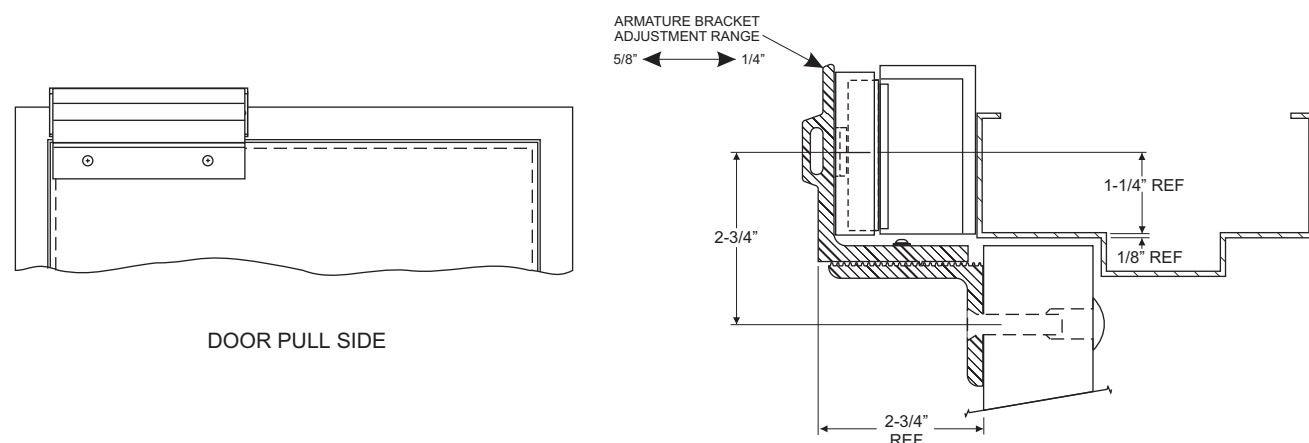


**REVISED TEMPLATE**  
FOR USE WITH NEW PLASTIC  
ARMATURE HOUSINGS ONLY

LEFT HAND DOOR PREP

RIGHT HAND DOOR PREP



**NOTE:**  
ABOVE INFORMATION IS FURNISHED TO IDENTIFY  
HOLE LOCATIONS. SEE INSTALLATION INSTRUCTIONS  
FOR DOOR AND FRAME PREPARATION.



DynaLock Corporation  
705 Emmett Street • Bristol, CT 06010  
Tel: (860) 582-4761 • Fax: (860) 585-0338

Template  
Drawing

DRWN: MJL Date: 02/13/07  
CHK'D: JAS Date: 02/27/07  
CHK'D: Date:  
APPV'D: Date:

Title: 2011xTJ20 SINGLE INSWING  
ELECTROMAGNETIC LOCK  
TEMPLATE DRAWING

Page 1 Of 1

Scale: —

Size: B Drawing #: 301089

REV: A