

**PLEASE DELIVER THIS MANUAL  
 TO THE END-USER UPON COMPLETION  
 OF THE INSTALLATION**

**FOR PRODUCT SUPPORT AND PARTS  
 ORDERING INFORMATION CONTACT:**

DynaLock Corp.  
 705 Emmett Street  
 Bristol, CT 06010  
 Bus: (877) 396-2562 Toll-Free  
 (860) 582-4761  
 Fax: (860) 585-0338

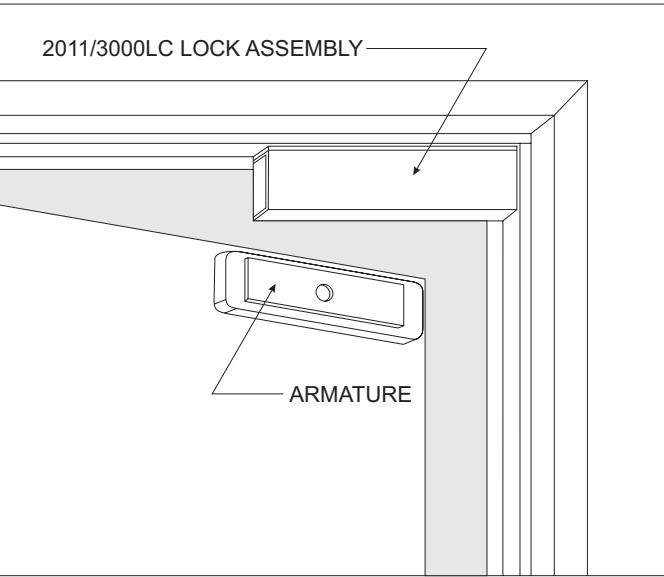
**DYNALOCK ON THE INTERNET:**

E-mail: info@dynalock.com  
 Website: www.dynalock.com



NYC Mea #23-92-E  
 GWXT Auxiliary Lock  
 CSFM

**INSTALLATION DESCRIPTION**



The Series 2011 is a 1200 pound holding force (**the 3000LC is a 1500 pound holding force**) electromagnetic lock designed to secure a single outswing door. The lock requires both installation procedures as described herein and in the separate wiring instructions included.

*The illustration to the left shows a typical installation on a single outswing door.*

**HANDLING**

Care must be taken that the lock face and armature face are kept free of dirt, rust, paint, or any other obstruction which may interfere with the lock and armature making good contact. These faces may be cleaned with a non-abrasive pad and wiped with an oil dampened cloth.

**MECHANICAL INSTALLATION**

Familiarize yourself with the door and frame conditions. The lock must mount rigidly to the face of the door frame header. The door mounted armature is supplied with an adjustable mounting bracket and hardware that allows it to pivot slightly to compensate for reasonable misalignment.

**NOTE: If this lock is supplied with the DSM option be certain that disc magnets are present inside the armature housing.**

**ELECTRICAL INSTALLATION**

After mechanical installation is complete the lock needs to be wired to a 12 or 24 VDC/VAC power source. Once low voltage power is supplied the unit is fully operational. All other wiring is for selected options. Refer to the separate wiring instructions included for further information.

**INSTALLATION INSTRUCTIONS**

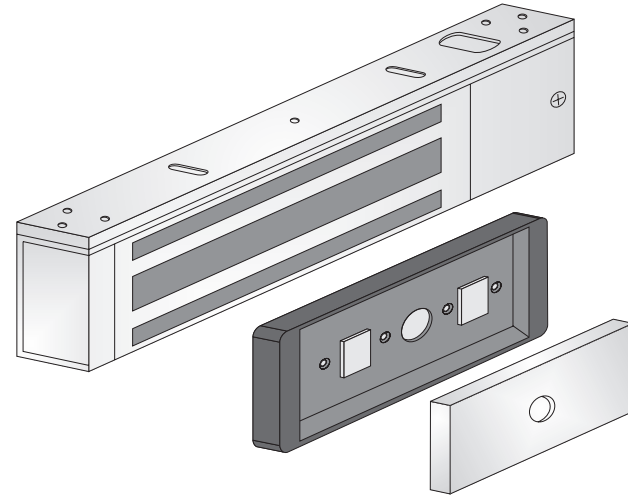
**TABLE OF CONTENTS**

General Information.....	1
Bill Of Materials.....	2
Using The Template.....	3
Mounting The Armature.....	4
Mounting The Lock.....	5
Exploded Parts View.....	6
Exploded Parts Legend.....	7
Support.....	8

**REQUIRED TOOLS**

- (1) Electric Drill
- (1) #2 Phillips Screw Driver
- (1) Soft Faced Mallet
- (1) Hammer
- (1) Center Punch
- (1) 3/16" Hex Wrench
- (1) Pencil & Tape
- Drill Bits: 1/8", 17/64", 11/32", 1/2", 9/16", 21/32"

**MODEL #2011/3000LC  
BILL OF MATERIALS**



- (1) 2011/3000LC LOCK ASSEMBLY
- (2) ARMATURE
- (2) ARMATURE HOUSING
- (2) HARDWARE KIT
- (1) 1/8" BALL HEAD HEX WRENCH
- (1) MOUNTING TEMPLATE
- (1) INSTALLATION MANUAL
- (1) WIRING MANUAL

**HARDWARE KIT CONTENTS  
(P/N 301316)**

QTY.	ITEM	DESCRIPTION
7	Baseplate Mounting Screws	#10x1" phillips pan head sheet metal screw
7	Baseplate Mounting Screws	#10-24x1/2" phillips pan head machine screw
1	Armature Mounting Screw	5/16-18x2" hex flat head machine screw, turned
4	Armature Housing Screws	#8x1" phillips flat head sheet metal screw
4	Armature Housing Screws	8-32x3/8" phillips flat head machine screw
1	Armature Spacer	3/8"Dx0.235"L spacer
1	Steel Washer	1/4" flat zinc washer
1	Door Spacer	5/8"Dx1-11/16"L spacer
1	Sex Nut	5/16-18 sex nut

**NOTE:** For further parts clarification refer to the Exploded Parts View on page 6 or consult factory.

**INSTALLATION INSTRUCTIONS**

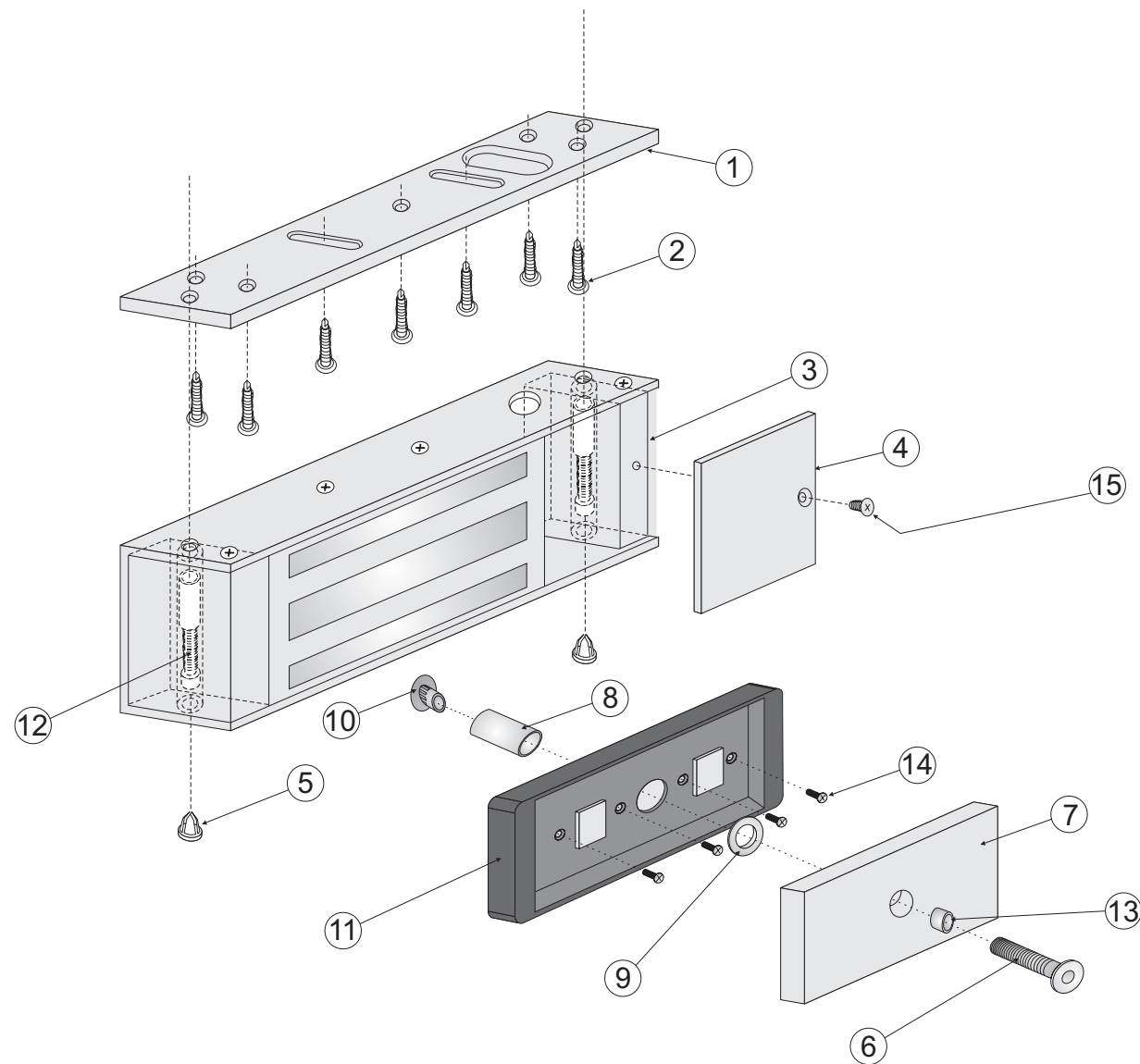
**PARTS LEGEND**

ITEM	DESCRIPTION	PART #	ITEM	DESCRIPTION	PART #
1	Baseplate	300110	8	Door Spacer	*****
2	#10 x 1" PPH SMS	*****	9	Washer Flat Zinc	*****
2	10-24 x 1/2" PPH M	*****	10	Sex Nut	*****
3	Housing Assembly	300107	11	Armature Housing	301334
4	Access Cover	300009	12	Lock Mounting Bolt	*****
5	Plug Button	*****	13	Armature Spacer	*****
6	5/16-18x2" FHS Turned	*****	14	#8x1" FHS SMS	*****
7	Armature	300373	15	8-32x3/8" FHS MS U/C	*****

\*\*\*\*\* Part of Hardware Kit (301316)

Refer to Page 6 for parts locations.

**EXPLODED PARTS VIEW**

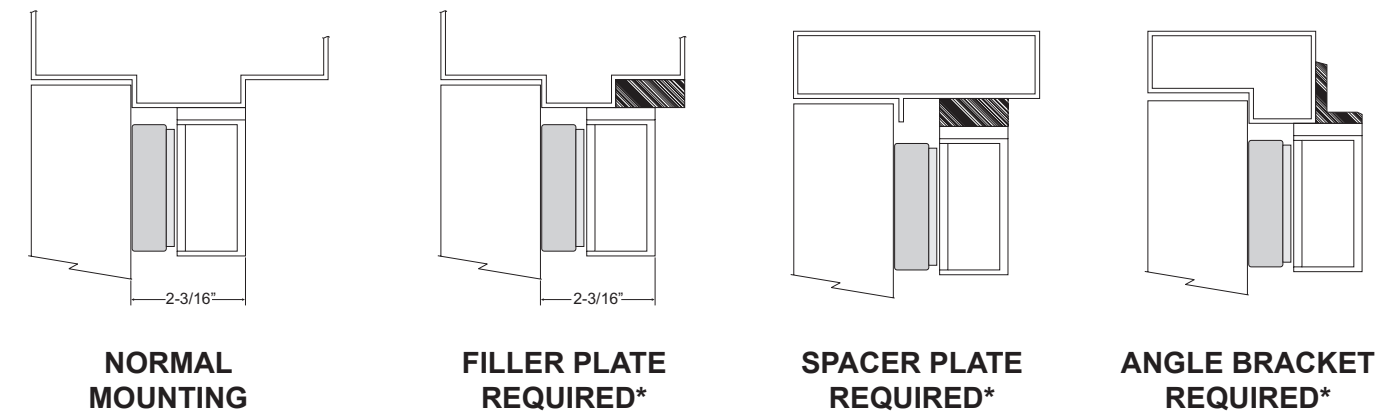


**ARMATURE  
ASSEMBLY  
(TYPICAL)**

**LEGEND ON NEXT PAGE**

**MOUNTING CONSIDERATIONS**

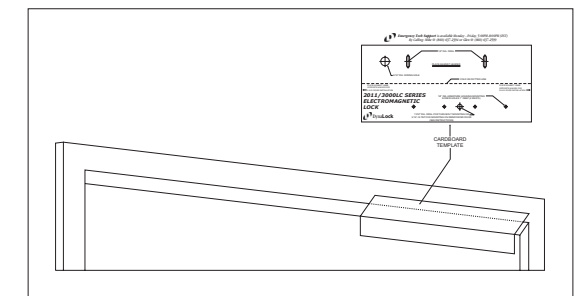
Inspect the door frame and determine if an angle bracket or filler plate will be required for installation. The lock will require a 2" wide header stop for a suitable mounting surface.



**\*See Price Book or Call DynaLock Corp.**

**USING THE TEMPLATE**

1. Fold the template on the dotted line to form a 90 degree angle. Scoring the template with a straight edge and a screwdriver will make it fold easier.
2. With the door closed and in the latched position, from the push side, place the template against the header and door on the frame, and tape in place.
3. Transfer all hole locations to both the door and header with a center punch, then remove the template from the door.
4. Referring to the template drill two 1/8" diameter lock mounting holes (or tap for 10-24) and one 9/16" diameter wiring hole in the top of the frame, at all transferred locations. Remaining mounting holes will be drilled after the lock is first mounted and adjusted (page 6).
5. Drill the remaining transferred holes in the face of the door to accept the armature following the instructions on page 4 for your specific door type.

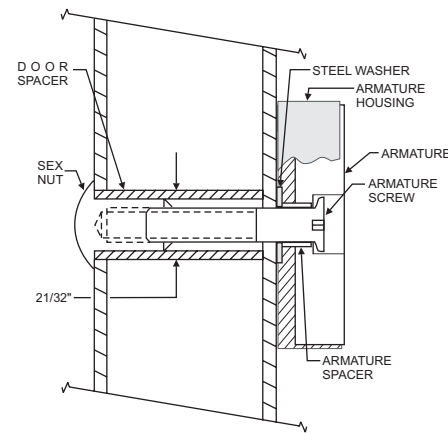


MOUNTING THE ARMATURE

From the three illustrations below select the one that resembles your door type and follow the instructions for drilling the Armature mounting screw hole. (See Template)

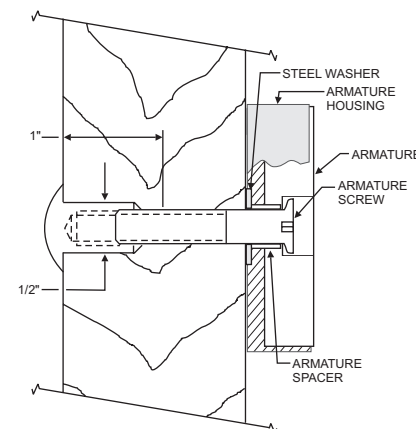
Drill four (4) 1/8" dia. holes for #8 x 1" sheet metal screws or drill and tap for #8-32 x 3/8" machine screws (See Template).

GLASS AND ALUMINUM  
OR HOLLOW METAL DOOR



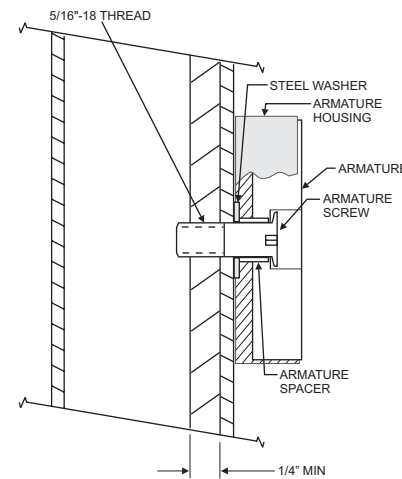
Drill an 11/32" diameter hole through the door. From the sex nut side only enlarge the hole to 21/32" diameter.

SOLID CORE DOOR



Drill an 11/32" diameter hole through the door. From the sex nut side drill 1/2" diameter hole to 1" depth.

REINFORCED DOOR



Drill a 17/64" diameter hole and tap for 5/16-18 thread

Mount the Armature Housing to the door using four (4) #8 x 1" sheet metal screws or #8-32 x 3/8" machine screws.

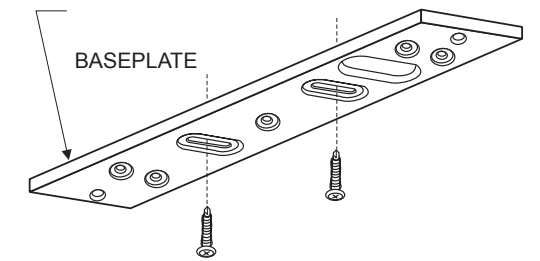
Place the Armature inside the Armature Housing and secure using the proper hardware, according to the above illustrations. Firmly tighten the Armature mounting screw with a 3/16" hex wrench.

**Failure to properly secure the Armature to the door could result in serious injury or possible security breach.**

MOUNTING THE LOCK

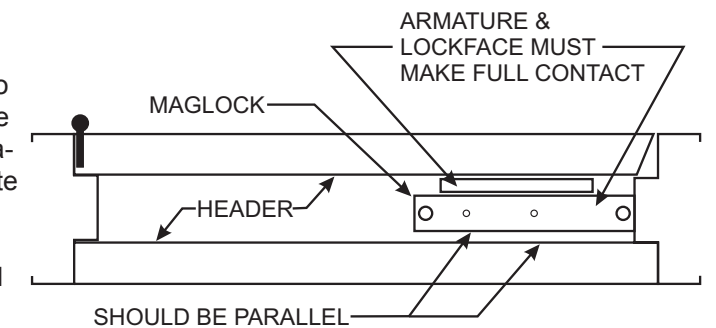
1) Mounting the baseplate to the header:

Separate the baseplate from the lock housing with the Hex wrench. Place the baseplate against the header with the counter sunk slots visible, and the large slot over the wire hole. Using an electric drill with a Phillips bit attach the baseplate to the header at both slotted locations with the screws provided. Tighten the screws just snug enough to allow for final adjustments.



2) Aligning the lock and armature:

Close and latch the door. Temporarily mount the lock to the baseplate and verify the lock face and the armature are making full contact for the entire length of the armature. If any adjustment required gently tap the baseplate with a soft mallet until full contact is achieved. Mark the two baseplate corner locations lightly with a pencil for reference. Remove the lock from the baseplate and tighten both adjustment screws. Drive the remaining 5 screws into the header using the baseplate as a physical template. Screw heads must not project above the baseplate.



3) Attaching the lock to the baseplate:

Using the Hex wrench, permanently fasten the lock to the baseplate with the two 1/4" - 20 x 1-1/4" machine screws removed in step 1. Install the plug caps over the mounting screws with a small mallet.

