

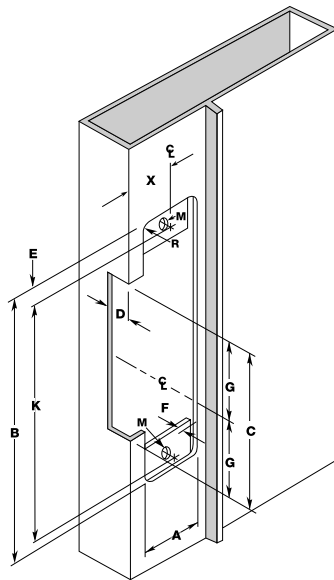
1700 SERIES ELECTRIC STRIKES

Installation Instructions

- Determine the vertical centerline of the door lock face and the horizontal centerline of the latch.
IMPORTANT: When determining the horizontal centerline observe the following:
FOR MORTISE LOCKS: Align the angled ramps of the lip bracket with the deadlock trigger of the mortise latch.
FOR CYLINDRICAL LOCKS: Align the center of the latch with the center of the strike opening.
- Transfer both the horizontal and vertical centerlines to the door frame.**
- Prepare the door frame for cutting as per the appropriate drawing on this page.
- If required, install the optional “no weld” mounting brackets as per the instructions included with the mounting brackets in the hardware pack.
- Attach the strike insert (coil unit or “motor”) to the lip bracket with the screws provided.
- Connect the incoming wiring from the power supply to the terminal screws on the strike insert. DynaLock door strikes are not polarity sensitive although be certain to observe proper polarity if a suppression diode is required for access control applications.
- Install the door strike in the door frame using the screws provided.

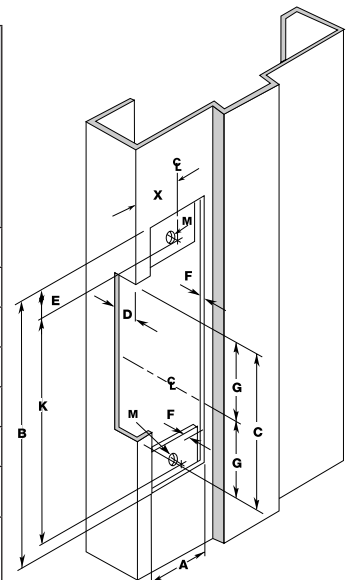
1704

MEASUREMENT	FRACTIONAL INCHES	DECIMAL INCHES	METRIC mm
A	1-1/4"	1.250	31.75
B	4-7/8"	4.875	123.83
C	3-3/8"	3.375	85.73
D	29/32"	.906	23.02
E	3/8"	.375	9.53
F	1/8"	.125	3.18
G	1-11/16"	1.688	42.86
X	Vertical Centre Line of Door Lock and Mounting Face Plate		
R	5/32"	.156	3.97
K	4-1/8"	4.125	104.78
M	12-24	N/A	N/A
Dpth	1-1/2"	1.5	38



1714

MEASUREMENT	FRACTIONAL INCHES	DECIMAL INCHES	METRIC mm
A	1-1/4"	1.250	31.75
B	4-7/8"	4.875	123.83
C	3-3/8"	3.375	85.73
D	29/32"	.906	23.02
E	3/8"	.375	9.53
F	1/8"	.125	3.18
G	1-11/16"	1.688	42.86
X	Vertical Centre Line of Door Lock and Mounting Face Plate		
K	4-1/8"	4.125	104.78
M	12-24	N/A	N/A
Dpth	1-1/2"	1.5	38



NOTE: Specifications subject to change without notice.

* **Dimension F** is measured from face of mounting tab to face of frame and equates to the thickness of the frame material.

** **Dimension X** on the drawing is determined by the vertical centerline of the door. If the latch incorporates a deadlocking pin additional steps will be necessary to ensure proper operation of the deadlocking pin. Measure the thickness of the deadlocking pin and add this thickness to Dimension X to relocate the vertical centerline an appropriate distance on the frame.