

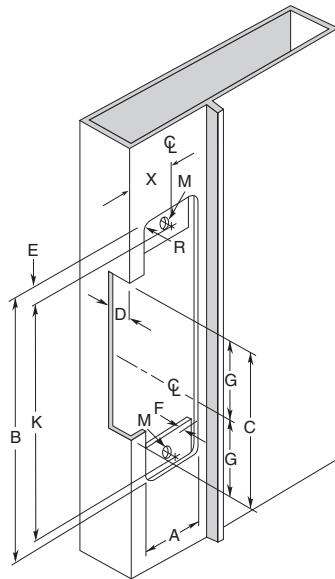
1600 SERIES ELECTRIC STRIKES INSTALLATION

Instructions

- Determine the vertical centerline of the door lock face and the horizontal centerline of the latch.
IMPORTANT: When determining the horizontal centerline observe the following:
FOR MORTISE LOCKS: Align the angled ramps of the lip bracket with the deadlock trigger of the mortise latch.
FOR CYLINDRICAL LOCKS: Align the center of the latch with the center of the strike opening.**
- Transfer both the horizontal and vertical centerlines to the doorframe.**
- Prepare the doorframe for cutting as shown in the appropriate drawing.
- If required, install the optional mounting brackets. (Follow instructions included with the mounting brackets in the hardware pack.)
- Attach the strike faceplate to the lip bracket with the self-tapping screws provided. (It may be desirable to leave these screws slightly loose to facilitate insertion into the doorframe.)
- Connect the incoming wiring from the power supply (see wiring instructions).
- Install the door strike in the doorframe using the screws provided.

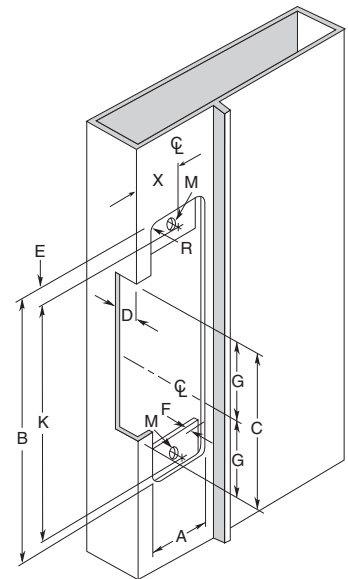
1604S Aluminum & Wood Frames, 1-3/16" D

MEASUREMENT	FRACTIONAL INCHES	DECIMAL INCHES	METRIC mm
A	1-1/4	1.250	31.75
B	4-7/8	4.875	123.83
C	3-3/8	3.375	85.73
D	1-3/16	1.188	30.18
E	3/8	.375	9.53
F	1/8*	.120*	3.05*
G	1-11/16	1.687	42.85
X	Vertical Centerline of Door**		
R	5/32	0.156	3.99
K	4-1/8	4.125	104.78
M	12-24†	—	—



1604L Aluminum & Wood Frames, 1-1/16" D

MEASUREMENT	FRACTIONAL INCHES	DECIMAL INCHES	METRIC mm
A	1-1/4	1.250	31.75
B	4-7/8	4.875	123.83
C	3-3/8	3.375	85.73
D	1-3/32	1.094	27.69
E	3/8	.375	9.53
F	1/8*	.120*	3.05*
G	1-11/16	1.687	42.85
X	Vertical Centerline of Door**		
R	5/32	0.156	3.99
K	4-1/8	4.125	104.78
M	12-24†	—	—



NOTE: Specifications subject to change without notice.

* **Dimension F** is measured from face of mounting tab to face of frame and equates to the thickness of the faceplate.

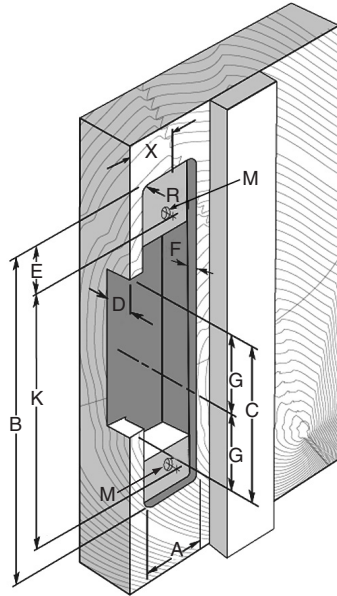
** **Dimension X** on the drawing is determined by the vertical centerline of the door. If the latch incorporates a deadlocking pin additional steps will be necessary to ensure proper operation of the deadlocking pin. Measure the thickness of the deadlocking pin and add this thickness to Dimension X to relocate the vertical centerline an appropriate distance on the frame.

† For wood frame door installations, substitute #12 wood screws for dimension M.

1600 Series Installation Instructions (Continued)

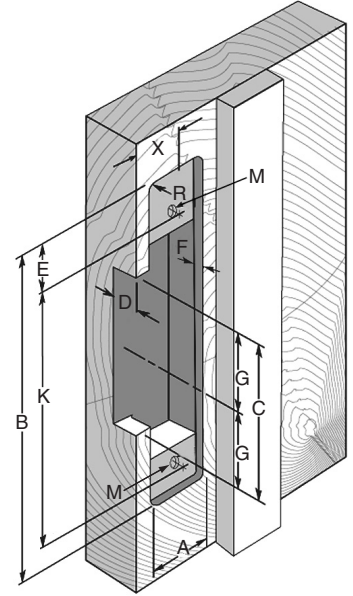
1605S Aluminum & Wood Frames, 1-3/16" D

MEASUREMENT	FRACTIONAL INCHES	DECIMAL INCHES	METRIC mm
A	1-1/8	1.125	28.58
B	5-7/8	5.875	149.23
C	3-3/8	3.375	85.73
D	1-3/16	1.188	30.18
E	1/4	0.250	6.35
F	1/8*	.120*	3.05*
G	1-11/16	1.687	42.85
X	Vertical Centerline of Door**		
R	5/32	.156	3.99
K	5-3/8	5.375	136.5
M	12-24 [†]	—	—



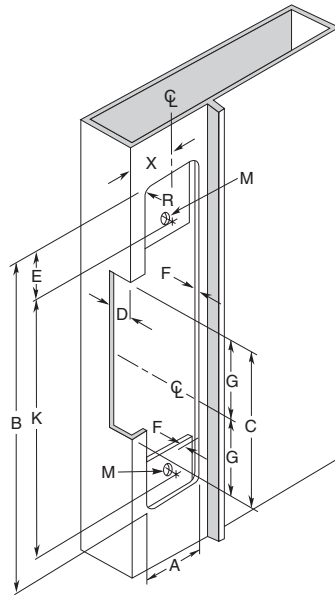
1605L Aluminum & Wood Frames, 1-1/16" D

MEASUREMENT	FRACTIONAL INCHES	DECIMAL INCHES	METRIC mm
A	1-1/8	1.125	28.58
B	5-7/8	5.875	149.23
C	3-3/8	3.375	85.73
D	1-3/32	1.094	27.69
E	1/4	0.250	6.35
F	1/8*	.120*	3.05*
G	1-11/16	1.687	42.85
X	Vertical Centerline of Door**		
R	5/32	.156	3.99
K	5-3/8	5.375	136.53
M	12-24 [†]	—	—



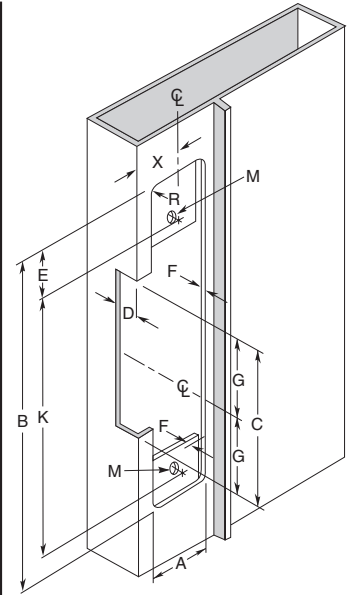
1607S Aluminum & Wood Frames, 1-3/16" D

MEASUREMENT	FRACTIONAL INCHES	DECIMAL INCHES	METRIC mm
A	1-1/4	1.250	31.75
B	6-7/8	6.875	174.63
C	3-3/8	3.375	85.73
D	1-3/16	1.188	30.18
E	1-3/8	1.375	34.93
F	1/8*	.120*	3.05*
G	1-11/16	1.687	42.85
X	Vertical Centerline of Door**		
R	5/32	.156	3.99
K	4-1/8	4.125	104.78
M	12-24 [†]	—	—



1607L Aluminum & Wood Frames, 1-1/16" D

MEASUREMENT	FRACTIONAL INCHES	DECIMAL INCHES	METRIC mm
A	1-1/4	1.250	31.75
B	6-7/8	6.875	174.63
C	3-3/8	3.375	85.73
D	1-3/32	1.094	27.69
E	1-3/8	1.375	34.93
F	1/8*	.120*	3.05*
G	1-11/16	1.687	42.85
X	Vertical Centerline of Door**		
R	5/32	.156	3.99
K	4-1/8	4.125	104.78
M	12-24 [†]	—	—



NOTE: Specifications subject to change without notice.

* **Dimension F** is measured from face of mounting tab to face of frame and equates to the thickness of the frame material.

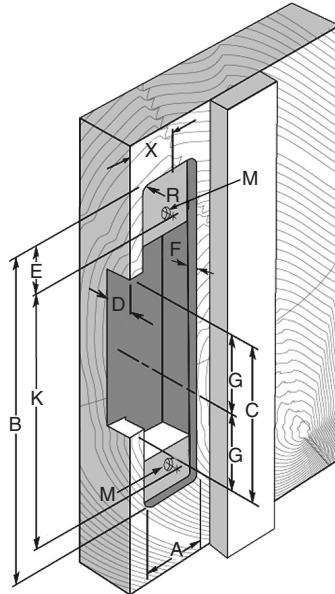
** **Dimension X** on the drawing is determined by the vertical centerline of the door. If the latch incorporates a deadlocking pin additional steps will be necessary to ensure proper operation of the deadlocking pin. Measure the thickness of the deadlocking pin and add this thickness to Dimension X to relocate the vertical centerline an appropriate distance on the frame.

[†] For wood frame door installations, substitute #12 wood screws for dimension M.

1600 Series Installation Instructions (Continued)

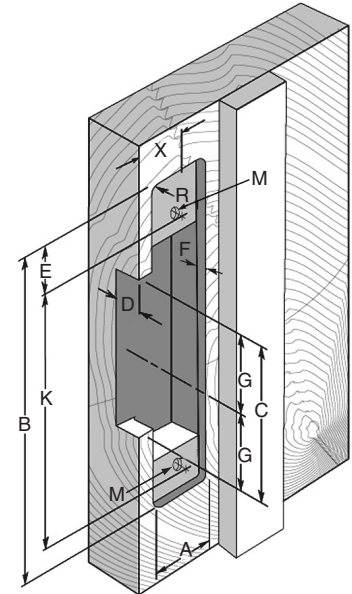
1608S Aluminum & Wood Frames, 1-3/16" D

MEASUREMENT	FRACTIONAL INCHES	DECIMAL INCHES	METRIC mm
A	1-7/16	1.438	36.51
B	7-15/16	7.938	201.61
C	3-3/8	3.375	85.73
D	1-3/16	1.188	30.18
E	1/4	0.250	6.35
F	1/8*	.125*	3.17*
G	1-11/16	1.687	42.85
X	Vertical Centerline of Door**		
R	5/32	.156	3.99
K	7-7/16	7.438	188.91
M	12-24†	—	—



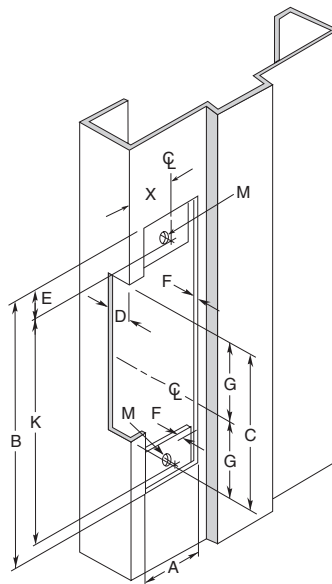
1608L Aluminum & Wood Frames, 1-1/16" D

MEASUREMENT	FRACTIONAL INCHES	DECIMAL INCHES	METRIC mm
A	1-7/16	1.438	36.51
B	7-15/16	7.938	201.61
C	3-3/8	3.375	85.73
D	1-3/32	1.094	27.69
E	1/4	0.250	6.35
F	1/8*	.125*	3.17*
G	1-11/16	1.687	42.85
X	Vertical Centerline of Door**		
R	5/32	.156	3.99
K	7-7/16	7.438	188.91
M	12-24†	—	—



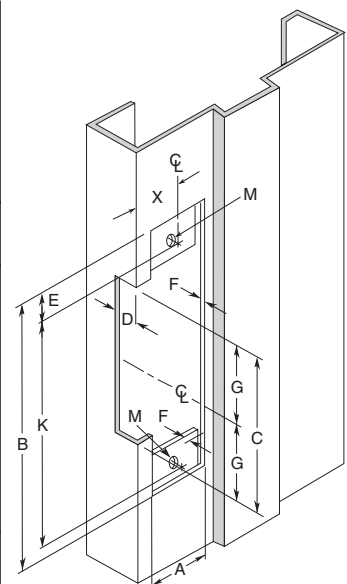
1614S Hollow Metal & Wood Frames, 1-3/16" D

MEASUREMENT	FRACTIONAL INCHES	DECIMAL INCHES	METRIC mm
A	1-1/4	1.250	31.75
B	4-7/8	4.875	123.83
C	3-3/8	3.375	85.73
D	1-3/16	1.188	30.18
E	3/8	.375	9.53
F	1/8*	.120*	3.05*
G	1-11/16	1.687	42.85
X	Vertical Centerline of Door**		
K	4-1/8	4.125	104.78
M	12-24†	—	—



1614L Hollow Metal & Wood Frames, 1-1/16" D

MEASUREMENT	FRACTIONAL INCHES	DECIMAL INCHES	METRIC mm
A	1-1/4	1.250	31.75
B	4-7/8	4.875	123.83
C	3-3/8	3.375	85.73
D	1-3/32	1.094	27.69
E	3/8	.375	9.53
F	1/8*	.120*	3.05*
G	1-11/16	1.687	42.85
X	Vertical Centerline of Door**		
K	4-1/8	4.125	104.78
M	12-24†	—	—



NOTE: Specifications subject to change without notice.

* **Dimension F** is measured from face of mounting tab to face of frame and equates to the thickness of the frame material.

** **Dimension X** on the drawing is determined by the vertical centerline of the door. If the latch incorporates a deadlocking pin additional steps will be necessary to ensure proper operation of the deadlocking pin. Measure the thickness of the deadlocking pin and add this thickness to Dimension X to relocate the vertical centerline an appropriate distance on the frame.

† For wood frame door installations, substitute #12 wood screws for dimension M.

1600 Series Installation Instructions (Continued)

Fail Unlocked

Rotate the adjustment screw so the dimple is fully rotated to opposite the faceplate side of the strike (fully counter clockwise). Your strike is now fail unlock and requires power to lock. See Fig. 1.

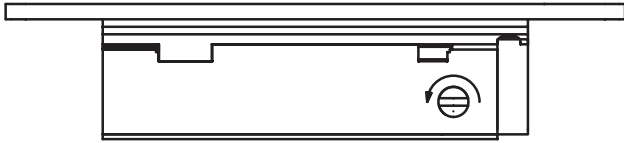


Fig. 1 Fail Unlocked = screw fully counter clockwise

Fail Locked

Rotate the adjustment screw so the dimple is fully rotated to the faceplate side of the strike (fully clockwise). Your strike is now fail locked and requires power to unlock the door. See Fig. 2.

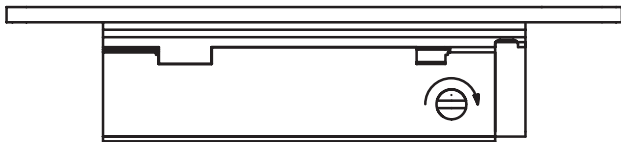


Fig. 2 Fail Locked = screw fully clockwise

Lip Bracket Adjustment

If your door or latch is out of adjustment, the insert can be adjusted forward or back as required for proper alignment to the latch. See Fig. 3

1. Remove the strike from the frame.
2. Remove the faceplate from the strike.
3. 2 screws secure the lip bracket to the main insert.
4. Loosen these screws approximately 1-1/2 to 2 full turns to allow the insert to move forward or backward as required.
5. Once the adjustment is made tighten all screws and reinstall the strike in the frame.

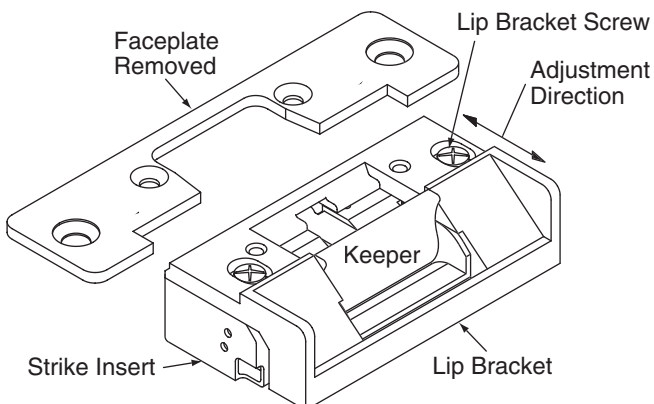


Fig. 3 Lip bracket adjustment

Wiring Instructions

Use the appropriate wire harness supplied.

12V for 12VDC & 12-24VAC

24V for 24VDC only

Attach the red wire to (+) positive of the power supply. Attach the black wire to the (-) negative of the of the power supply (see Fig. 4). If using AC power, polarity is not observed.

NOTE: If a suppression diode is required for access control, observe proper polarity.

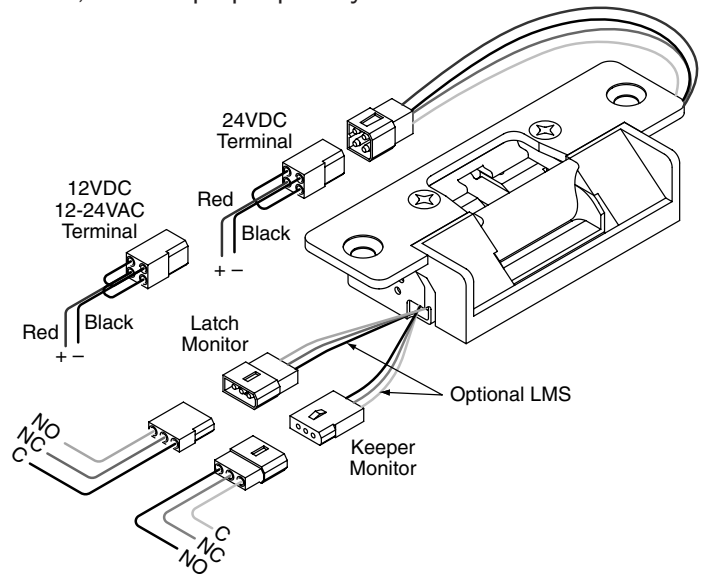


Fig. 4 Wiring the 1600 Series electric strike

Latch Monitor Wires

Black = Common (C)

Blue = Normally Close (NC)

Orange = Normally Open (NO)

Keeper Monitor Wires

Black = Common (C)

Yellow = Normally Closed (NC)

Green = Normally Open (NO)

When using LMS option:

If the lockset on the door has a 5/8" latch projection, you must use the 16L model.

If the lockset on the door has a 3/4" latch projection, you must use the 16S model.

NOTE: Contacts are indicated with the keeper in a closed and locked condition, with no latch present.

1600 Series Troubleshooting

Problem	Possible Causes	Solution
1. Strike will not lock or unlock properly	No power to the insert	Using a multimeter, confirm that you have the correct output voltage at the power supply. Using a multimeter, confirm that you have the correct input voltage at the strike. Confirm that all connections are tight and secure.
	Incorrect voltage used	Confirm that the insert and power supply are the proper voltage.
	Strike is binding	Confirm that the strike keeper functions when the door is open. If the strike operates correctly, adjust door or strike to eliminate any backpressure. Confirm that the strike cavity depth is compatible with the lock set.
2. Strike releases but won't buzz	Improper power supply	Replace the power supply with a correct voltage AC power supply, and the 12V connector. If this cannot be done, a DC piezo buzzer can be installed.
3. Strike makes a buzzing sound	Improper power supply	Replace the power supply with a correct voltage DC power supply.
	Improper application	A strike connected to an AC power supply will buzz unless a rectifier is installed.
4. Insert has a burnt smell	Improper voltage	Confirm that you have the correct output voltage at the power supply.
	Improper installation	Confirm that the correct connector was used when installing the strike 12V for 12VDC & 12-24VAC, 24V for 24VDC only. Confirm that all connections are tight and secure.
5. Mortise lock not dead latching	Improper Installation	Check alignment of dead latch and lip bracket ramp.
	Door has sagged	Adjust door alignment.
6. Cylindrical deadlatching not working	Improper Installation / Door has warped	Adjust the strike horizontal adjustment. (See Installation Instructions).
7. Door won't latch	Door has warped or sagged creating excessive back pressure	Re-align door in frame or replace.
8. Monitor switch is not functioning	Short in wiring	Confirm that all connections are tight and secure. Using a multimeter confirm continuity of the N/O & N/C sides of the switch.
	Latch or keeper are not functioning properly	Confirm that the keeper is closing properly and that the lever in the strike cavity is operating freely.