

# 1300 Series

## Mortise Electric Deadbolt Lock

- **Dual-Voltage 12 or 24 VAC/VDC**
- **Complete array of options**
- **Compact Design**
- **Lifetime Warranty**



### Description

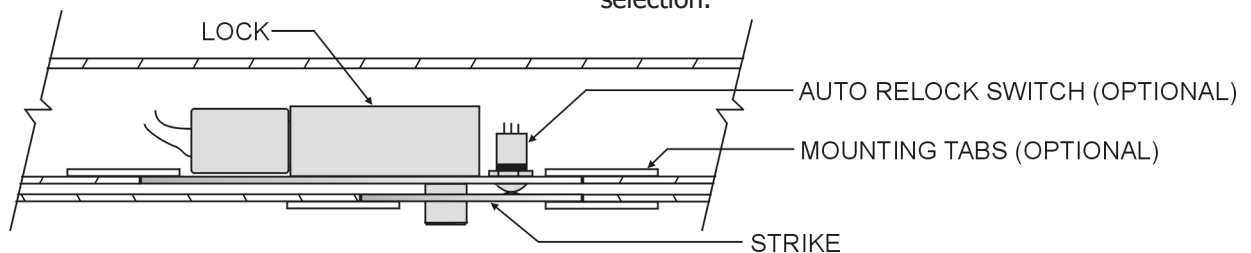
The 1300 mortise electric deadbolt is designed for concealed mounting in areas where conventional locks do not fit. A mounting depth of only 1-5/8" and the ability to install in door or frame regardless of position, make the 1300 the obvious choice for difficult installations. The lock is silent, rated continuous duty, and fail-safe. Not recommended on wood door installations or to be used with panic devices.

### Models

**1300** ELECTRIC DEADBOLT

### Standard Features

- **Dual Voltage:** Power input is installer-configurable for 12 or 24 VAC/VDC input.
- **Fail Safe:** Bolt extends only when power is applied and lock is energized. Interruption of power causes the bolt to automatically spring retract.
- **Narrow 1 5/8" Backset:** Compact design allows for installation where most deadbolt locks cannot.
- **Versatile Mounting:** Mounts in header or lock jamb plus top, vertical, or bottom door stile when power is transferred to the door.
- **Status Monitoring:** Optional built-in door and/or bolt position status reporting with a choice of concealed or visible sensors.
- **Silent:** No buzzing when energized.
- **Continuous Duty:** Heavy duty low voltage solenoid is designed to withstand continuous duty operation. Built-in rectifier allows AC or DC voltage input.
- **Circuit Board:** Built-in to simplify wiring and option selection.



# 1300 Series Electric Deadbolt Lock

## Options

- ARSB** AUTO-RELOCK SWITCH - Ball Type. Switch that insures the deadbolt will only project when the door is in the closed position.
- ARSM** AUTO-RELOCK SWITCH - Concealed. Switch with similar function as ARSB. Not recommended for steel doors.
- BPS** BOLT POSITION SWITCH - SPDT switch signals a bolt extended or bolt retracted condition. Popular uses include door interlocks and synchronizing bolt position with door location when using automatic door equipment.
- DPSB** DOOR POSITION SWITCH - Ball Type. SPDT switch signals a door closed/door ajar condition to a remote location. Useful for door interlocking.
- DPSM** DOOR POSITION SWITCH - Concealed. SPDT proximity type switch similar function as DPSB. Not recommended for steel doors.
- MB** MOUNTING BRACKET - 1 set (4 pieces) of predrilled mounting tabs to facilitate lock mounting when cutting into an existing metal frame.

## Specifications

### MECHANICAL

Lock Front:	Size	1 $\frac{1}{2}$ " x 8" x $\frac{1}{8}$ "
	Material	Aluminum
Strike:	Size	1- $\frac{1}{2}$ " x 4" x $\frac{1}{8}$ "
	Material	Aluminum
Bolt:	Size	$\frac{3}{4}$ " Diameter x $\frac{3}{4}$ " Throw
	Material	Stainless Steel
Finish:		US28 Satin Aluminum with clear anodize

Mounting Hardware: (8) #10 PNHD SST SMS 1" Long

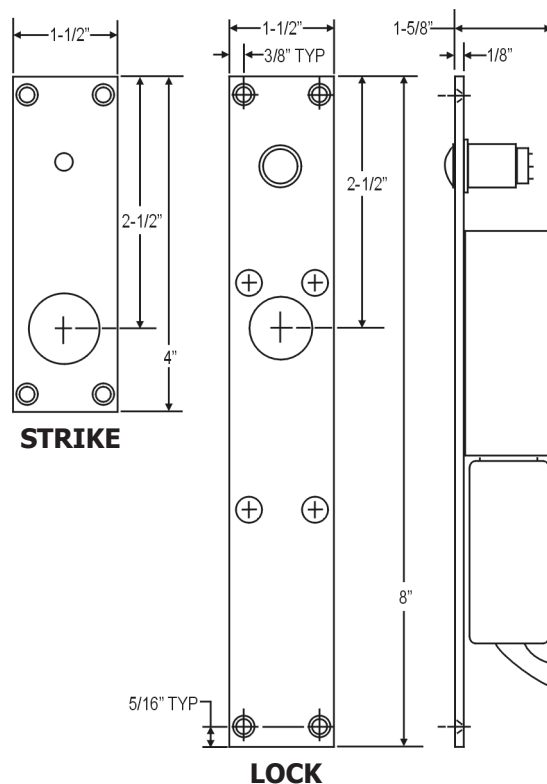
Weight: 2 Lbs.

### ELECTRICAL

Solenoid:	Voltage	12VDC/VAC or 24VDC/VAC
	Current	0.85A @ 12V 0.45A @ 24V
	Continuous Duty	

Relay Contacts:

BPS	SPDT	4A @ 24V
DPSB	SPDT	4A @ 24V
DPSM	SPDT	0.25A @ 24V



**\*NOT RECOMMENDED FOR INSTALLATION IN WOOD DOORS.**

**DYNALOCK CORPORATION**  
705 EMMETT STREET / PO BOX 2728  
BRISTOL, CT 06011-2728  
PHONE: 877-DYNALOCK / FAX: 860-585-0338  
E-MAIL: INFO@DYNALOCK.COM  
WEBSITE: WWW.DYNALOCK.COM

Featuring  
  
**DynaLife**<sup>®</sup>  
Lifetime Warranty