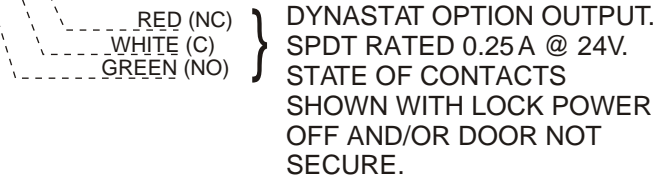
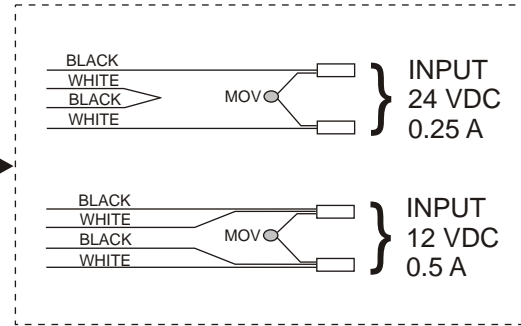


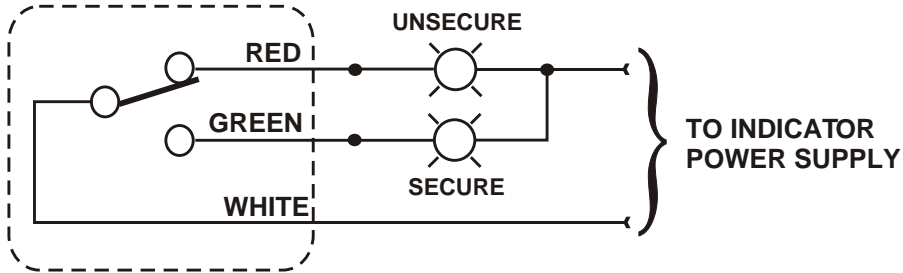
SERIES #2600 MORTISE ELECTROMAGNETIC LOCK



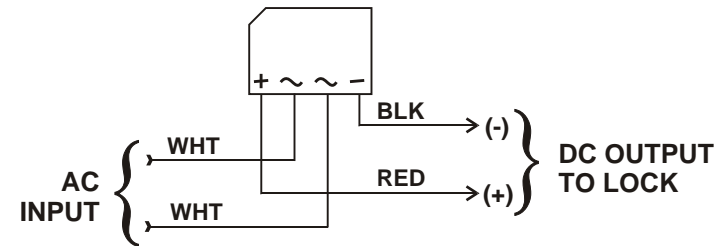
NOTES:

1. INPUT POWER HOOK-UP IS NOT POLARITY SENSITIVE.
2. DYNASTAT FORCE SENSOR OPTION (DYN) INDICATES TRUE SECURE/UNSECURE STATUS OF LOCK.
3. FOR AC OPERATION, USE DYNALOCK RECTIFIER PART #7088.

DYNASTAT (DYN) TYPICAL WIRING



#7088 RECTIFIER WIRING



DynaLock Corporation
 705 Emmett Street • Bristol, CT 06010
 Tel: (860) 582-4761 • Fax: (860) 585-0338

Wiring Instructions

DRWN: MJL Date: 08/02/06
 CHK'D: Date:
 CHK'D: Date:
 APPV'D: JAS Date: 08/02/06

Title: SERIES #2600 MORTISE ELECTROMAGNETIC
 LOCK, GENERAL WIRING INFORMATION

Page 1 Of 1 Scale: — Size: A Drawing #: 900276 REV: B