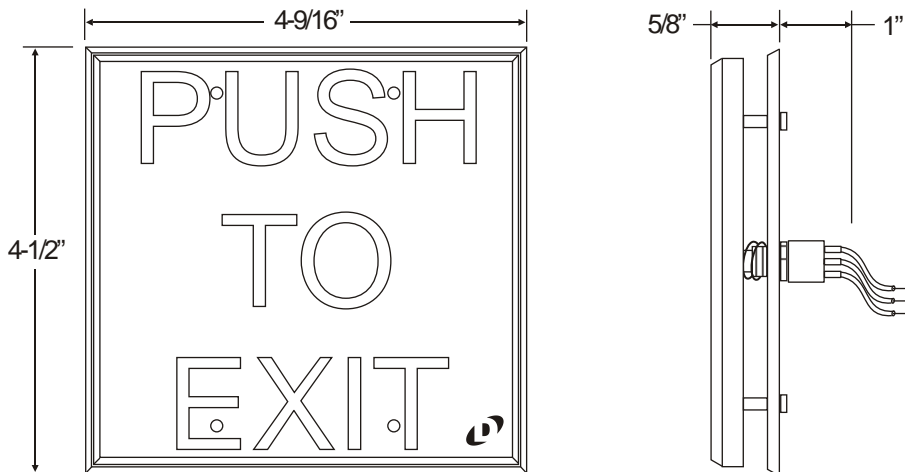


SPECIFICATIONS



DYNALOCK MODEL #6931 / 6941 PUSHPLATE FEATURES:

DOUBLE GANG RED ANODIZED ALUMINUM PUSHPLATE WITH "PUSH TO EXIT" ENGRAVED SIGNAGE: WHITE, 1" HEIGHT, 1/8" STROKE

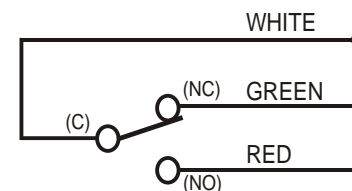
7" COLOR-CODED #18AWG WIRE LEAD TERMINATIONS.

6931 - SPDT / MOMENTARY CONTACTS, RATED 6 AMPS @ 125VAC

6941 - DPDT / MOMENTARY CONTACTS, RATED 6 AMPS @ 125VAC

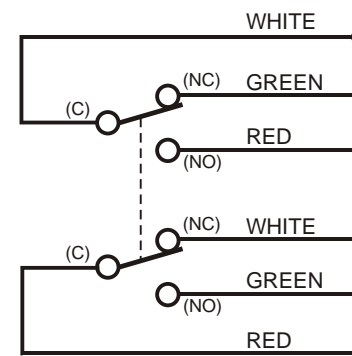
WIRING INFORMATION

MODEL #6931



SPDT MOMENTARY CONTACTS RATED 6 AMPS @ 125VAC

MODEL #6941



DPDT MOMENTARY CONTACTS RATED 6 AMPS @ 125VAC



DynaLock Corporation
705 Emmett Street • Bristol, CT 06010
Tel: (860) 582-4761 • Fax: (860) 585-0338

Installation Instructions

DRWN: MJL Date: 10/29/07

CHK'D: Date:

CHK'D: Date:

APPV'D: Date:

Title: **6931 / 6941 PUSHPLATE DOUBLE GANG**

Page 1 Of 1

Scale: —

Size: A

Drawing #: **600353**

REV: —