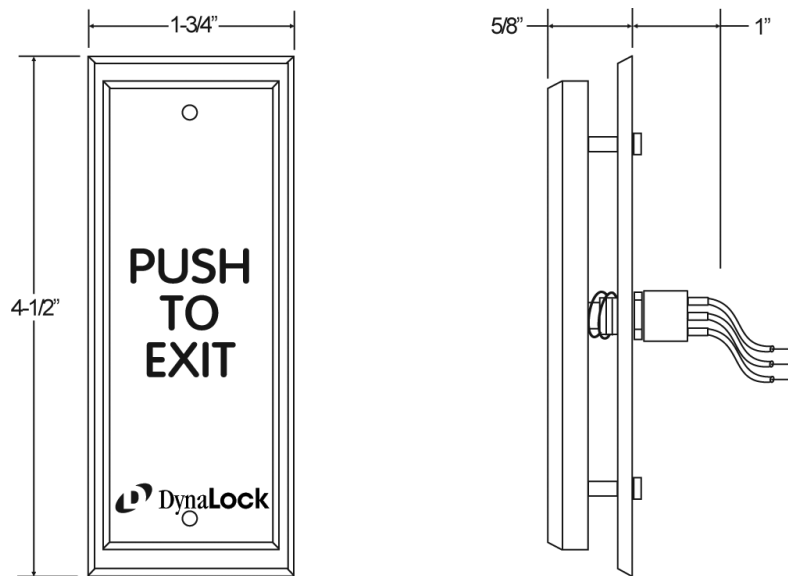


SPECIFICATIONS



DYNALOCK MODEL #6830 / 6840 PUSHPLATE FEATURES:

1-1/2" x 4" SOLID ALUMINUM PUSHPLATE WITH "PUSH TO EXIT" ENGRAVED SIGNAGE.

NARROW MULLION STYLE SOLID ALUMINUM FACEPLATE.

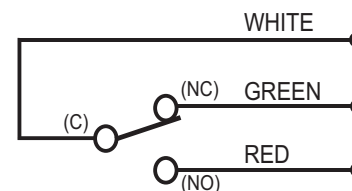
7" COLOR-CODED #18AWG WIRE LEAD TERMINATIONS.

6830 - SPDT / MOMENTARY CONTACTS, RATED 6 AMPS @ 125VAC

6840 - DPDT / MOMENTARY CONTACTS, RATED 6 AMPS @ 125VAC

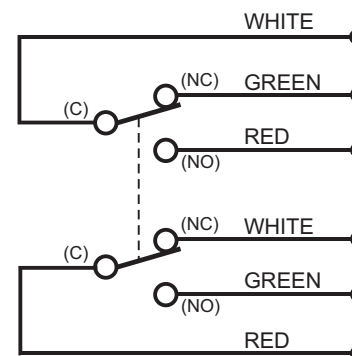
WIRING INFORMATION

MODEL #6830



SPDT MOMENTARY CONTACTS RATED 6 AMPS @ 125VAC

MODEL #6840



DPDT MOMENTARY CONTACTS RATED 6 AMPS @ 125VAC



DynaLock Corporation
705 Emmett Street • Bristol, CT 06010
Tel: (860) 582-4761 • Fax: (860) 585-0338

Installation Instructions

DRWN: MJL Date: 02/20/06

CHK'D: JAS Date: 02/20/06

CHK'D: Date:

APPV'D: JAS Date: 02/20/06

Title: **6830 / 6840 PUSHPLATE NARROW**

Page 1 of 1

Scale: —

Size: A

Drawing #: **600308**

REV: —