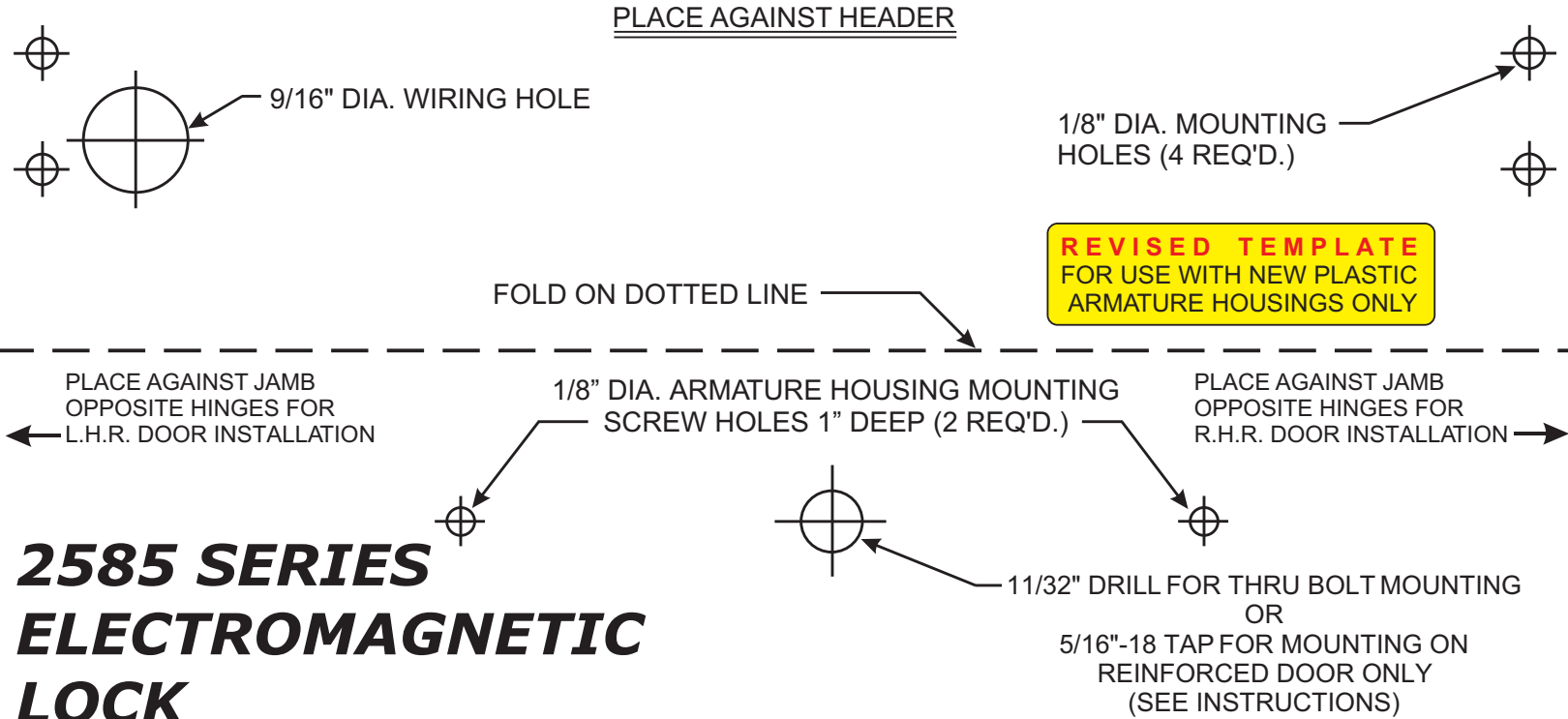
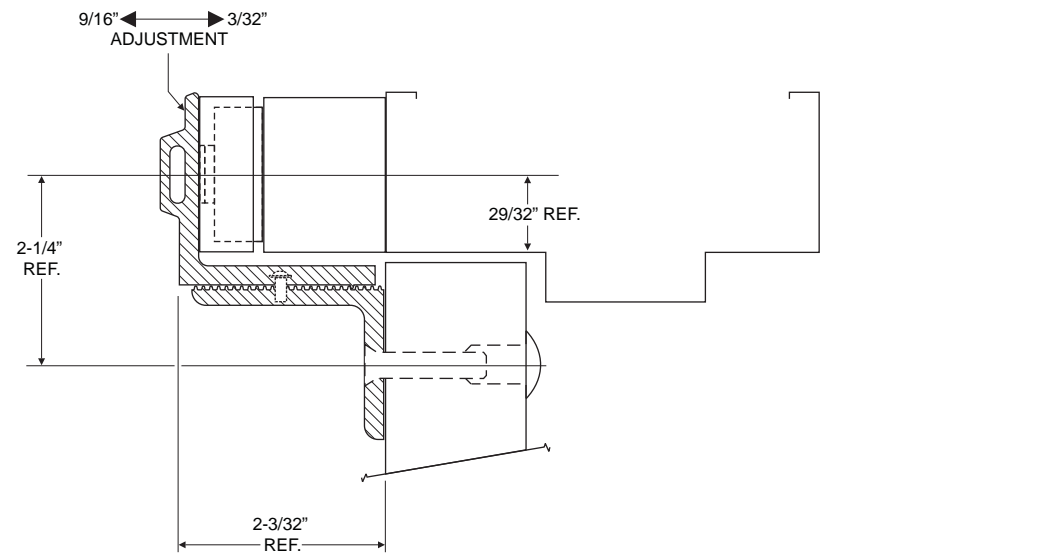




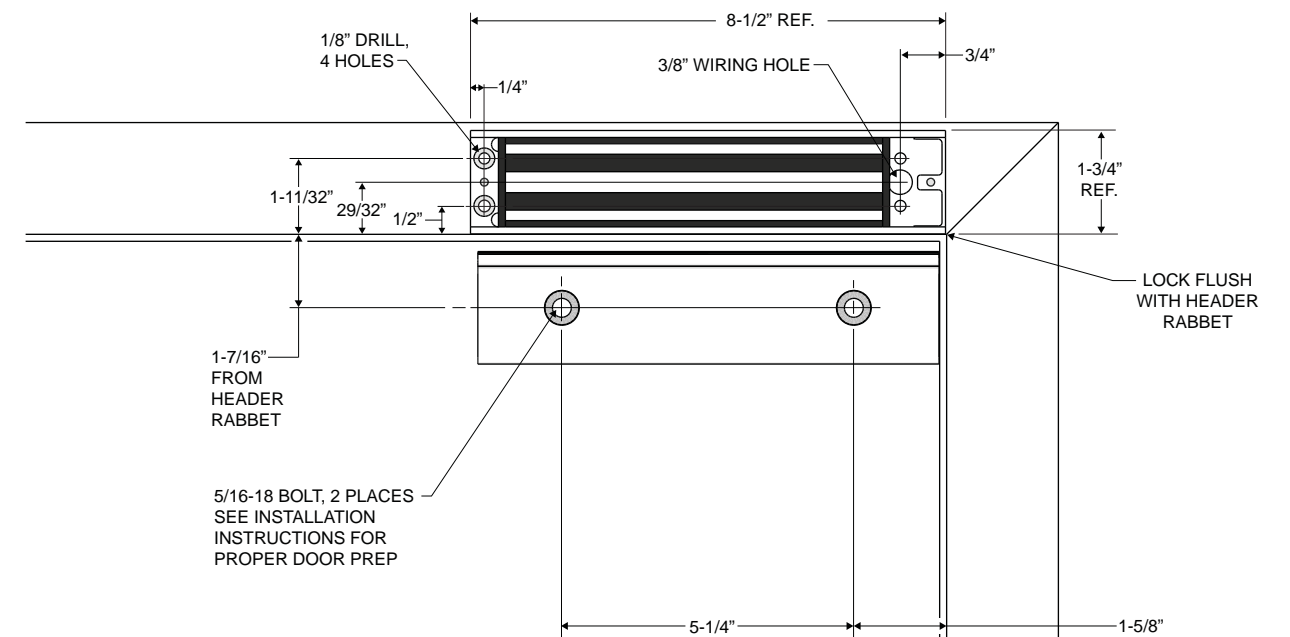
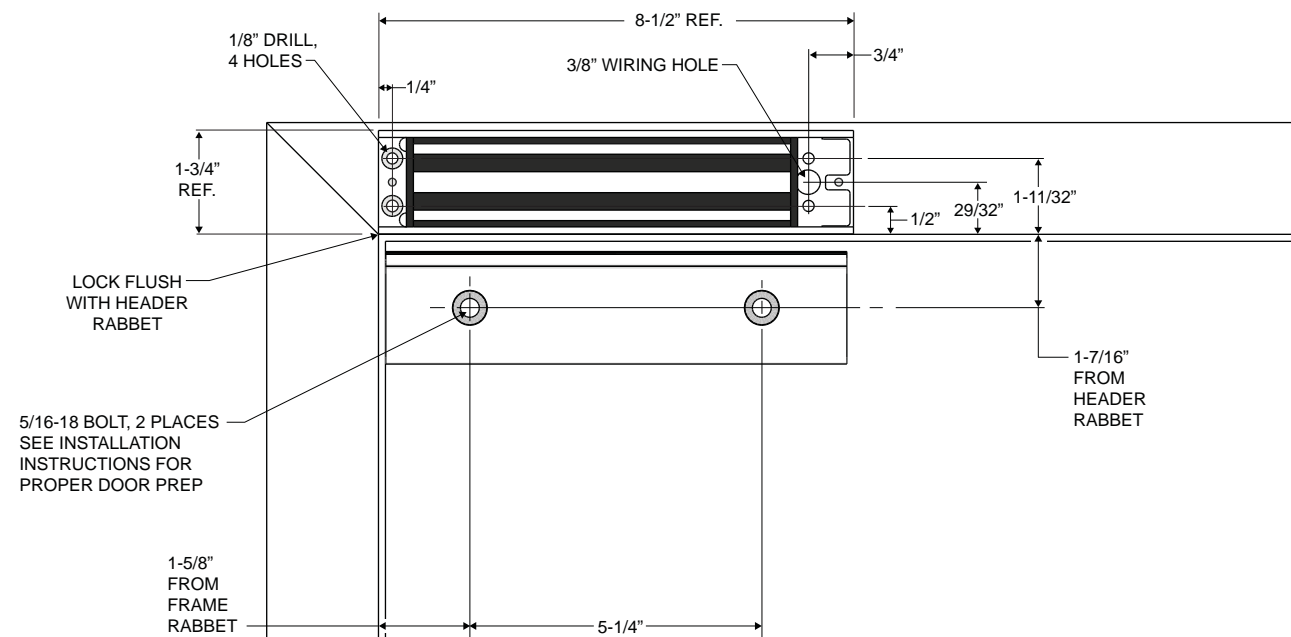
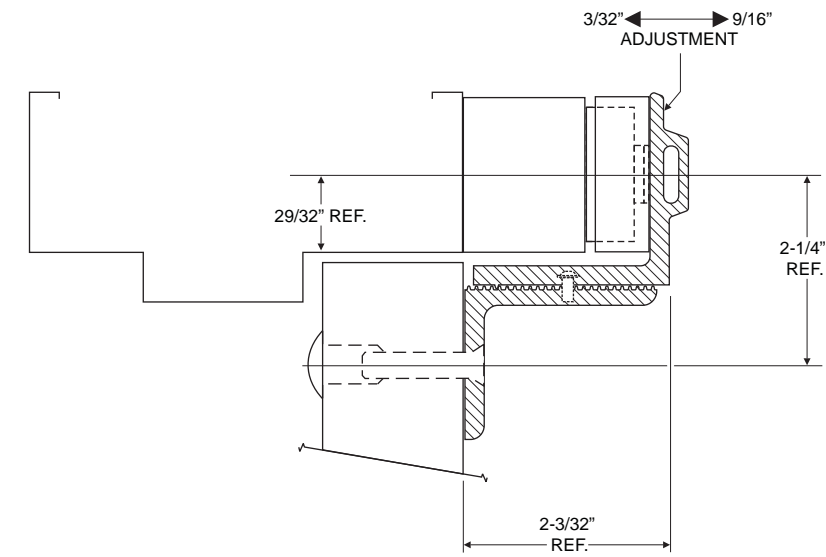
Emergency Tech Support is available Monday - Friday, 5:00PM-8:00PM (EST)
By Calling: Mike @ (860) 637-2394 or Glen @ (860) 637-2599



LEFT HAND DOOR PREP



RIGHT HAND DOOR PREP



HINGE SIDE OF DOOR →

← HINGE SIDE OF DOOR

NOTE:
 ABOVE INFORMATION IS FURNISHED TO IDENTIFY HOLE LOCATIONS. SEE INSTALLATION INSTRUCTIONS FOR DOOR AND FRAME PREPARATION.



DynaLock Corporation
 705 Emmett Street • Bristol, CT 06010
 Tel: (860) 582-4761 • Fax: (860) 585-0338

Template Drawing

DRWN:	MJL	Date:	1/03/08
CHK'D:	JAS	Date:	1/09/08
CHK'D:	MJL	Date:	1/10/08
APPV'D:	JAS	Date:	1/10/08

Title:		2585xTJ SINGLE INSWING MAGLOCK TEMPLATE DRAWING	
Page	Scale:	Size:	Drawing #:
1 Of 1	—	B	301372
REV:			