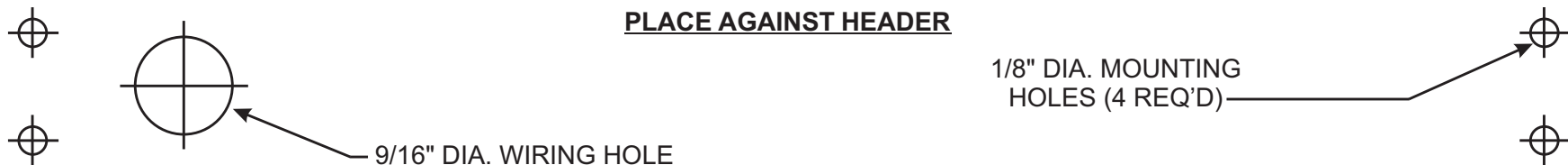




Emergency Tech Support is available Monday - Friday, 5:00PM-8:00PM (EST)

By Calling: Mike @ (860) 637-2394 or Glen @ (860) 637-2599



FOLD ON DOTTED LINE

REVISED TEMPLATE
FOR USE WITH NEW PLASTIC
ARMATURE HOUSINGS ONLY

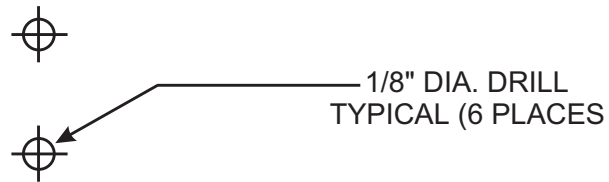
PLACE AGAINST JAMB
OPPOSITE HINGES FOR
L.H.R. DOOR INSTALLATION ←

1/8" DIA. ARMATURE HOUSING MOUNTING
SCREW HOLES 1" DEEP (2 REQ'D.)

PLACE AGAINST JAMB
OPPOSITE HINGES FOR
R.H.R. DOOR INSTALLATION →

2511 SERIES ELECTROMAGNETIC LOCK

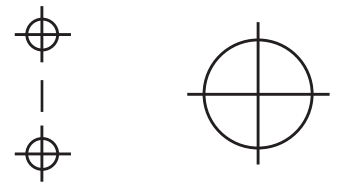
11/32" DRILL FOR THRU BOLT MOUNTING OR
5/6"-18 TAP FOR MOUNTING ON REINFORCED DOOR ONLY



1/8" DIA. DRILL
TYPICAL (6 PLACES)



9/16" DIA. WIRING HOLE
TYPICAL (2 PLACES)



FOLD ON DOTTED LINE

REVISED TEMPLATE
FOR USE WITH NEW PLASTIC
ARMATURE HOUSINGS ONLY



1/8" DIA. ARMATURE HOUSING MOUNTING
SCREW HOLES 1" DEEP (2 REQ'D.)

PLACE ON CENTERLINE
OF DOOR OPENING

2522 SERIES ELECTROMAGNETIC LOCK



1/8" DIA. ARMATURE HOUSING MOUNTING
SCREW HOLES 1" DEEP (2 REQ'D.)

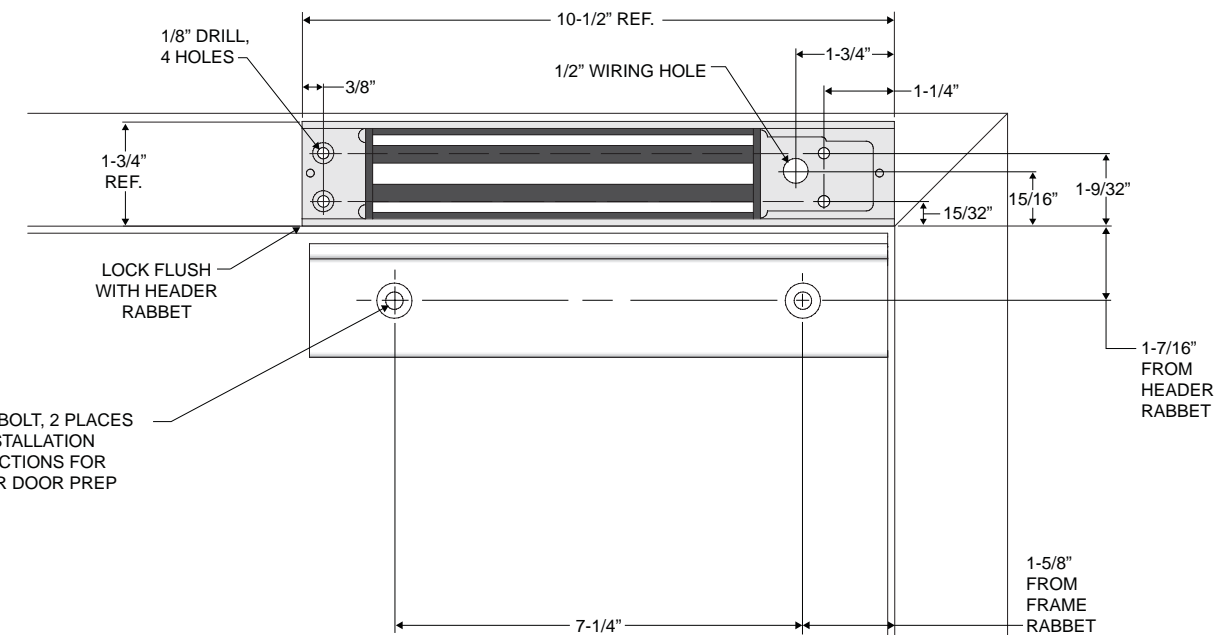
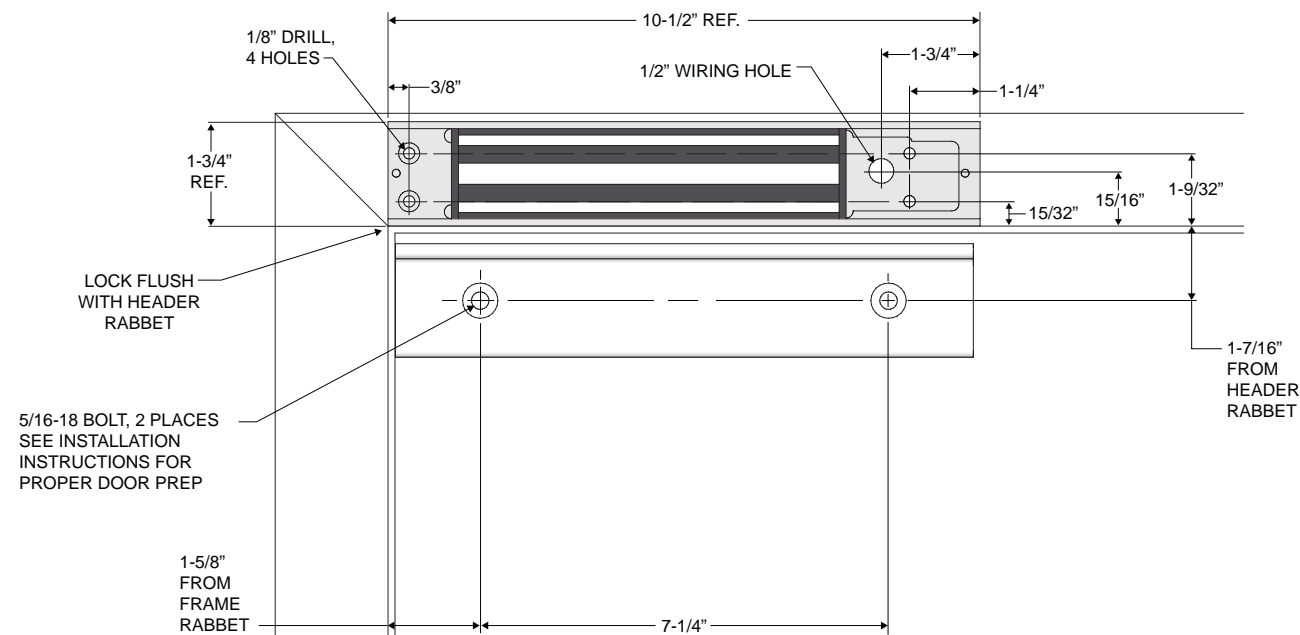
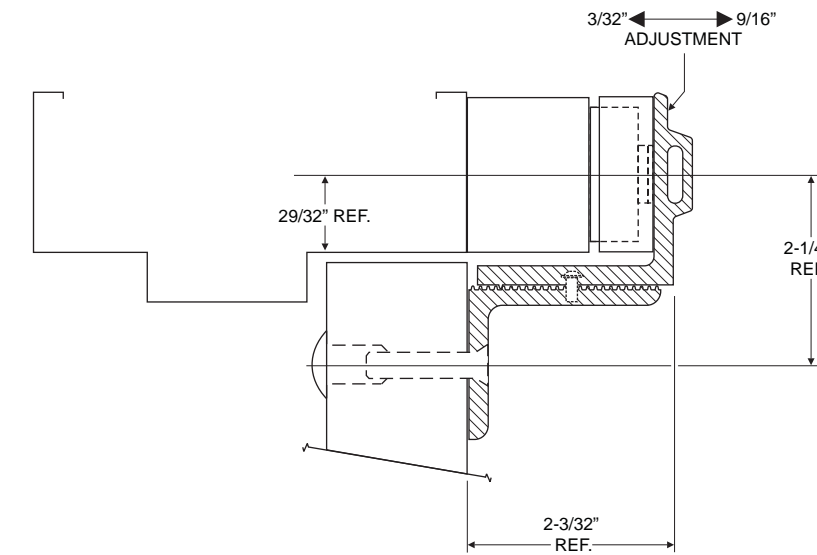
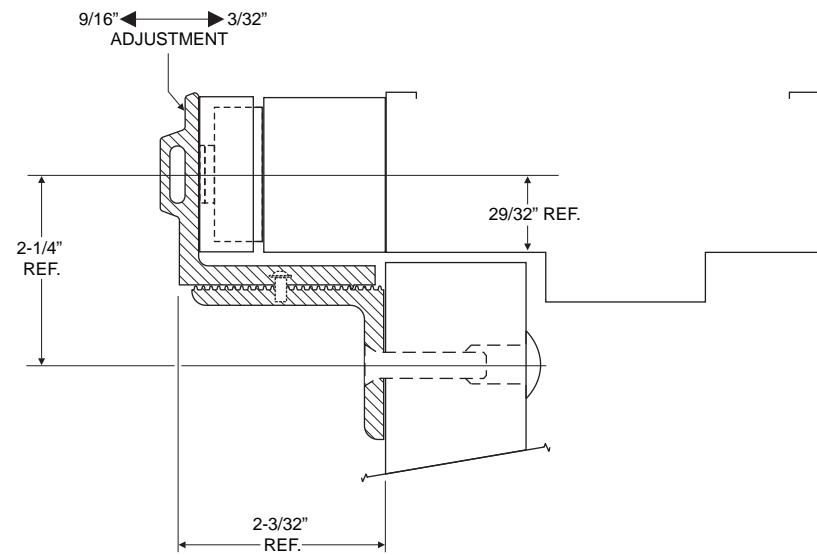
11/32" DRILL FOR THRU BOLT MOUNTING OR
5/6"-18 TAP FOR MOUNTING ON REINFORCED DOOR ONLY

11/32" DRILL FOR THRU BOLT MOUNTING OR
5/6"-18 TAP FOR MOUNTING ON REINFORCED DOOR ONLY

LEFT HAND DOOR PREP

**REVISED TEMPLATE
FOR USE WITH NEW PLASTIC
ARMATURE HOUSINGS ONLY**

RIGHT HAND DOOR PREP



HINGE SIDE OF DOOR →

← HINGE SIDE OF DOOR

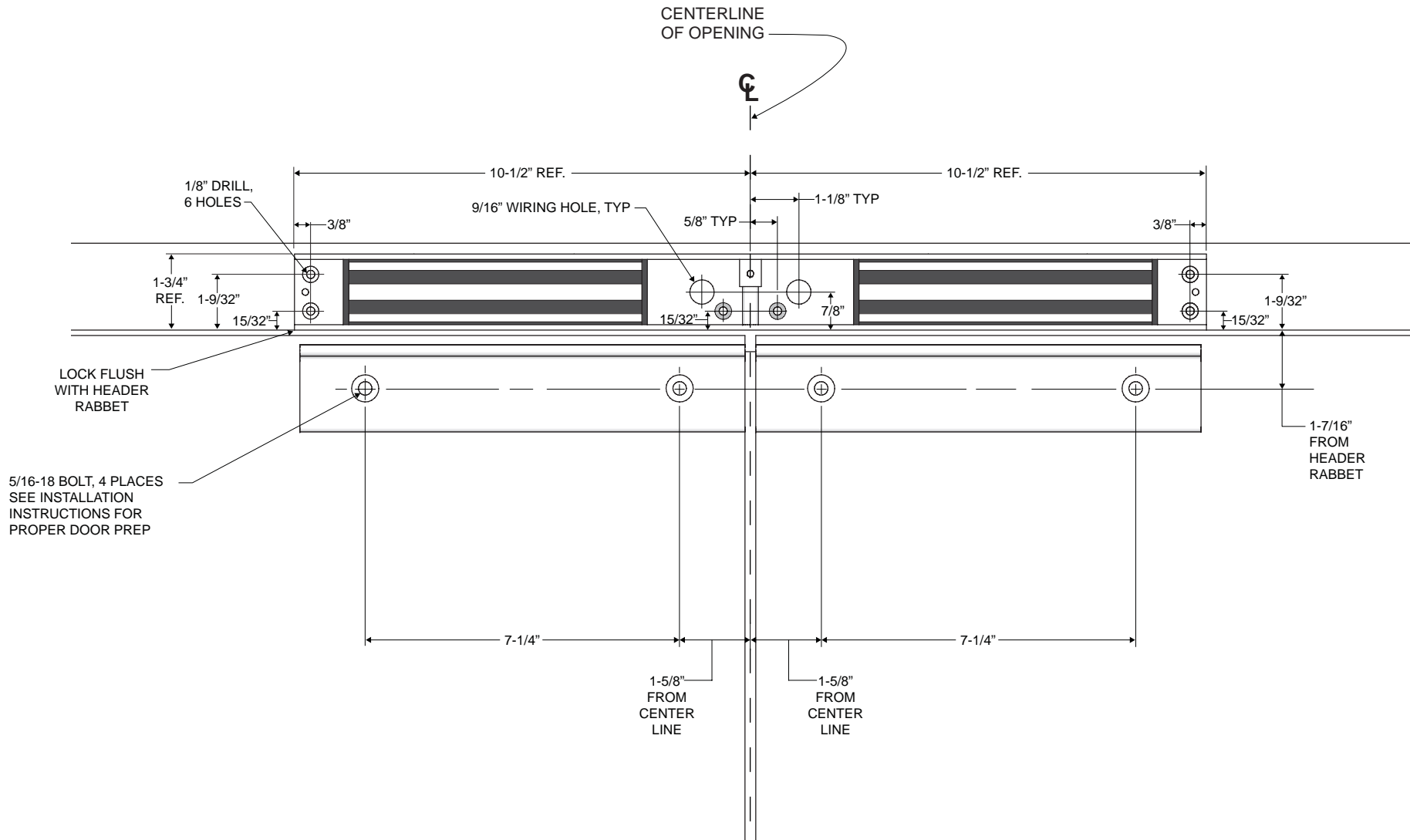
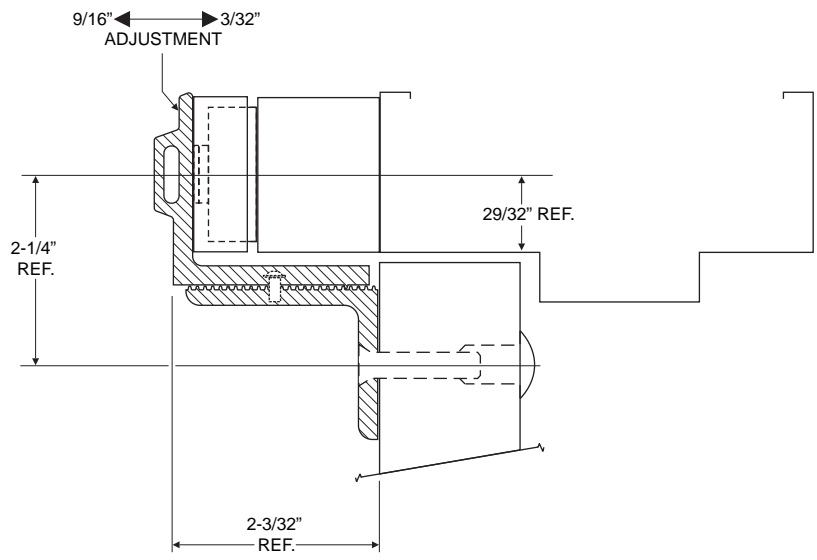
NOTE:
ABOVE INFORMATION IS FURNISHED TO IDENTIFY HOLE LOCATIONS. SEE INSTALLATION INSTRUCTIONS FOR DOOR AND FRAME PREPARATION.

DynaLock
DynaLock Corporation
705 Emmett Street • Bristol, CT 06010
Tel: (860) 582-4761 • Fax: (860) 585-0338

*Template
Drawing*

DRWN: MJL	Date: 02/01/07	Title: 2511xTJ SINGLE INSWING MAGLOCK TEMPLATE DRAWING	
CHK'D: MJL	Date: 02/15/07	Page: 1 Of 1	Scale: —
APPV'D:	Date:	Size: B	Drawing #: 301310
			REV: A

**REVISED TEMPLATE
FOR USE WITH NEW PLASTIC
ARMATURE HOUSINGS ONLY**



NOTE:
ABOVE INFORMATION IS FURNISHED TO IDENTIFY HOLE
LOCATIONS. SEE INSTALLATION INSTRUCTIONS FOR DOOR AND
FRAME PREPARATION.

DynaLock
DynaLock Corporation
705 Emmett Street • Bristol, CT 06010
Tel: (860) 582-4761 • Fax: (860) 585-0338

*Template
Drawing*

DRWN:	MJL	Date:	02/06/07
CHK'D:	MJL	Date:	02/15/07
CHK'D:		Date:	
APPV'D:		Date:	

Title: 2522xTJ DOUBLE INSWING MAGLOCK TEMPLATE DRAWING			
Page	Scale:	Size:	Drawing #:
1 Of 1	—	B	301312
REV:			